

Non e permesso copiare, o terzi o riprodurre questo documento, ne utilizzare il contenuto o renderlo comunque noto o terzi senza autorizzazione esplicita. Ogni infrazione costituisce un evidente abuso e comportera il risarcimento dei danni subiti. E' fatta riserva di tutti i diritti derivanti da brevetti o modelli.

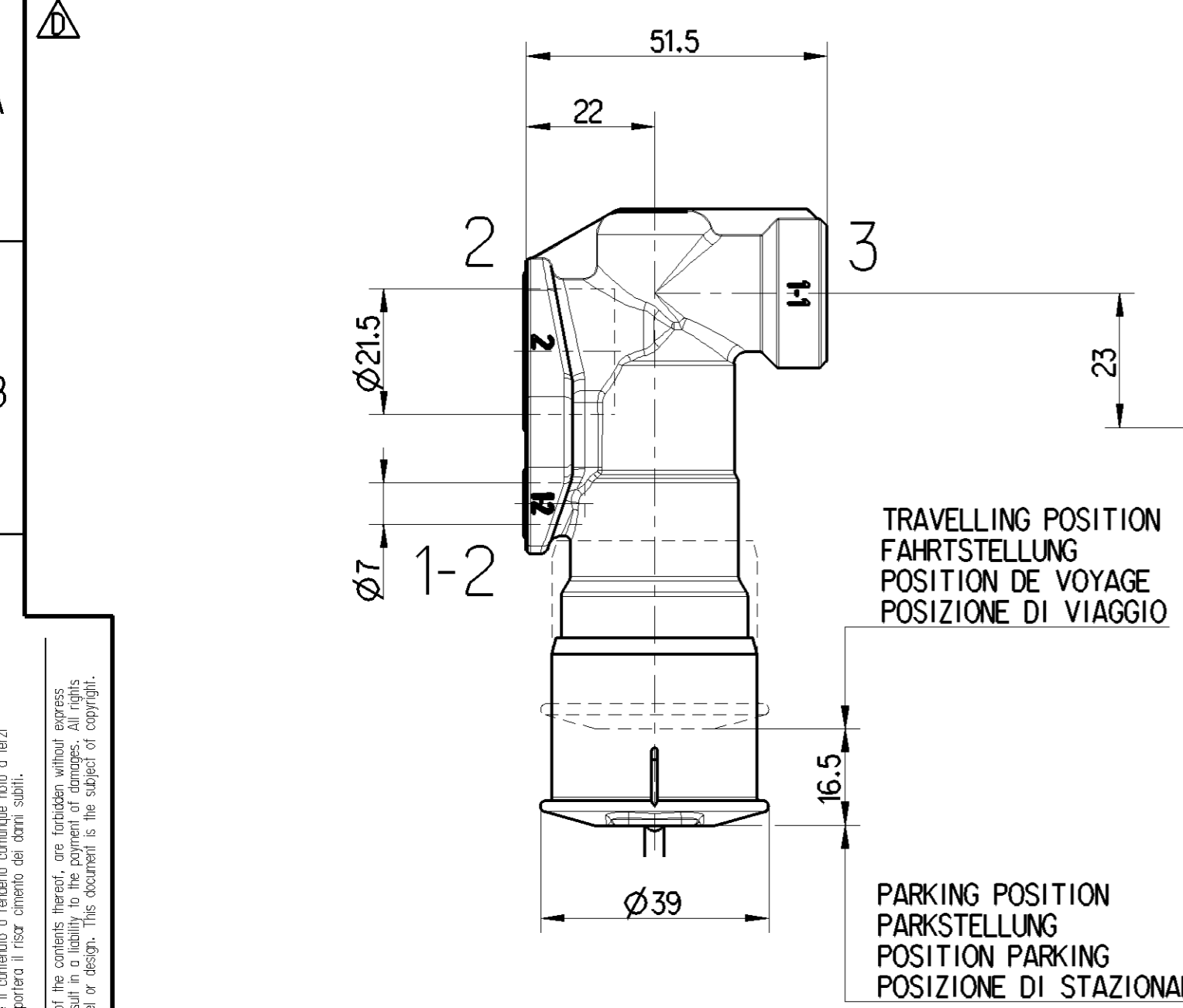
Copying of this document and giving it to others and the use or communication of the contents thereof, are forbidden without express authority. Contravention of this restriction will constitute an evident abuse and result in a liability to the payment of damages. All rights are reserved in the event of the grant of patent or registration of a utility model or design. This document is the subject of copyright.

Tous droits de propriete industrielle reserves, notamment en matiere de brevets et de modesles.

Wskazanie swego wykorzystania tego dokumentu, bez zgody producenta, jest zabronione. Wszelkie naruszenia, bez wyjatku, sa surowo zakazane. Wszelkie naruszenia, bez wyjatku, sa surowo zakazane. Wszelkie naruszenia, bez wyjatku, sa surowo zakazane.

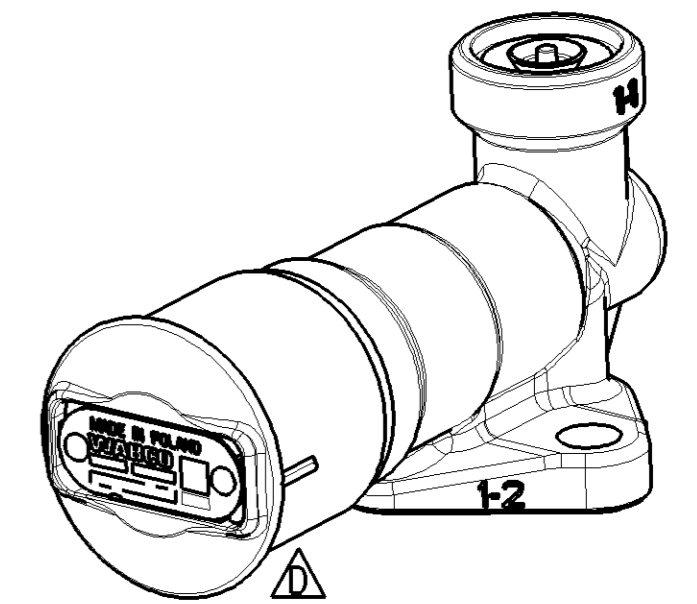
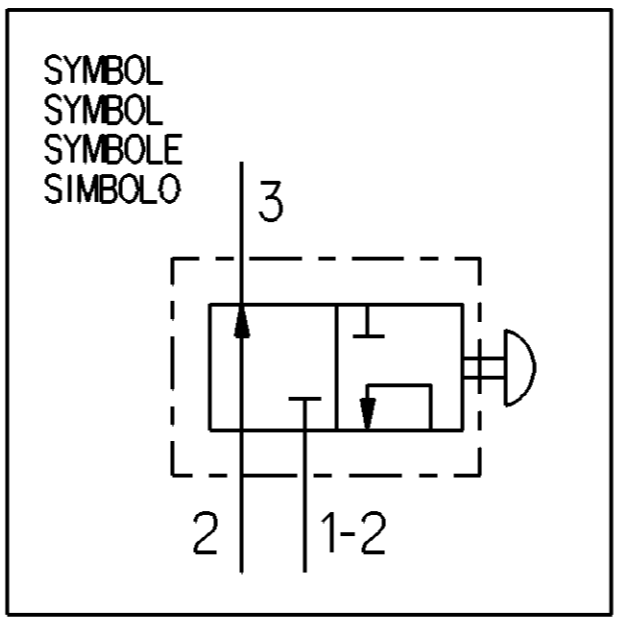
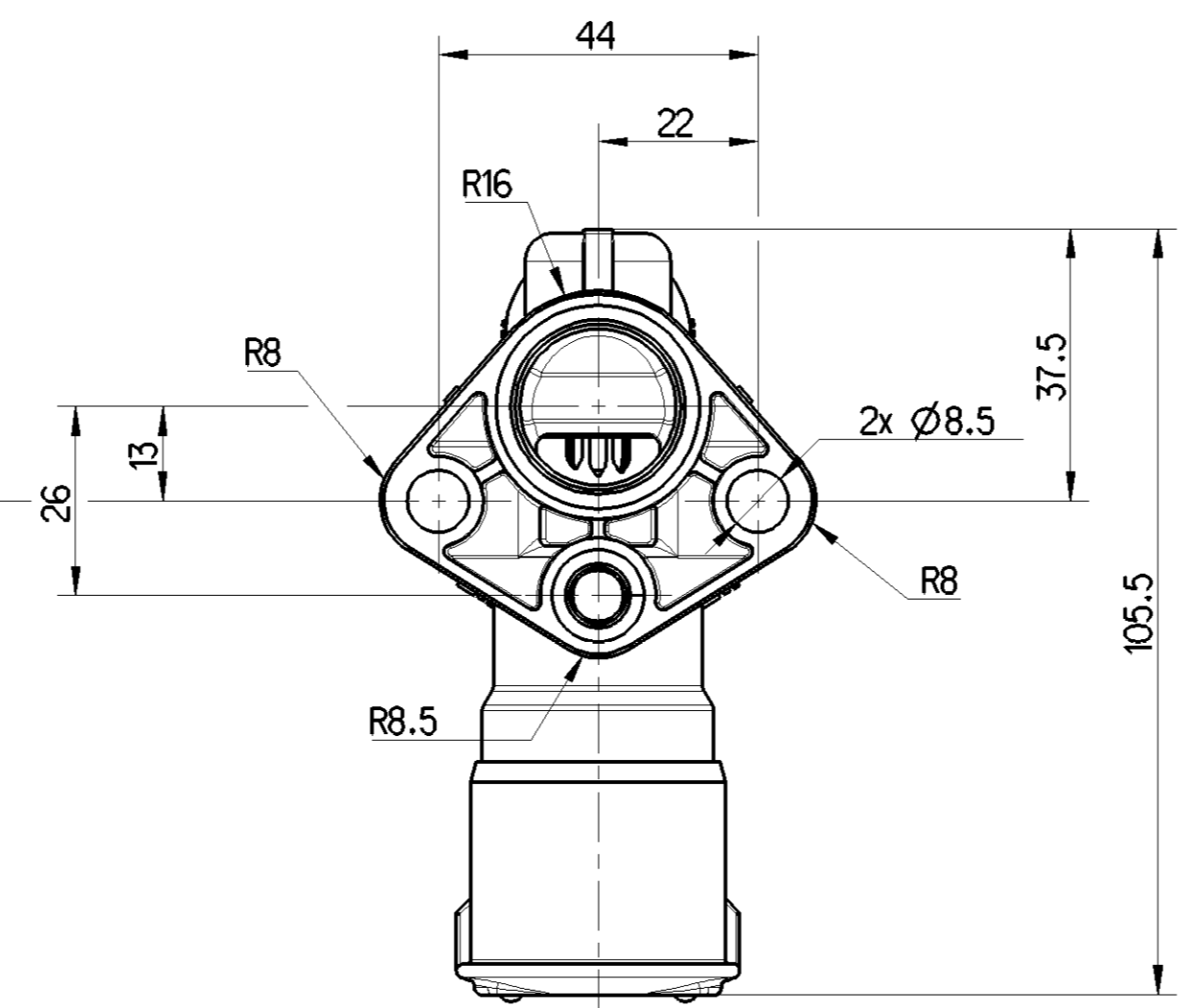
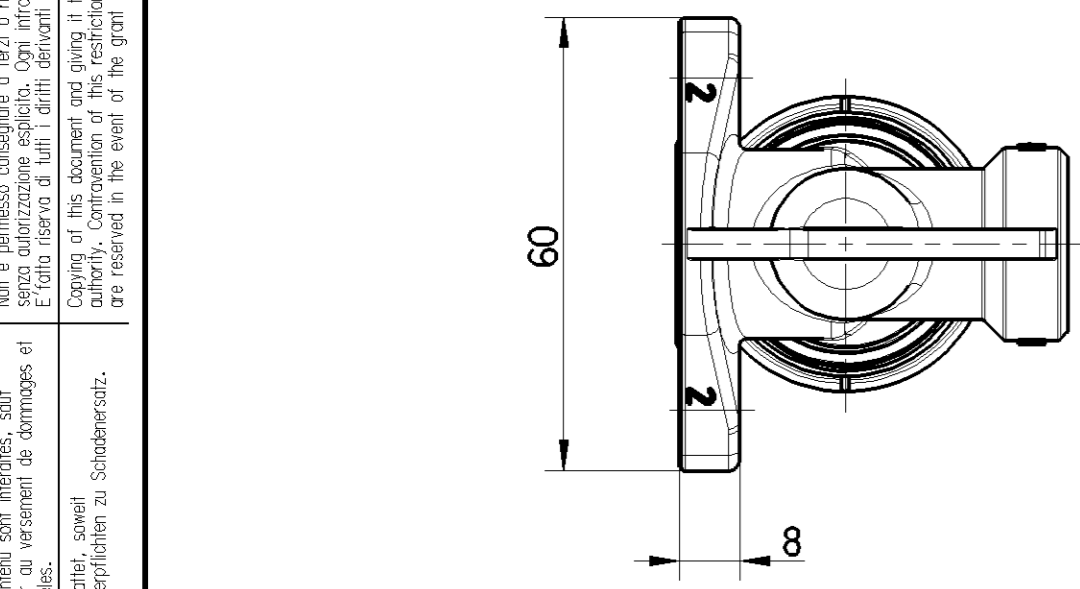
Alle Rechte fuer den Fall der Patenterteilung oder Gebrauchsmuster-Eintragung vorbehalten.

<C> CUSTOMER INTERFACE 0



TRAVELLING POSITION
FAHRTSTELLUNG
POSITION DE VOYAGE
POSIZIONE DI VIAGGIO

PARKING POSITION
PARKSTELLUNG
POSITION PARKING
POSIZIONE DI STAZIONAMENTO



MAXIMUM WORKING PRESSURE MAXIMALER BETRIEBSDRUECK PRESSION D'UTILISATION MAXIMALE PRESSIONE DI ESERCIZIO MASSIMO		8.5 bar
THERMAL RANGE OF APPLICATION THERMISCHER ANWENDUNGSBEREICH GAMME D'APPLICATION THERMIQUE CAMPO TERMICO D'APPLICAZIONE		-40°...+80°C
1-2	AIR RESERVOIR LUFTBEHAELTER RESERVOIR D'AIR SERBATOIO D'ARIA	2 SPRING BRAKE CYLINDER FEDERSPEICHERZYLINDER CYLINDRE A RESSORT CILINDRO A MOLLA
3	AIR EXHAUST ENTLUEFTUNG ECHAPPEMENT SCARICO	MEDIUM : AIR MEDIUM : LUFT FLUIDE : AIR FLUIDO : ARIA
WORKING POSITION: UNIMPORTANT EXCEPT EXHAUST AT THE TOP EINBAULAGE: BELIEBIG AUSGENOMMEN ENTLUEFTUNG NACH OBEN POSITION DE FONCTIONNEMENT: INDIFFERENTE SAUF ECHAPPEMENT VERS LE HAUT POSIZIONE DI FUNZIONAMENTO: INDIFFERENTE ECCEETTO SCARICO VERSO L'ALTO		

General Specification: ISO 8015, JED-334-1, Size ISO 14405 LP		Copyright WABCO®		WABCO	
Further Technical Data:		Date	Signature	TRAILER RELEASE VALVE ANHAENGER LOESEVENTIL VALVE DE DESSERRAGE DE REMORQUE VALVOLA DI SFRENTATURA RIMORCHIO	
Doc. Code:	Sheet: To	2023-05-17	Balago	Date of first issue: 1999-09-16	
General Tolerances JED-261		Checked	Szysko	Doc.Code	Language
Class 1)	Range of nominal dimensions in mm	Dimensions in mm		005	ML
Fine X	≤ 50 ±0.5 > 50 ≤ 180 ±1 > 180 ≤ 400 ±1.5 > 400 ±2	Mass	Scale	963 001 016 0	Sheet
Medium		0.127	1:1	1/1	
Coarse	±1 ±2 ±3 ±4	Size	CAD System	ECN-No. Revision Techn. Resp. Replacement for	
Tapped Holes acc. JED-152		A 2	CREO	513198	3 x D
1) Tolerance Class Applied Crossmarked				100mm	