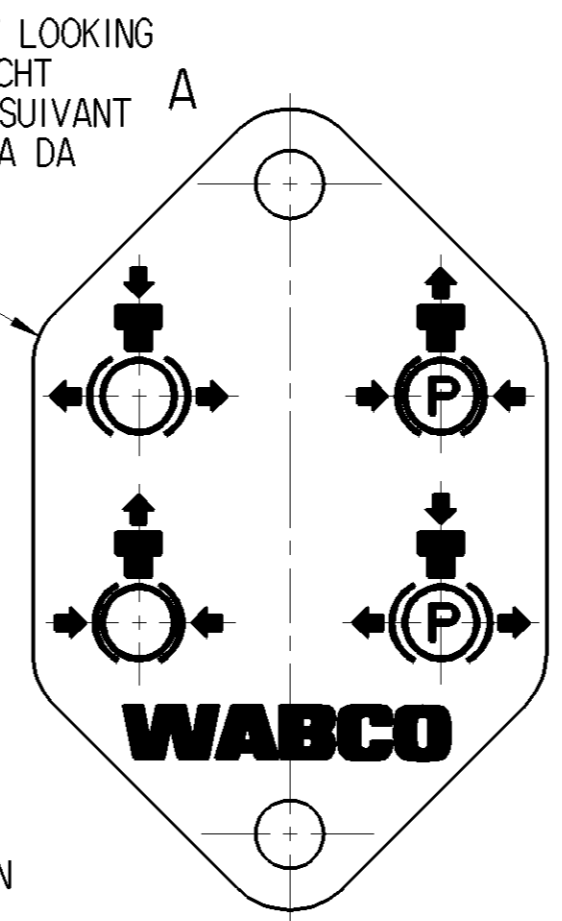
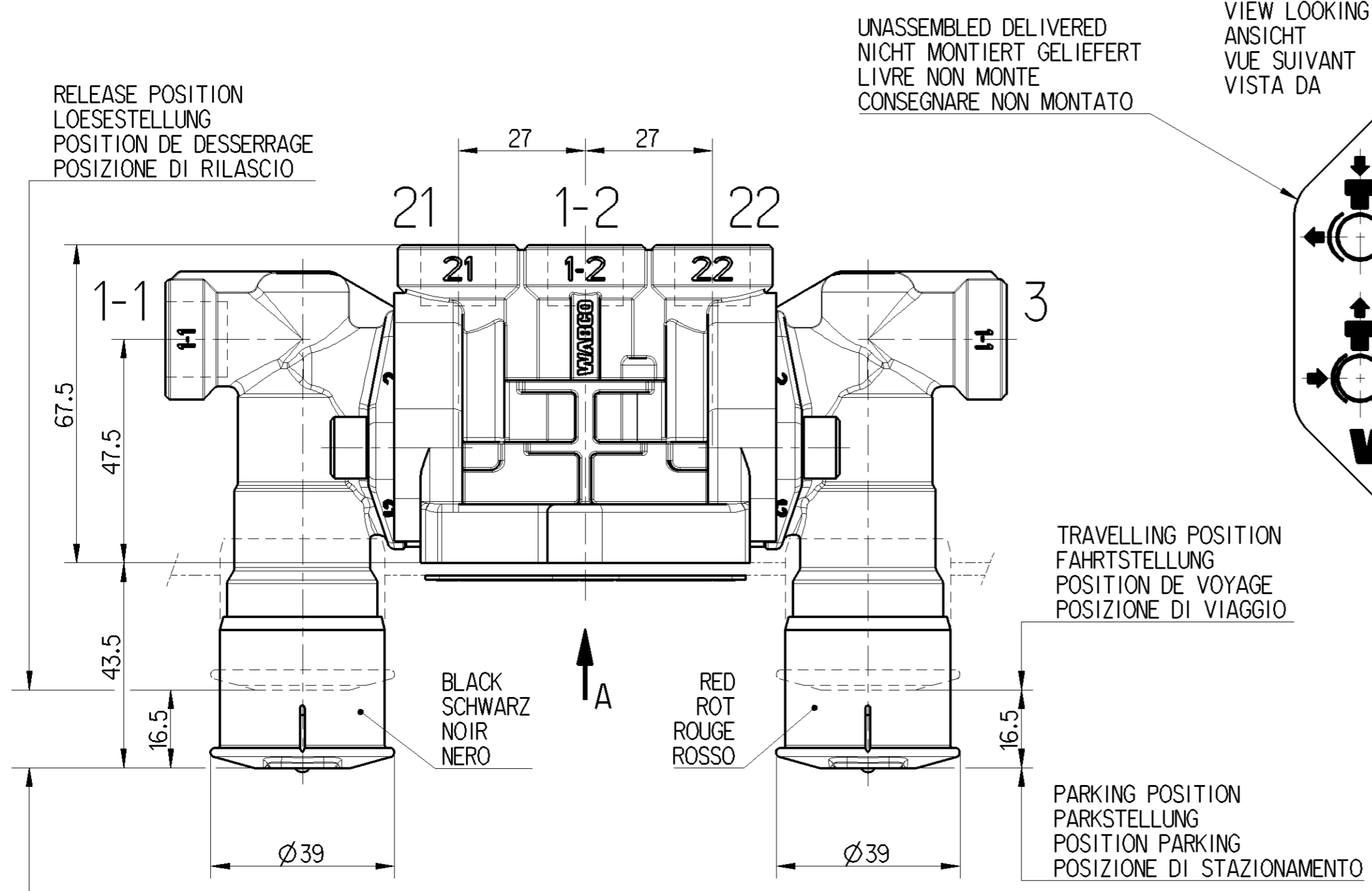


Non e' permesso copiare, o terzi o riprodurre questo documento, ne utilizzare il contenuto o renderlo comunque noto o terzi senza autorizzazione esplicita. Ogni infrazione costituisce un evidente abuso e comportera il risarcimento dei danni subiti. E' fatta riserva di tutti i diritti derivanti da brevetti, o modelli.

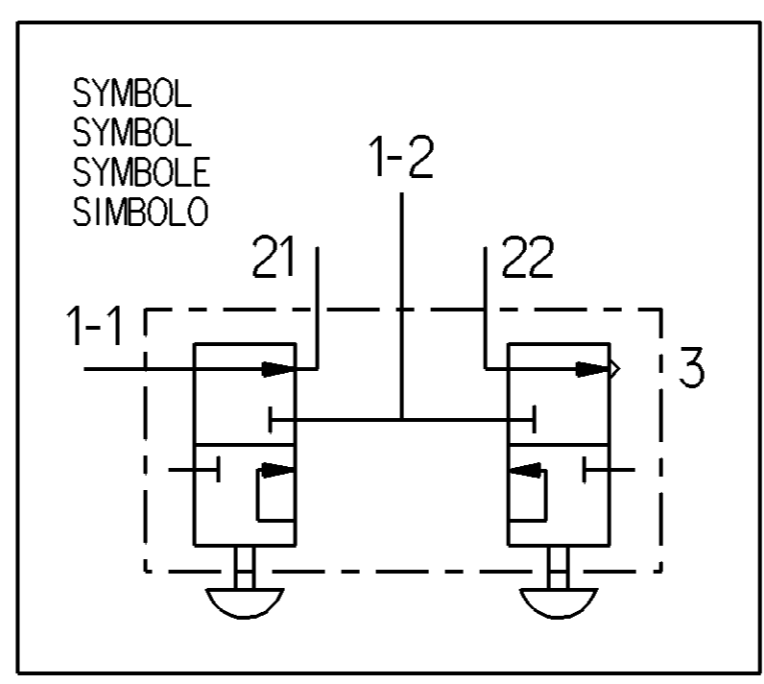
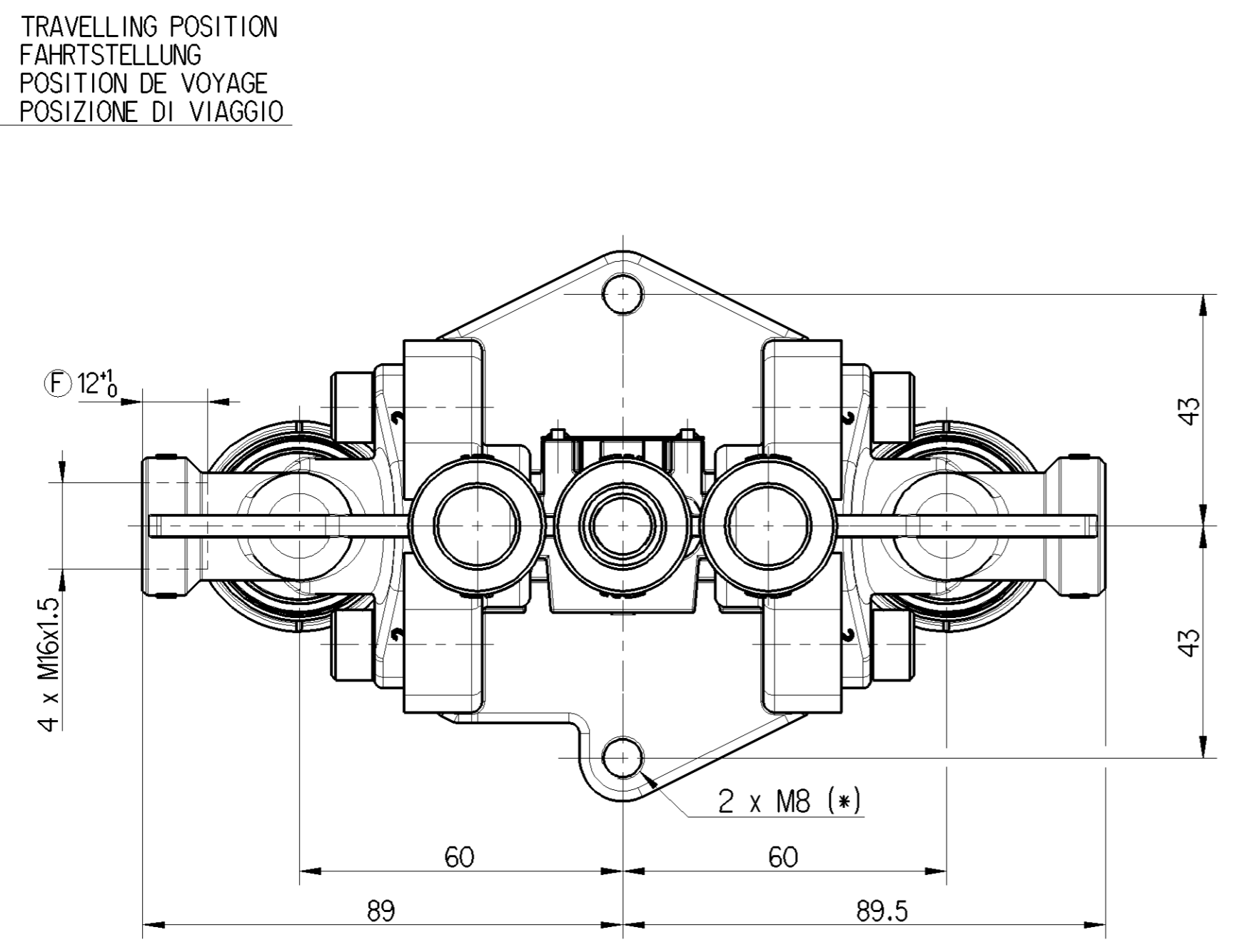
Copying of this document and giving it to others and the use or communication of the contents thereof, are forbidden without express authority. Contravention of this restriction will constitute an evident abuse and result in a liability to the payment of damages. All rights are reserved in the event of the grant of patent or registration of a utility model or design. This document is the subject of copyright.

Toute communication ou reproduction de ce document, toute exploitation ou communication de son contenu sont interdites, sauf autorisation expresse. Tout manquement a cette regle constitue un abus evident et expose son auteur au versement de dommages et interets. Tous droits de propriete industrielle reserves, notamment en matiere de brevets et de modesles.

Wiedergabe sowie Vervielfältigung dieser Unterlagen, Verleihen und Mitteilen ihres Inhalts nicht gestattet, soweit nicht ausdrücklich ansonsten, zu wiederholenden, stellen eines, offensichtlich. Missbrauch dar und verpflichten zu Schadensersatz. Alle Rechte für den Fall der Patentierung oder Gebrauchsmuster-Eintragung vorbehalten.



MAXIMUM WORKING PRESSURE MAXIMALER BETRIEBSDRUECK PRESSION D'UTILISATION MAXIMALE PRESSIONE DI ESERCIZIO MASSIMO		8.5 bar
THERMAL RANGE OF APPLICATION THERMISCHER ANWENDUNGSBEREICH GAMME D'APPLICATION THERMIQUE CAMPO TERMICO D'APPLICAZIONE		-40°...+80°C
TORQUE FOR CONNECTIONS ANZUGSMOMENT FUR EINSCHRAUBSZUTZEN COUPLE DE SERRAGE DES RACCORDS COPPIA DI SERRAGGI DEI RACCORDIO		34 Nm MAX.
1-1	SUPPLY VORRAT ALIMENTATION ALIMENTAZIONE	1-2 AIR RESERVOIR LUFTBEHAELTER RESERVOIR D'AIR SERBATOIO D'ARIA
21	RELAY EMERGENCY VALVE ANHAENGER-BREMSVENTIL VALVE RELAIS D'URGENCE SERVODISTRIBUTORE	22 SPRING BRAKE CYLINDER FEDERSPEICHERZYLINDER CYLINDRE A RESSORT CILINDRO A MOLLA
3	AIR EXHAUST ENTLUEFTUNG ECHAPPEMENT SCARICO	MEDIUM : AIR MEDIUM : LUFT FLUIDE : AIR FLUIDO : ARIA
WORKING POSITION: UNIMPORTANT EXCEPT EXHAUST AT THE TOP EINBAULAGE: BELIEBIG AUSGENOMMEN ENTLUEFTUNG NACH OBEN POSITION DE FONCTIONNEMENT: INDIFFERENTE SAUF ECHAPPEMENT VERS LE HAUT POSIZIONE DI FUNZIONAMENTO: INDIFFERENTE ECCETTO SCARICO VERSO L'ALTO		



TORQUE
ANZUGSMOMENT
COUPLE DE SERRAGE
COPPIA DI SERRAGGIO

* 10 Nm MAX.

General Specification: JED-334-1, Size ISO 14405 LP		Copyright WABCO®		WABCO		
Further Technical Data:		Date	Signature	TRAILER RELEASE VALVE ANHAENGER LOESEVENTIL VALVE DE DESSERRAGE DE REMORQUE VALVOLA DI SFRENTATURA RIMORCHIO		
Doc. Code	Sheet	To	Drawn	2015-11-16 Szyszka		
General Tolerances JED-261		Checked	2015-11-23 Hladik	963 001 052 0		
Range of Nominal Dimensions (± mm)		Expert	Szyszka			
Class	1)	≤ 50	> 50 ≤ 180	> 180 ≤ 400	> 400	Material No.
Fine	X	0.5	1.0	1.5	2.0	0.618
Medium		1.0	2.0	3.0	4.0	1:1
Coarse		2.0	3.5	5.0	6.5	1005 ML 1/1
Tapped Holes acc. JED-152		Scale	Material No.	Date of first issue: 2005-11-16		
1) Tolerance Class Applied Crossmarked		Size	CAD System	ECN-No.	Revision	Techn. Resp.
		A 2	CREO	165922	2 x F	5320