

<C> CUSTOMER INTERFACE 0



A

B

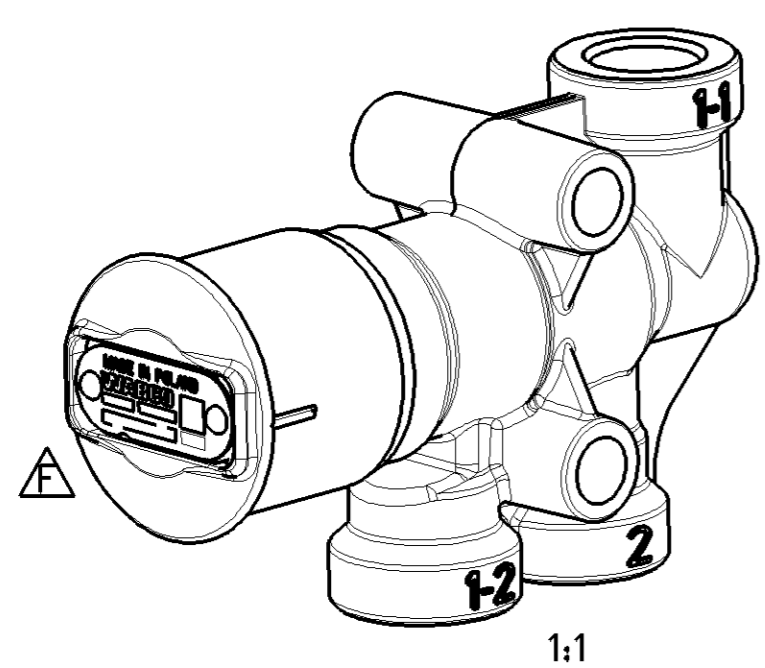
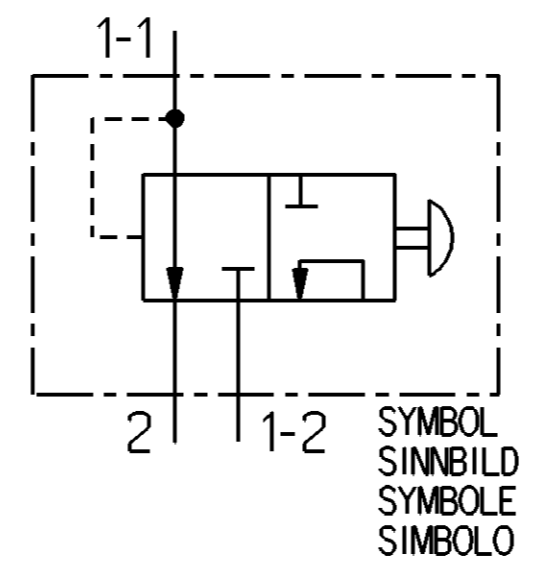
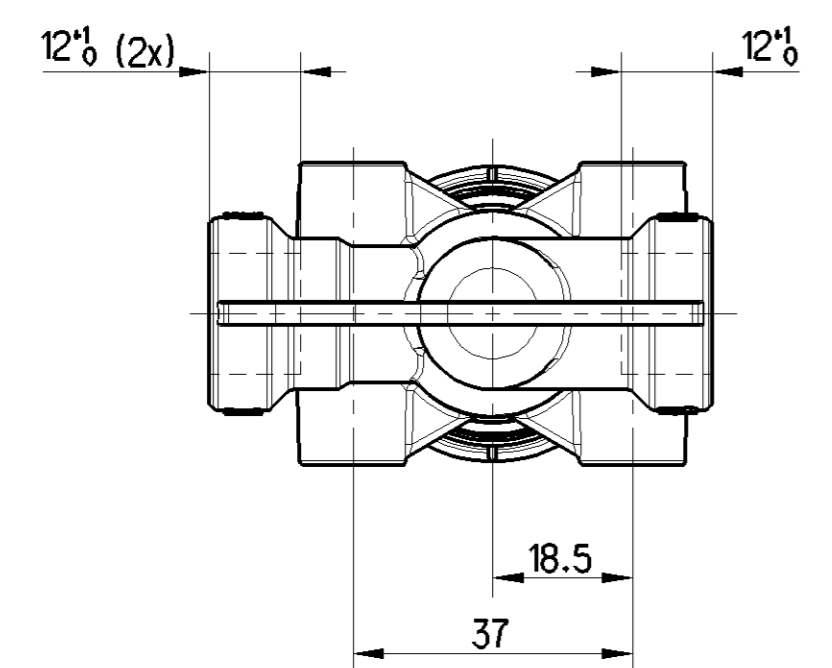
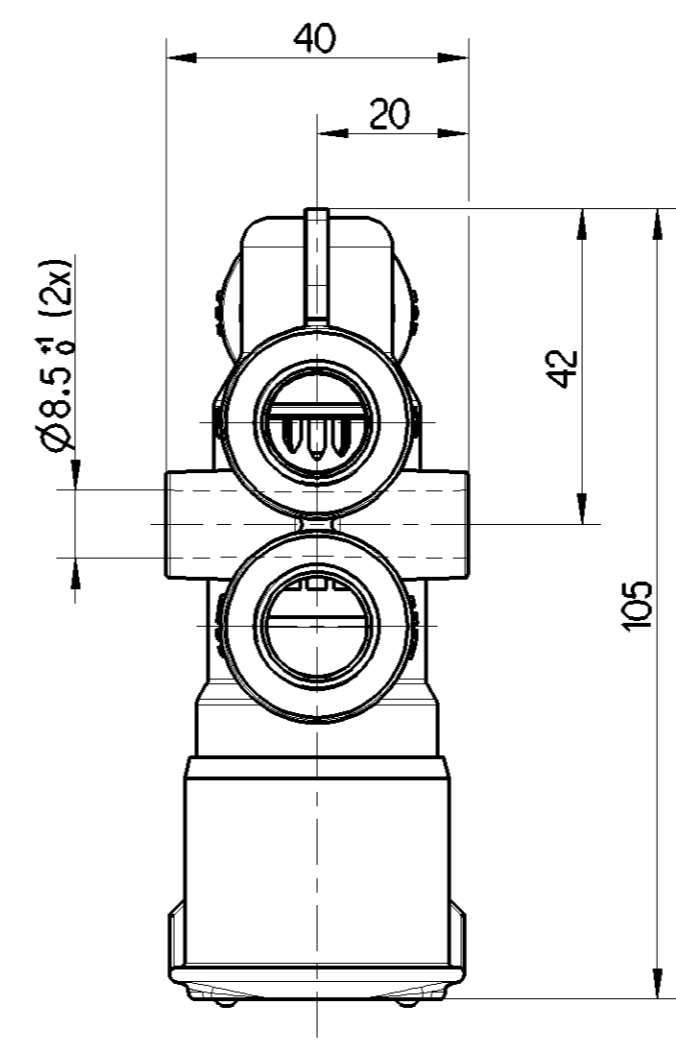
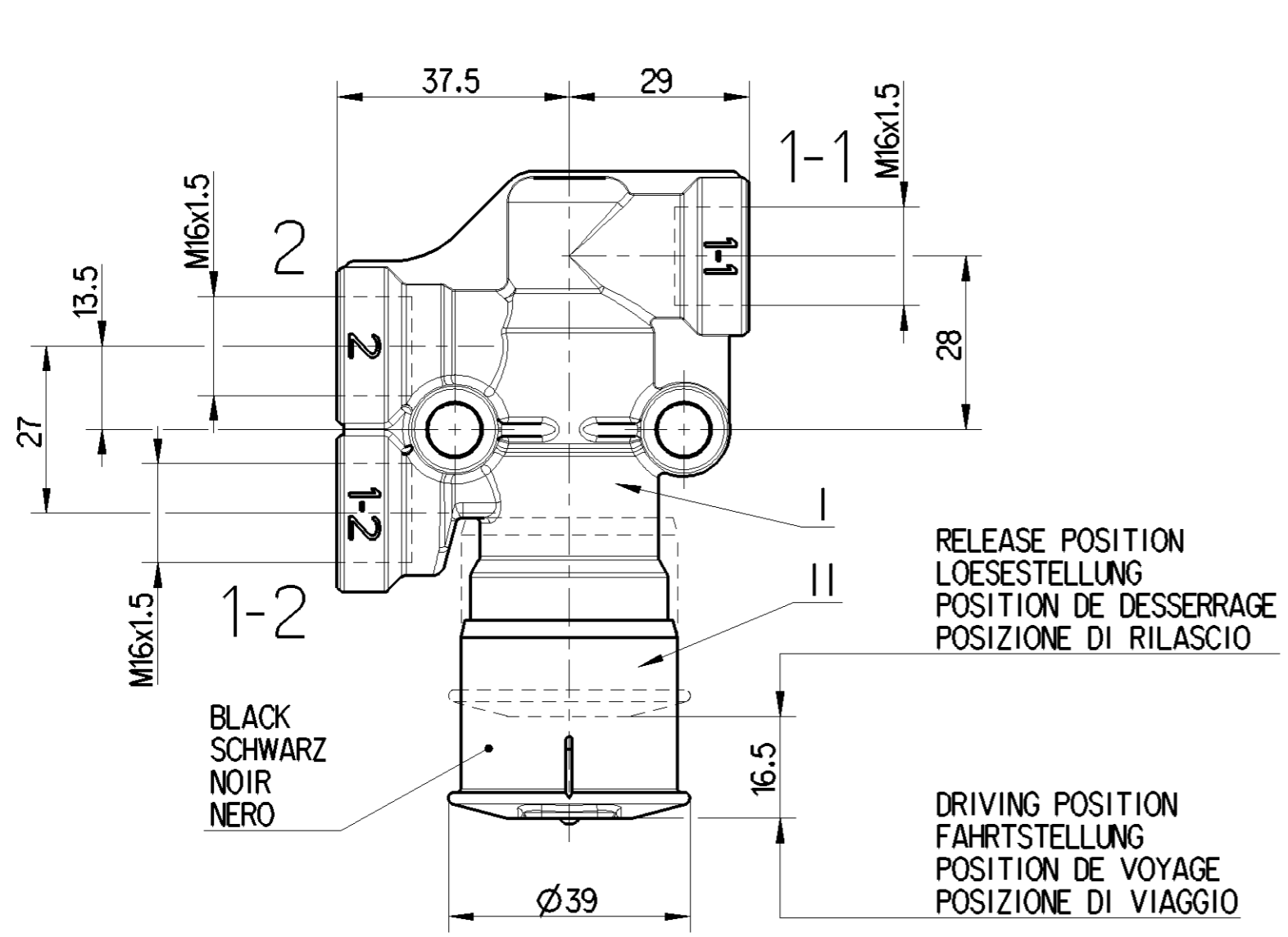
Non e permesso copiare, o terzi o riproduzione di questo documento, ne utilizzare il contenuto o renderlo comunque noto o terzi senza autorizzazione esplicita. Ogni infrazione costituisce un evidente abuso e comportera il risarcimento dei danni subiti. E' fatta riserva di tutti i diritti derivanti da brevetti o modelli.

Copying of this document and giving it to others and the use or communication of the contents thereof, are forbidden without express authority. Contravention of this restriction will constitute an evident abuse and result in a liability to the payment of damages. All rights are reserved in the event of the grant of patent or registration of a utility model or design. This document is the subject of copyright.

Alle Rechte fuer den Fall der Patentierung oder Gebrauchsmuster-Eintragung vorbehalten.

Tout e permis de copier, o tiers ou reproduction de ce document, ne utiliser son contenu ou rendre son contenu connu ou tiers sans autorisation expresse. Tout manquement a cette regle constitue un abus evident et expose son auteur au versement de dommages et interets. Tous droits de propriete industrielle reserves, notamment en matiere de brevets et de modesles.

Wskazane swatai w tym dokumencie, bez uprzedzenia, nie wolno kopiowac, ani udzialowac w rozpowszechnianiu, ani wykorzystywac do celow innych, bez wyrazejnej zgody producenta. Wszelkie naruszenia niniejszych warunkow korzystania z dokumentu, stanowi naruszenie praw autorskich i moze skutkowac odpowiedzialnoscia prawną.



	MATERIAL WERKSTOFF MATIERE MATERIALE	PROTECTION SCHUTZ PROTEZIONE PROTEZIONE
I	JED-029M3 (ALUMINUM)	JED-259
II	JED-005M2/3 (POM)	-

MAXIMUM WORKING PRESSURE MAXIMAL BETRIEBSDRUECK PRESSION D'UTILISATION MAXIMUM PRESSIONE DI ESERCIZIO MASSIMO	P1 = 8.5 bar
THERMAL RANGE OF APPLICATION THERMISCHER ANWENDBEREICH GAMME D'APPLICATION THERMIQUE CAMPO DI APPLICAZIONE TERMICA	-40°C ... +80°C
MINIMUM NOMINAL DIAMETER MINIMAL NENNWEITE DIAMETRE NOMINAL MINIMUM DIAMETRO NOMINALE MINIMO	(1-1)---->(2) (1-2)---->(2) Ø8 Ø6
MEDIUM MEDIUM FLUIDE FLUIDO	AIR LUFT AIR ARIA
TORQUE FOR CONNECTIONS ANZUGSMOMENT FUER EINSCHRAUBSTUTZEN COUPLE DE SERRAGE DES RACCORDS COPPIA DI SERRAGGIO DEI RACCORDI	34 Nm MAX.
WORKING POSITION: EINBAULAGE: POSITION DE FONCTIONNEMENT: POSIZIONE DI FUNZIONAMENTO:	
1-1	SUPPLY VORRANT ALIMENTATION ALIMENTAZIONE
1-2	AIR RESERVOIR LUFTBEHAELTER RESERVOIR D'AIR SERBATOIO D'ARIA
2	RELAY EMERGENCY VALVE ANHAENGER-BREMSVENTIL VALVE RELAIS D'URGENCE SERVO DISTRIBUTORE



General Specification: ISO 8015, JED-334-1, Size ISO 14405 LP		Copyright WABCO®		<b>WABCO</b>		
Further Technical Data:		Date	Signature	RELEASE VALVE LOESEVENTIL VALVE DE DESSERRAGE VALVOLA DI SFRENATURA		
Doc. Code:	Sheet: To	2023-05-11	Balago	Date of first issue: 2010-09-13		
General Tolerances JED-261		Checked	Szysko	Doc.Code	Language	Sheet
Range of nominal dimensions in mm		Dimensions in mm		005	ML	1/1
Class 1)	≤ 50 > 50 ≤ 180 > 180 ≤ 400 > 400	Mass	Scale	Material No.		
Fine	±0.5 ±1 ±1.5 ±2	0.150	1:1	963 006 001 0		
Medium	±1 ±2 ±3 ±4	kg		ECN-No. 513198		
Coarse	±2 ±3.5 ±5 ±6.5	Size	CAD System	Revision 3 x F		
Tapped Holes acc. JED-152		A 2	CREO	Techn. Resp. 5320		
1) Tolerance Class Applied Crossmarked				Replacement for -		

100mm