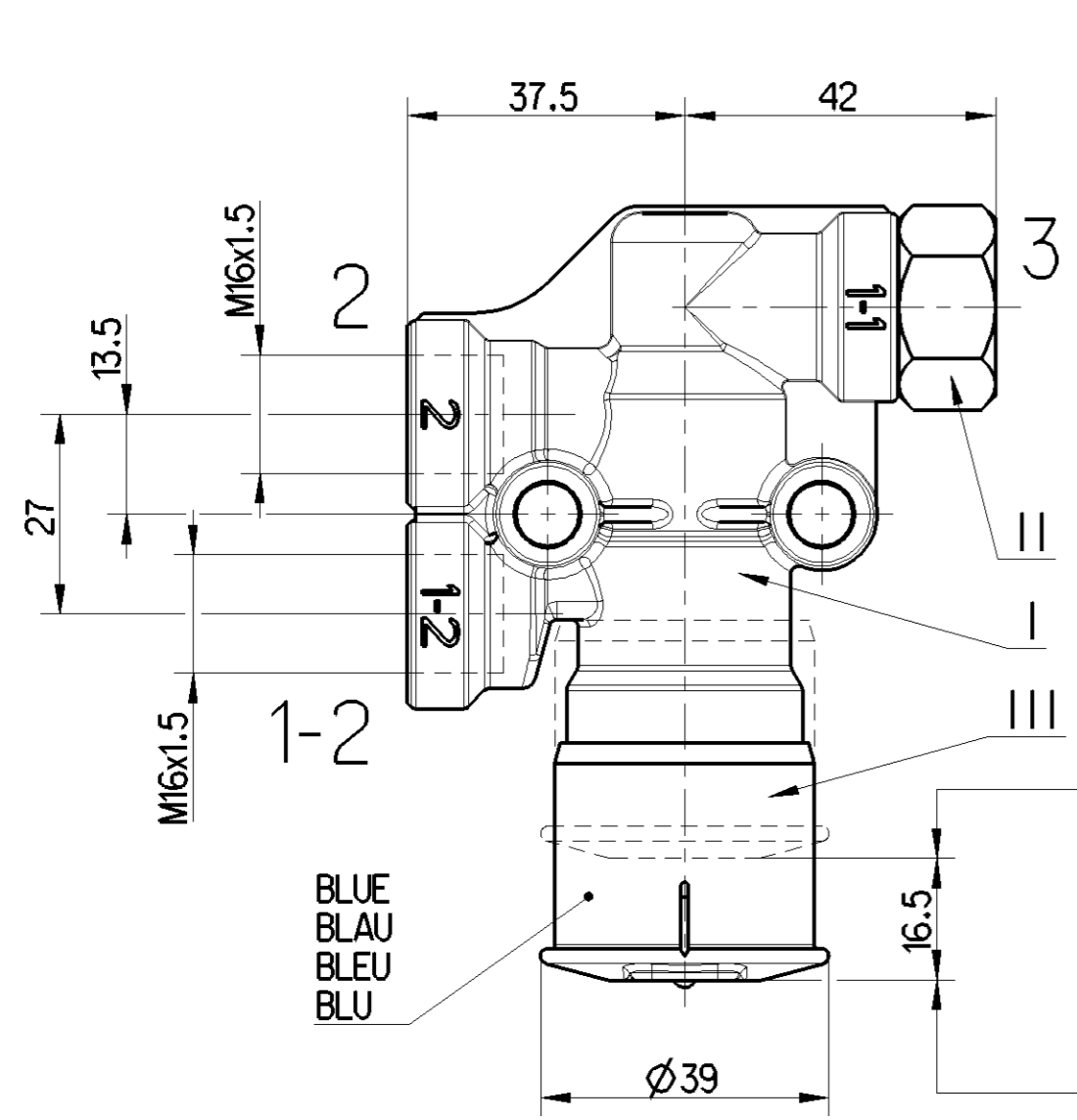


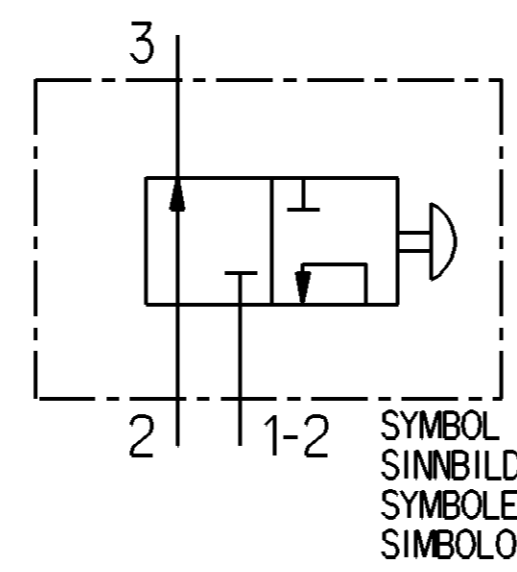
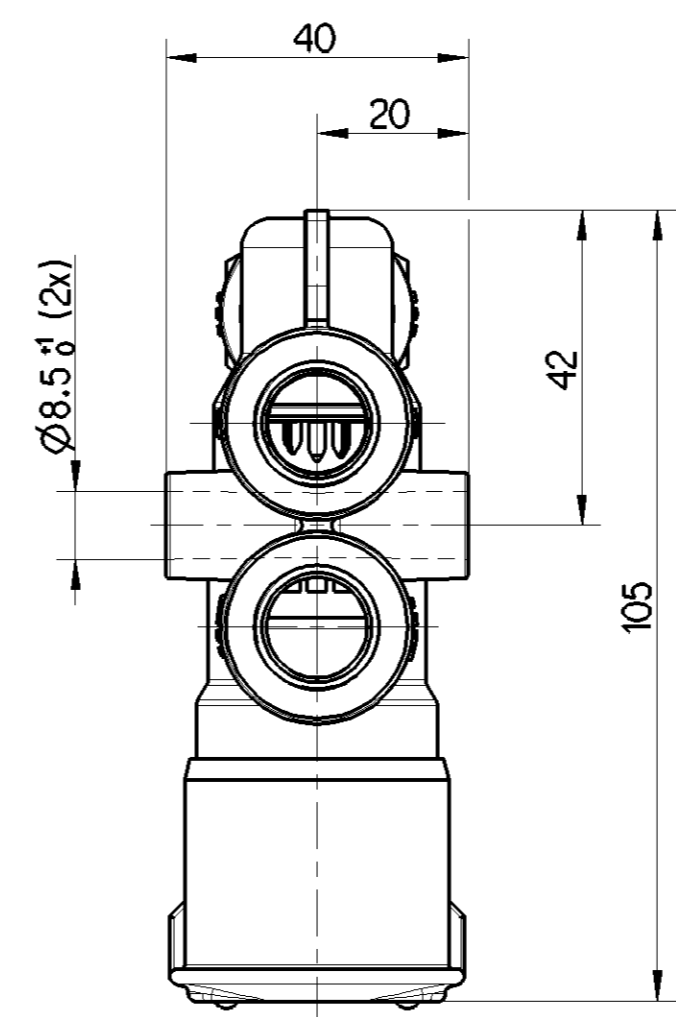
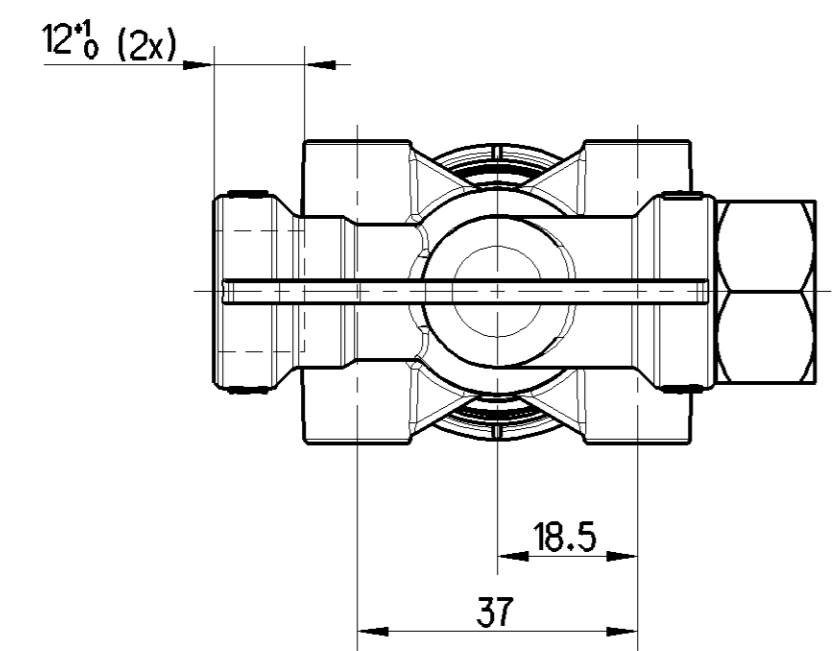
Non e permesso copiare, o terzi o riprodurre questo documento, ne utilizzare il contenuto o renderlo comunque noto o terzi senza autorizzazione esplicita. Ogni infrazione costituisce un evidente abuso e comportera il risarcimento dei danni subiti. E' fatta riserva di tutti i diritti derivanti da brevetti o modelli.  
 Copying of this document and giving it to others and the use or communication of the contents thereof, are forbidden without express authority. Contention of this restriction will constitute an evident abuse and result in a liability to the payment of damages. All rights are reserved in the event of the grant of patent or registration of a utility model or design. This document is the subject of copyright.  
 Toute communication ou reproduction de ce document, toute exploitation ou communication de son contenu sont interdites, sauf autorisation expresse. Tout manquement a cette regle constitue un abus evident et expose son auteur au versement de dommages et interets. Tous droits de propriete industrielle reserves, notamment en matiere de brevets et de modesles.  
 Weitergabe sowie Vervielfaltigung dieser Unterlagen, Verwertung und Mitteilung ihres Inhalts nicht gestattet, soweit nicht ausdrücklich ansonsten, zu wiederholenden, stellen einen offensichtlichen Missbrauch dar und verpflichten zu Schadensersatz. Alle Rechte hier den Fall der Patentierung oder Gebrauchsmuster-Eintragung vorbehalten.

<CI> CUSTOMER INTERFACE 0

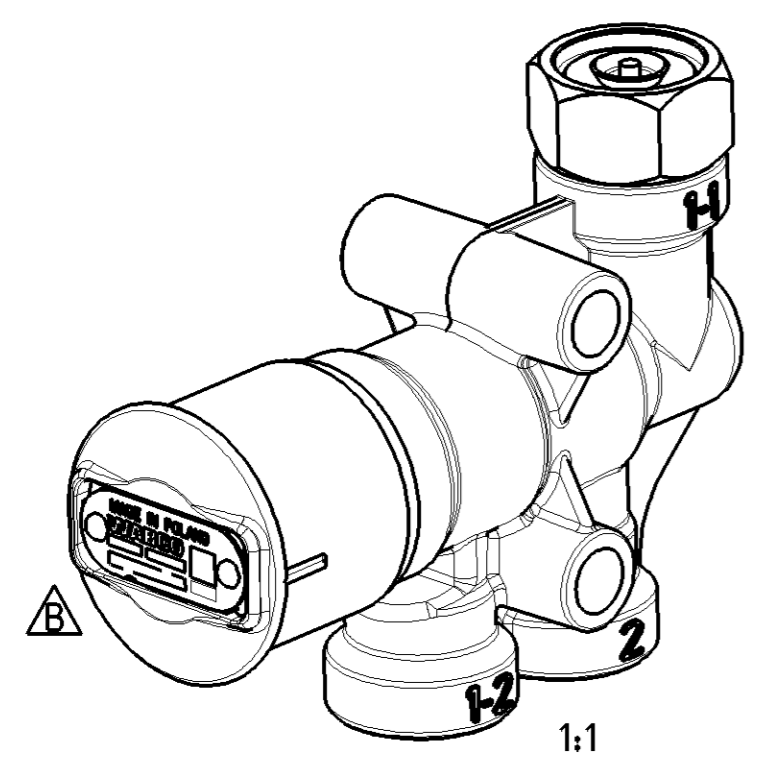


SUPPLY POSITION  
VORRSTSTELLUNG  
POSITION D'ALIMENTATION  
POSIZIONE DI ALIMENTAZIONE

EXHAUST POSITION  
ENTLUEFTUNGSTELLUNG  
POSITION ECHAPPEMENT  
POSIZIONE DI SCARICO



SYMBOL  
SINNBILD  
SYMBOLE  
SIMBOLO



	MATERIAL WERKSTOFF MATIERE MATERIALE	PROTECTION SCHUTZ PROTEZIONE PROTEZIONE
I	JED-029M3 (ALUMINUM)	JED-259
II	JED-019M2 (ALUMINUM)	JED-259
III	JED-005M2/3 (POM)	-

MAXIMUM WORKING PRESSURE MAXIMAL BETRIEBSDRUECK PRESSION D'UTILISATION MAXIMUM PRESSIONE DI ESERCIZIO MASSIMO	P1 = 8.5 bar
THERMAL RANGE OF APPLICATION THERMISCHER ANWENDBEREICH GAMME D'APPLICATION THERMIQUE CAMPO DI APPLICAZIONE TERMICA	-40°C ... +80°C
MINIMUM NOMINAL DIAMETER MINIMAL NENNWEITE DIAMETRE NOMINAL MINIMUM DIAMETRO NOMINALE MINIMO	(2)--->(3) (1-2)--->(2) Ø8 Ø6
MEDIUM MEDIUM FLUIDE FLUIDO	AIR LUFT AIR ARIA
TORQUE FOR CONNECTIONS ANZUGSMOMENT FUER EINSCHRAUBSTUTZEN COUPLE DE SERRAGE DES RACCORDS COPPIA DI SERRAGGIO DEI RACCORDI	34 Nm MAX.
WORKING POSITION: UNIMPORTANT EXCEPT EXHAUST AT THE TOP EINBAULAGE: BELIEBIG AUSGENOMMEN ENTLUEFTUNG NACH OBEN POSITION DE FONCTIONNEMENT: INDIFFERENTE SAUF ECHAPPEMENT VERS LE HAUT POSIZIONE DI FUNZIONAMENTO: INDIFFERENTE ECCETTO SCARICO VERSO L'ALTO	
1-2	SUPPLY VORRANT ALIMENTATION ALIMENTAZIONE
2	LIFT AXLE CONTROL VALVE LIFTACHSSTEUERVENTIL VALVE DE RELEVAGE D'ESSIEU VALVOLA ASSE SOLLEVATORE
3	EXHAUST ENTLUEFTUNG ECHAPPEMENT SCARICO

General Specification: ISO 8015, JED-334-1, Size ISO 14405 LP

Copyright WABCO®

Further Technical Data: Date: 2023-05-11, Signature: Balago, Drawn: Balago, Checked: Szyzsko, 2023-05-24

Doc. Code: Sheet: To

General Tolerances JED-261

Class	1)	≤ 50	> 50 ≤ 180	> 180 ≤ 400	> 400	∠
Fine		±0.5	±1	±1.5	±2	±3°
Medium	X	±1	±2	±3	±4	
Coarse		±2	±3.5	±5	±6.5	

Tapped Holes acc. JED-152

1) Tolerance Class Applied Crossmarked

Mass: 0.161 kg, Scale: 1:1, Dimensions in mm: A 2, CREO

Material No.: 963 006 007 0, Date of first issue: 2004-06-15, Doc. Code: 005, Language: ML, Sheet: 1/1

ECN-No.: 513198, Revision: 3 x B, Techn. Resp.: 5320, Replacement for: -