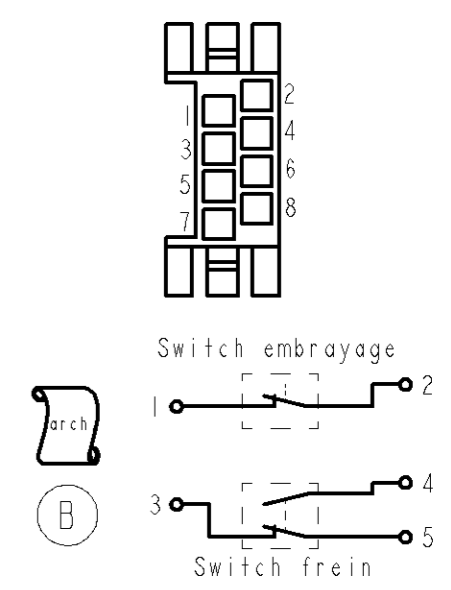
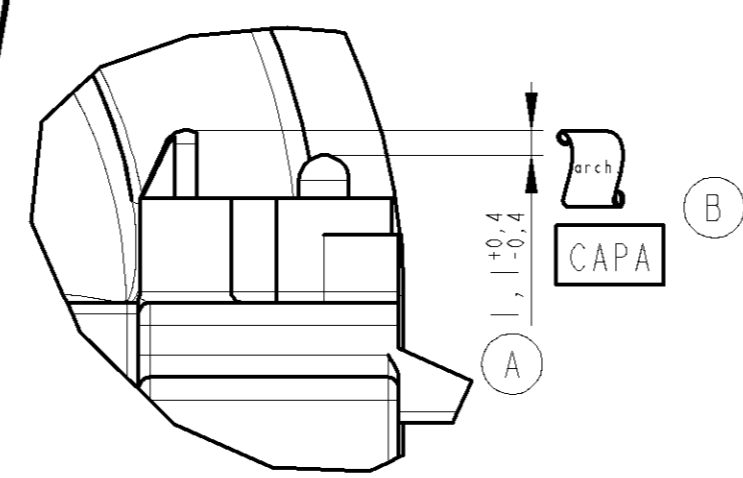
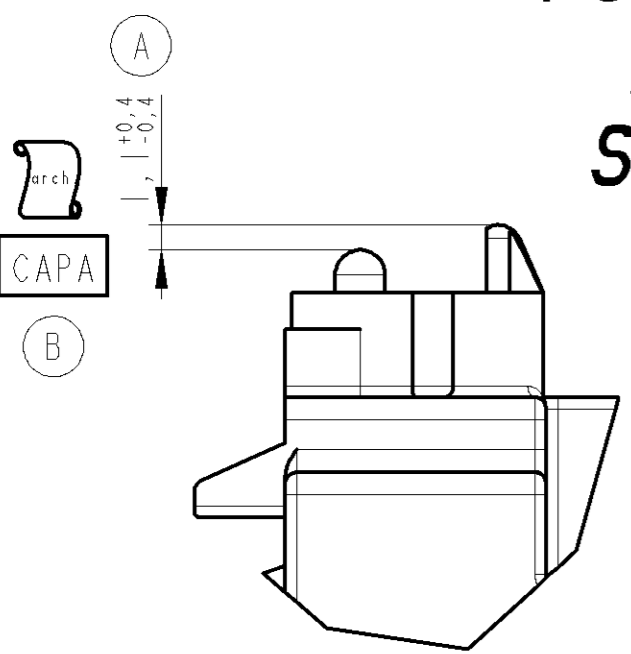


AFFECTATION DES VOIES CABLING DIAGRAM



arch = CONTROLE DU SERTISSAGE DES COSSES (B)
 = CRIMPING CONTROL OF THE PODS

POSITION D'ACTION (PA) (A)
 DES MINIRUPTEURS
 SWITCH ON POSITION



GENERAL TOLERANCES				
CLASS	RANGE OF NOMINAL DIMENSIONS (± mm)			
	I) < 50	< 180	< 400	> 400
I	0,5	1,0	1,5	2,0
II	1,0	2,0	3,0	4,0
III	2,0	3,5	5,0	6,5

FURTHER TECHNICAL DATA SEE		-	L	-
IDENTIFICATION NO.:		-	K	-
CODE FOR DOCUMENT: 605	SHEET: TO	-	J	-
GENERAL TOLERANCES		-	H	-
RANGE OF NOMINAL DIMENSIONS (± mm)		-	G	-
CLASS		-	F	-
I) < 50 < 180 < 400 > 400		-	E	-
II) 1,0 2,0 3,0 4,0		-	D	-
III) 2,0 3,5 5,0 6,5		-	C	-
TAPPED HOLES ACC. ISO 4039 / JED-152		00 157/00	6xB	15/05/00
I) TOLERANCE CLASS APPLIED CROSSMARKED		00 27/00	8xA	24/02/00
DCN-NO. REV. DATE		COPYRIGHT		
		DATE SIGNATURE		
		21/02/00 DRAWN CAZENAVE		
		21/02/00 CHECKED PERHERIN		
		STANDARDIZATION 00 27/00		
		MASS SCALE PRODUCT IDENTIFICATION NO.		
		kg 1,000 965 001 530 2		
		SIZE T.R.I.		
		A 2 210		
		CODE F.PROD.-GROUP CODE FOR SHAPE REPLACEMENT FOR		
		5190 - 884 618 610 2		

NON E' PERMESSO CONSEGNARE A TERZI O RIPRODURRE QUESTO DOCUMENTO, NE UTILIZZARNE IL CONTENUTO O RENDERSI
 COME AUTORE, SAUF AUTORIZZAZIONE ESPlicitA. OGNI INFRAZIONE COSTITUIRA UN EVIDENTE ABUSO E
 COMPORTERA IL RISARCIMENTO DEI DANNI. SOTTILE FATTA RISERVA DI TUTTI I DIRITTI DEBENTIVI DABREVETTI O MODELLI.
 COPIING OF THIS DOCUMENT, AND GIVING IT TO OTHERS AND THE USE OR COMMUNICATION OF THE
 CONTENTS THEREOF, ARE FORBIDDEN WITHOUT EXPRESS AUTHORITY. CONTRAVENTION OF THIS RESTRICTION WILL
 CONSTITUTE AN EVIDENT ABUSE AND RESULT IN A LIABILITY TO THE PAYMENT OF DAMAGES. ALL RIGHTS ARE
 RESERVED IN THE EVENT OF THE GRANT OF A PATENT OR THE REGISTRATION OF AN UTILITY MODEL OR DESIGN.
 THIS DRAWING IS SUBJECT TO COPYRIGHT.

PART NAME: 9650015302B
 DRAWING NAME: 9650015302-605B