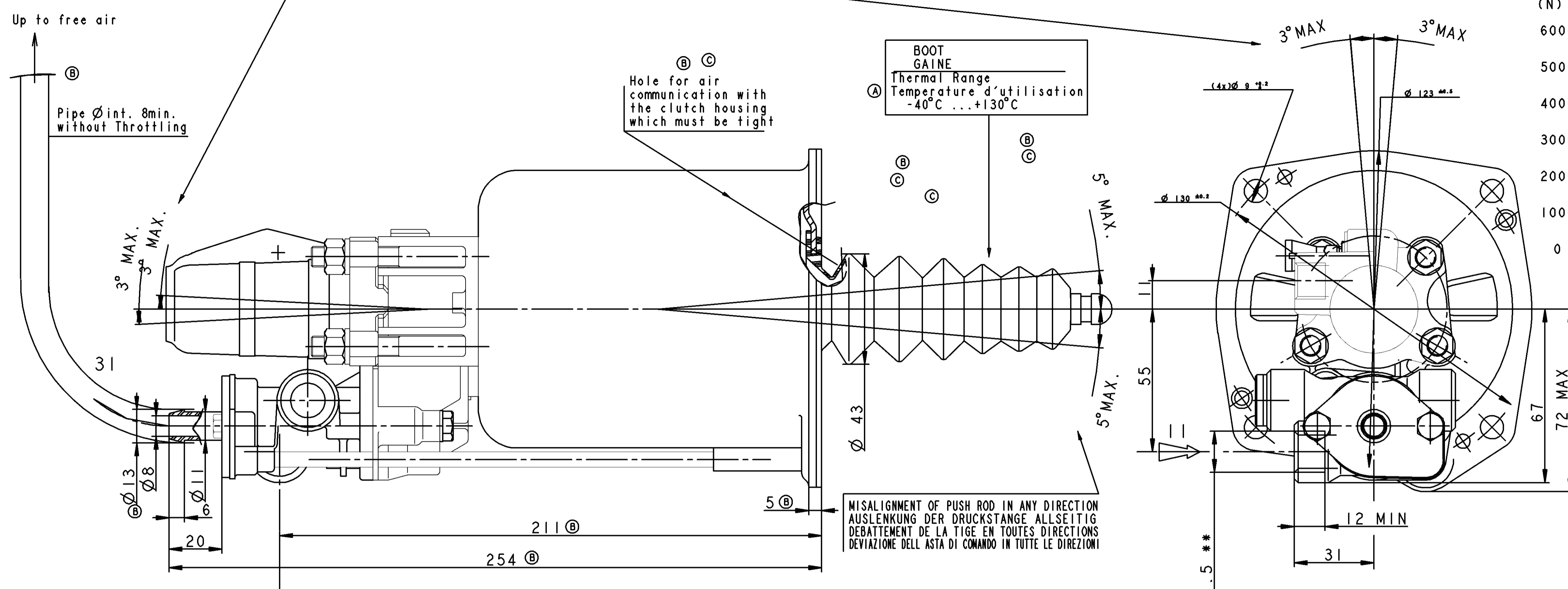
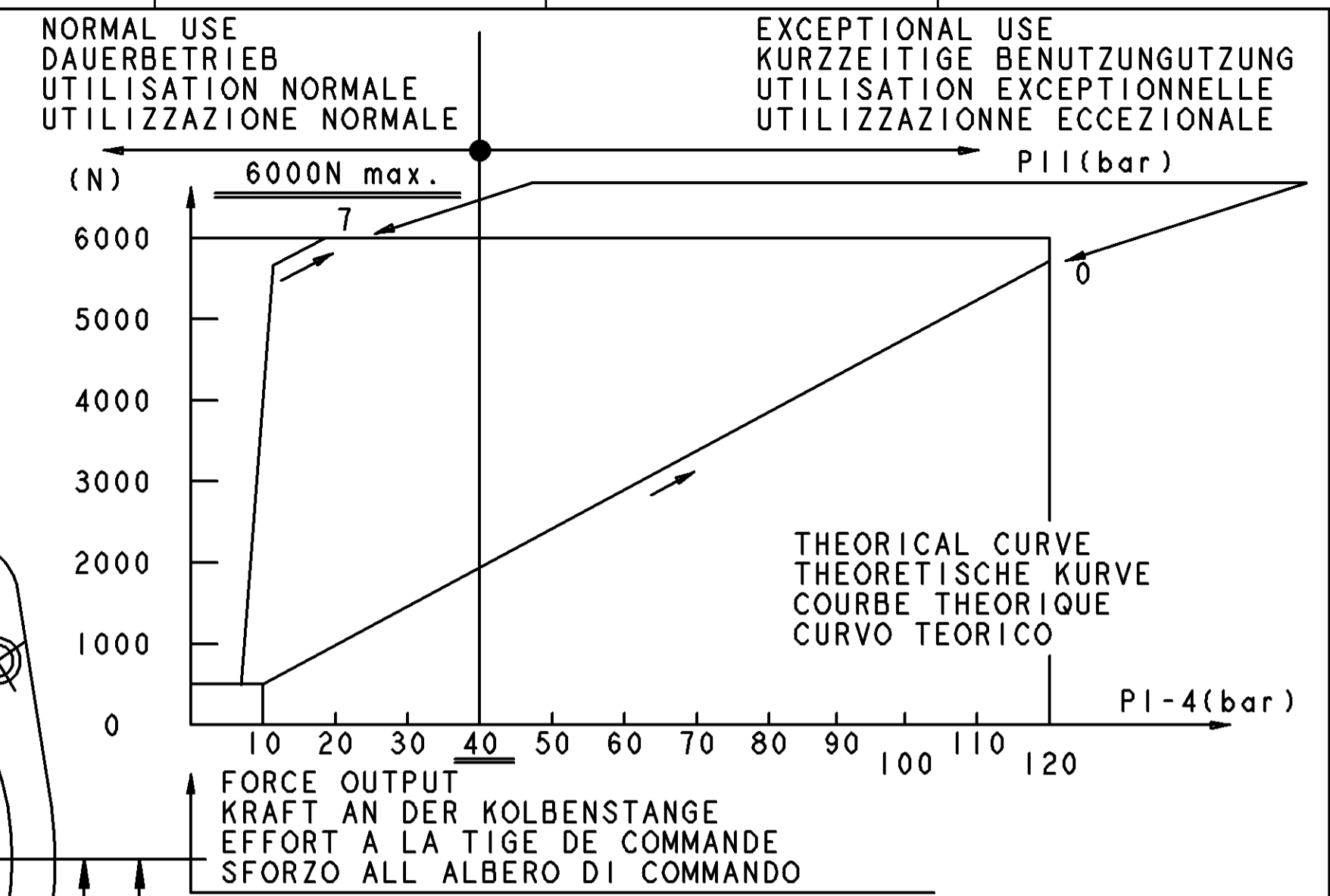


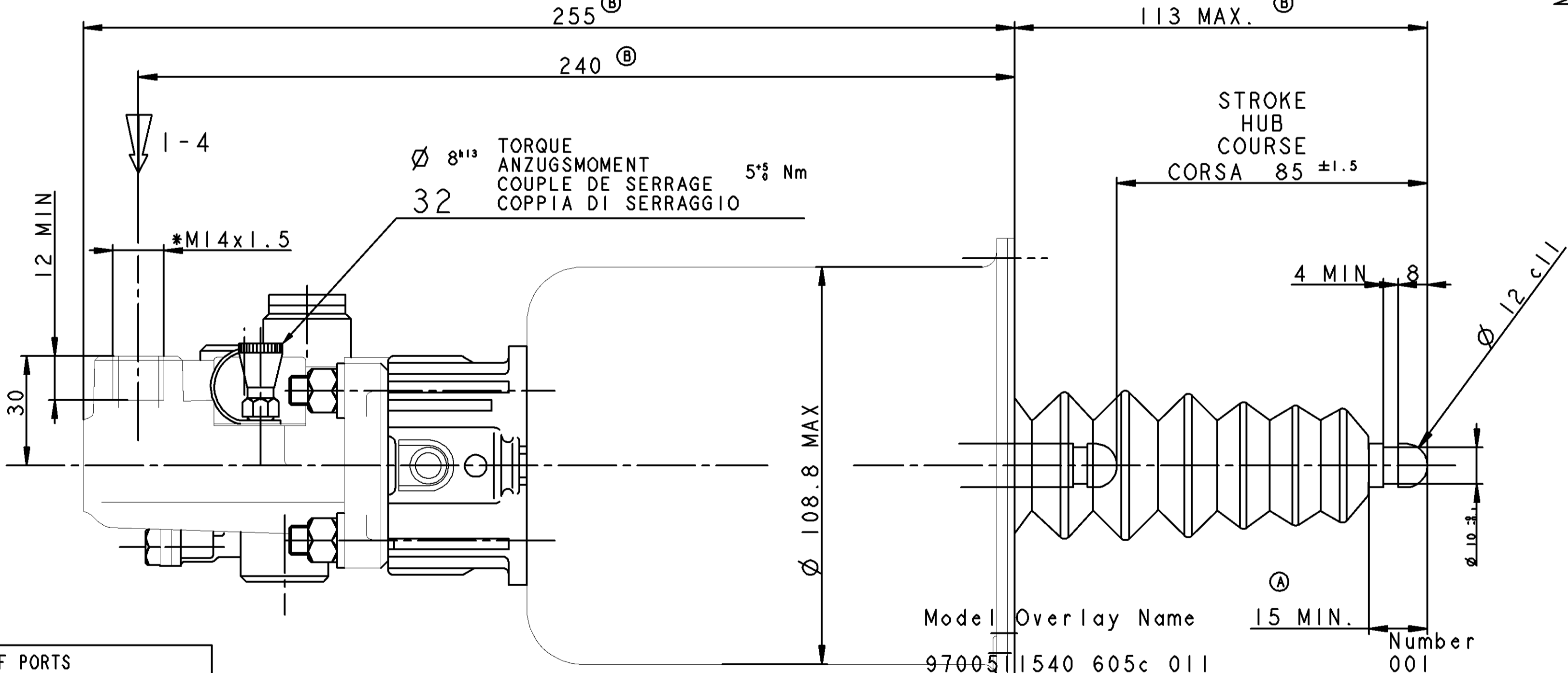
DEVICE EXTREM POSITIONS WHEN BLEEDING  
 MAXIMALE ABWEICHUNGEN DES GERATES WAHREND DER ENTLUEFTUNG  
 POSITIONS EXTREMES DU SERVO PENDANT LA PURGE  
 POSIZIONI ESTREME DEL SERVO FRIZIONE DURANTE LO SPURGO



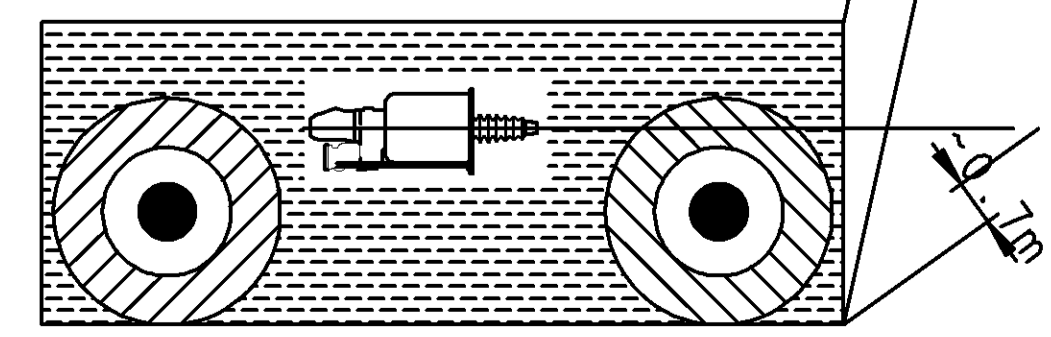
HYDRAULIC VOLUME INPUT NUTZBARES HYDRAULISCHES VOLUM VOLUME HYDRAULIQUE ABSORBE VOLUME HYDRAULICO ASSORBITO		$v = (Sh \times C) + K$	
K	ABSORPTION AT AUFNABME BEI ABSORPTION A ASSORBIMENTO A	120 BAR	FOR FUR POUR PER
SH	HYDRAULIC SECTIONAL AREA HYDRAULISCHER QUERSCHNITT SECTION HYDRAULIQUE SEZIONE IDRAULICO	C=0	1.5 < K < 2.5 cm³
C	GEAR DISENGAGING STROKE AUSKUPPLUNGSHUB COURSE DE DEBRAYAGE CORSO DI DISINNESTO		4.89 cm²

AIR PRESSURE INLET DRUCKLUFT PRESSION PNEUMATIQUE D'ALIMENTATION PRESSIONE PNEUMATICA DI ALIMENTAZIONE		10 BAR MAX
NO STROKE LIMITER IN THE DEVICE HUBBEGRENZUNG NICHT IMGERAET PAS DE LIMITATION DE COURSE DANS L'APPAREIL NESSUNA LIMITAZIONE DI CORSA NELL'APPARECHIO		
HYDRAULIC FLUID HYDR. FLUSSIGKEIT FLUIDE HYDRAULIQUE FLUIDO IDRAULICO	BRAKE FLUIDE BREMSFLUSSIGKEIT GLYCERO ALCOOLIQUE LIQUIDO PER FRENI	SAE J 1703
THERMAL RANGE THERM ANWENDUNGSBEREICH TEMPERATURE D'UTILISATION TEMPERATURA DI UTILIZZAZIONE		-40°C...+100°C

DO NOT ACTUATE THE DEVICE IF NOT FITTED ON ITS MOUNTING BRAKET  
 GERAT DARF NUR IM EINGEBAUTEN ZUSTAND BETAETIGT WERDEN  
 NE PAS ACTIONNER L'APPAREIL S'IL N'EST PAS FIXE SUR SON SUPPORT  
 NON METTERE IN FUNZIONE L'APPARECCHIO SE NON E' FISSATO AL SUPPORTO



WATER PROTECTED VERSION FOR FORDING :  
 WATFAEHIGE AUSFUEHRUNG :  
 VERSION PROTEGEE POUR PASSAGE A GUE :  
 L. 2 m MAXI



MARKING OF PORTS KENNZEICHNUNG DER ANSCHLUESSE MARQUAGE DES ORIFICES MARCATURA DEGLI ORIFIZI	
11	AIR INLET VORRATSLEITUNG ALIMENTATION AIR ALIMENTAZIONE ARIA
1-4	HYDRAULIC INLET HYDRAULISCHE ZUFLUSS ALIMENTATION HYDRAULIQUE ALIMENTAZIONE IDRAULICO
31	AIR EXHAUST ENTLUEFTUNG ECHAPPEMENT SCARICO
32	BLEED SCREW ENTLUEFTUNGSSCHRAUBE VIS DE PURGE VITE DI SPURGO

TORQUE ANZUGSMOMENT COUPLE DE SERRAGE COPPIA DI SERRAGGIO	
*	25 N.m Maxi
**	34 N.m Maxi.

FURTHER TECHNICAL DATA SEE		L	
IDENTIFICATION NO.	605	K	
CODE FOR DOCUMENT	TO	J	
GENERAL TOLERANCES		H	
CLASS	RANGE OF NOMINAL DIMENSIONS (± mm)	G	
I	0,5 - 1,0	F	
II	1,0 - 2,0	E	
III	2,0 - 3,5	D	
IV	3,5 - 5,0	C	
V	5,0 - 10,0	B	
VI	10,0 - 20,0	A	
TAPPED HOLES ACC. ISO 4039 / JED-152			
1) TOLERANCE CLASS APPLIED CROSSMARKED			

COPYRIGHT		WABCO	
DATE	SIGNATURE	DATE	SIGNATURE
98-02-24	HOUDA	98-02-25	L'HER
CHECKED		STANDARDIZATION	
98-02-26		98-05-14	
98-02-26		98-05-14	
MASS SCALE		PRODUCT IDENTIFICATION NO.	
3.2g		970 051 154 0	
SIZE T.R.I.		605	
A 1 210		884 616 195 0	

CLUTCH-SERVO KUPPLUNG-VERSTARKER  
 SERVO-DEBRAYAGE  
 SERVO-FRIZIONE

EXPERT CODE TYPE OF PRODUCT