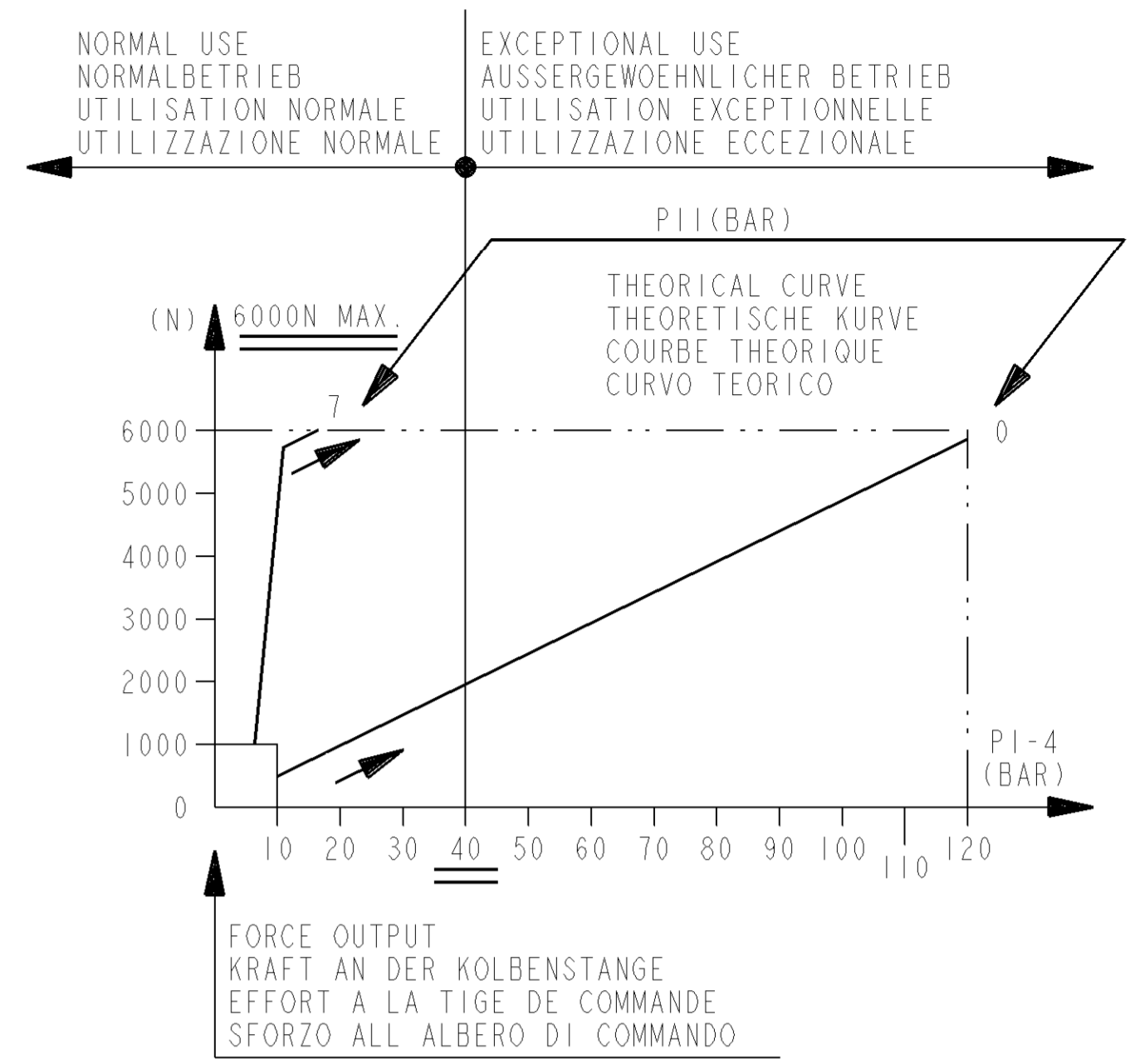


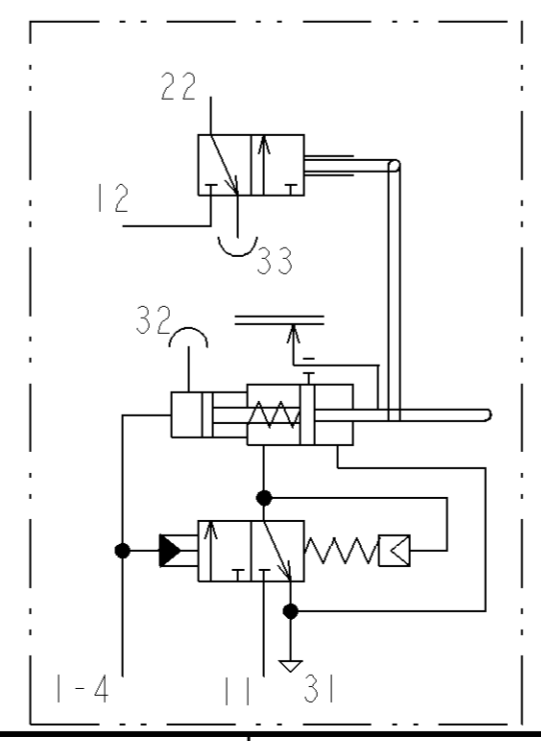
<1> SAFETY CHARACTERISTICS	0
<2> SIGNIFICANT CHARACTERISTICS	0



OIL VOLUME INPUT NUTZBARES HYDRAULISCHES VOLUMEN VOLUME D'HUILE ABSORBE VOLUME D'OLIO ASSORBITO		V=(SHx C)+K	
K	ABSORPTION AT AUFNAHME BEI ASSORBIMENTO A	FOR FUER POUR PER	K<1.5cm ³
SH	HYDRAULIC SECTIONAL AREA HYDRAULISCHER QUERSCHNITT SECTION HYDRAULIQUE SEZIONE IDRAULICO		4.89 cm ²
C	GEAR DISENGAGING STROKE AUSKUPPLUNGSHUB COURSE DE DEBRAYAGE CORSA DI DISINNESTO		
HYDRAULIC FLUID HYDRAULIKFLUESSIGKEIT FLUIDE HYDRAULIQUE FLUIDO IDRAULICO		:BRAKE FLUID :BREMSFLUESSIGKEIT :GLYCERO ALCOOLIQUE :LIQUIDO PER FRENI	SAE J 1703
THERMAL RANGE THERMISCHER ANWENDBEREICH TEMPERATURE D'UTILISATION TEMPERATURA DI UTILIZZAZIONE			- 40°C +100°C
SUPPLY PRESSURE VORRATSDRUCK PRESSION PNEUMATIQUE D'ALIMENTATION PRESSIONE PNEUMATICA DI ALIMENTAZIONE			10 BAR MAX
NO STROKE LIMITER IN THE DEVICE KEIN HUBBEGRENZUNG IM GERAT PAS DE LIMITATION DE COURSE DANS L'APPAREIL NESSUNA LIMITAZIONE DI CORSA NELL'APPARECCHIO			

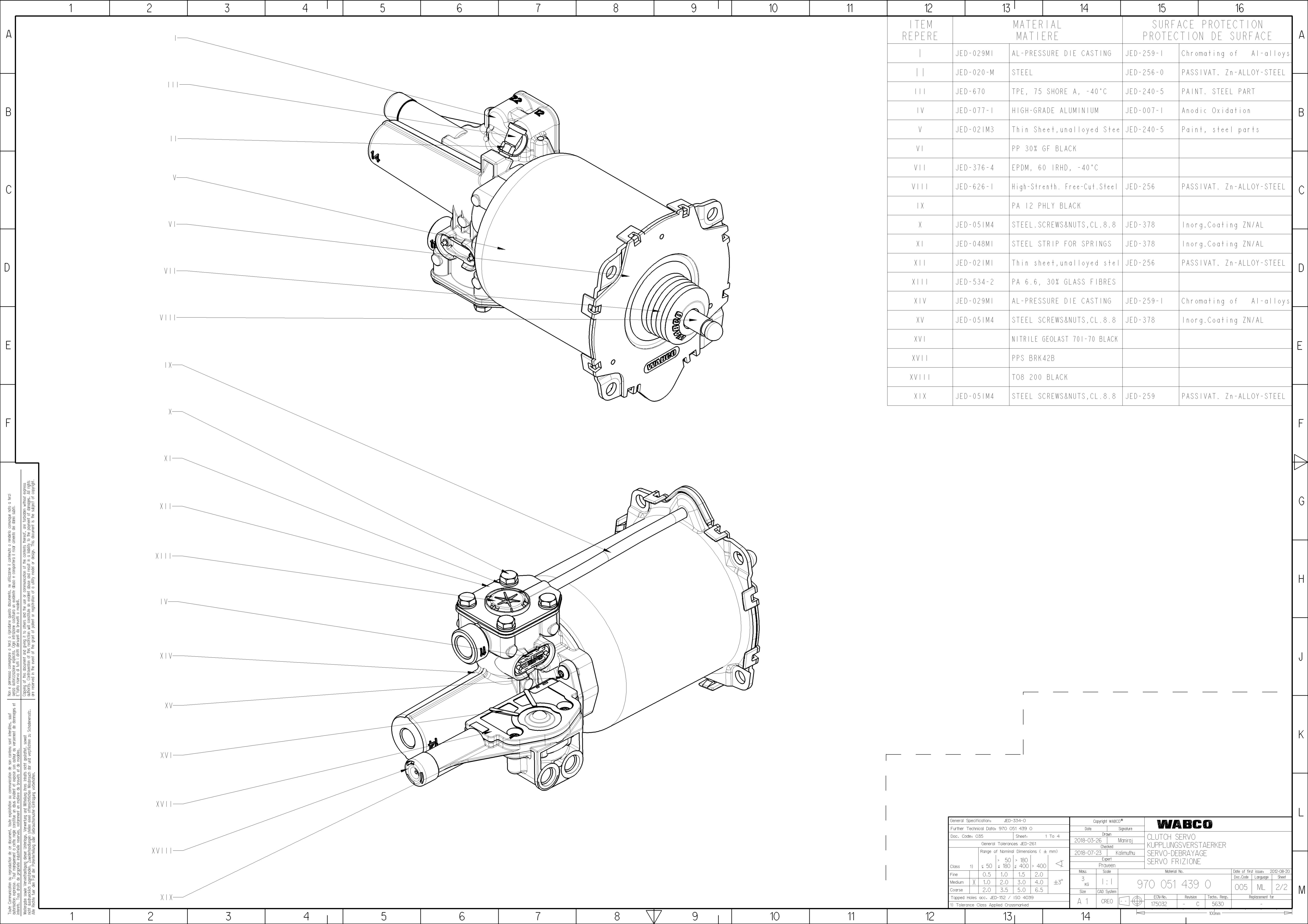
CAUTION :DO NOT ACTUATE THE DEVICE IF NOT FITTED ON ITS MOUNTING BRACKET
VORSICHT :GERAET DARF NUR IM EINGEBAUTEN ZUSTAND BETAETIGT WERDEN
ATTENTION :NE PAS ACTIONNER L'APPAREIL S'IL N'EST PAS FIXE SUR SON SUPPORT
ATTENZIONE:NON METTERE IN FUNZIONE L'APPARECCHIO SE NON E'FISSATO AL SUPPORTTO

MARKING OF PORTS KENNZEICHNUNG DER ANSCHLUESSE MARQUAGE DES ORIFICES MARCATURA DEGLI ORIFIZI		32	BLEED SCREW ENTLUEFTUNGSSCHRAUBE VIS DE PURGE VITE DI SPURGO
11	AIR INLET VORRATSLAUFUNG ALIMENTATION AIR ALIMENTAZIONE ARIA	12	AIR INLET VORRATSLAUFUNG ALIMENTATION AIR ALIMENTAZIONE ARIA
1-4	OIL INLET OELZUFLUSS ALIMENTATION HUILE ALIMENTAZIONE OLIO	22	DELIVERY AUSGESTEUERTE LUFT UTILISATION UTILIZZAZIONE
31	AIR EXHAUST ENTLUEFTUNG ECHAPPEMENT SCARICO	33	AIR EXHAUST ENTLUEFTUNG ECHAPPEMENT SCARICO
TORQUE FOR CONNECTIONS ANZUGSMOMENT FUER ANSCHLUESSE COUPLE DE SERRAGE DES RACCORDS COPPIA DI SERRAGGIO DEI RACCORDI		(1)	21 N.m MAX
		(2)	25 N.m MAX
		(3)	34 N.m MAX



General Specification: JED-334-O		Copyright WABCO®	
Further Technical Data: 970 051 439 O		Date: 2018-03-26	Signature: [Blank]
Doc. Code: 035		Checked: [Blank]	Monraj
Sheet: 1 To 4		2018-07-23	
General Tolerances JED-261		Expert: [Blank]	
Range of Nominal Dimensions (± mm)		Proven: [Blank]	
Class	1) ≤ 50	2) 50 > 180	3) 180 > 400
Fine	0.5	1.0	1.5
Medium	1.0	2.0	3.0
Coarse	2.0	3.5	5.0
Tapped Holes acc. JED-152 / ISO 4039		Material No. 970 051 439 O	
1) Tolerance Class Applied Crossmarked		Date of first issue: 2012-08-20	
		Doc.Code Language Sheet	
		005 ML 1/2	
		Ech.No. Revision Techn. Resp. Replacement for	
		175032 2x C 5630	

Note: This document is the property of WABCO. It is not to be reproduced, stored in a retrieval system, or transmitted in any form or by any means, electronic, mechanical, photocopying, recording, or by any information storage and retrieval system, without the prior written permission of WABCO. The information contained herein is confidential and its disclosure to third parties is prohibited. WABCO assumes no responsibility for any errors or omissions in this document.



ITEM REPERE	MATERIAL MATIERE		SURFACE PROTECTION PROTECTION DE SURFACE	
I	JED-029M1	AL-PRESSURE DIE CASTING	JED-259-1	Chromating of Al-alloys
II	JED-020-M	STEEL	JED-256-0	PASSIVAT. Zn-ALLOY-STEEL
III	JED-670	TPE, 75 SHORE A, -40°C	JED-240-5	PAINT. STEEL PART
IV	JED-077-1	HIGH-GRADE ALUMINIUM	JED-007-1	Anodic Oxidation
V	JED-021M3	Thin Sheet,unalloyed Steel	JED-240-5	Paint, steel parts
VI		PP 30% GF BLACK		
VII	JED-376-4	EPDM, 60 IRHD, -40°C		
VIII	JED-626-1	High-Strenth. Free-Cut.Steel	JED-256	PASSIVAT. Zn-ALLOY-STEEL
IX		PA 12 PHLV BLACK		
X	JED-051M4	STEEL.SCREWS&NUTS,CL.8.8	JED-378	Inorg.Coating ZN/AL
XI	JED-048M1	STEEL STRIP FOR SPRINGS	JED-378	Inorg.Coating ZN/AL
XII	JED-021M1	Thin sheet,unalloyed steel	JED-256	PASSIVAT. Zn-ALLOY-STEEL
XIII	JED-534-2	PA 6.6, 30% GLASS FIBRES		
XIV	JED-029M1	AL-PRESSURE DIE CASTING	JED-259-1	Chromating of Al-alloys
XV	JED-051M4	STEEL SCREWS&NUTS,CL.8.8	JED-378	Inorg.Coating ZN/AL
XVI		NITRILE GEOLAST 701-70 BLACK		
XVII		PPS BRK42B		
XVIII		T08 200 BLACK		
XIX	JED-051M4	STEEL SCREWS&NUTS,CL.8.8	JED-259	PASSIVAT. Zn-ALLOY-STEEL

Non è permesso copiare o riprodurre questo documento, né utilizzare o copiarlo a meno che non sia permesso dalla WABCO. È vietata espressamente la ristampa o l'uso non autorizzato. Tutti i diritti sono riservati. WABCO e i suoi marchi sono marchi registrati di WABCO. Tutti i diritti sono riservati. WABCO e i suoi marchi sono marchi registrati di WABCO.

General Specification: JED-334-0		Copyright WABCO®		WABCO	
Further Technical Data: 970 051 439 0		Date: 2018-03-26	Drawn: Maniraj	CLUTCH SERVO KUPPLUNGSVERSTÄRKER	
Doc. Code: 035	Sheet: 1 To 4	Checked: 2018-07-23	Expert: Kalimuthu	SERVO-DEBRAYAGE SERVO FRIZIONE	
General Tolerances JED-261		Proven		Material No. 970 051 439 0	
Range of Nominal Dimensions (± mm)				Date of first issue: 2012-08-20	Doc.Code Language Sheet
Class	1) ≤ 50	2) > 50 < 180	3) > 180 < 400	4) > 400	005 ML 2/2
Fine	0,5	1,0	1,5	2,0	
Medium	1,0	2,0	3,0	4,0	
Coarse	2,0	3,5	5,0	6,5	
Tapped Holes acc. JED-152 / ISO 4039		Scale: 1:1		Ech.No. 175032	
1) Tolerance Class Applied: Crossmarked		Size: CAD System		Revision: - C	
		A 1 CREO		Techn. Resp. 5630	

100mm