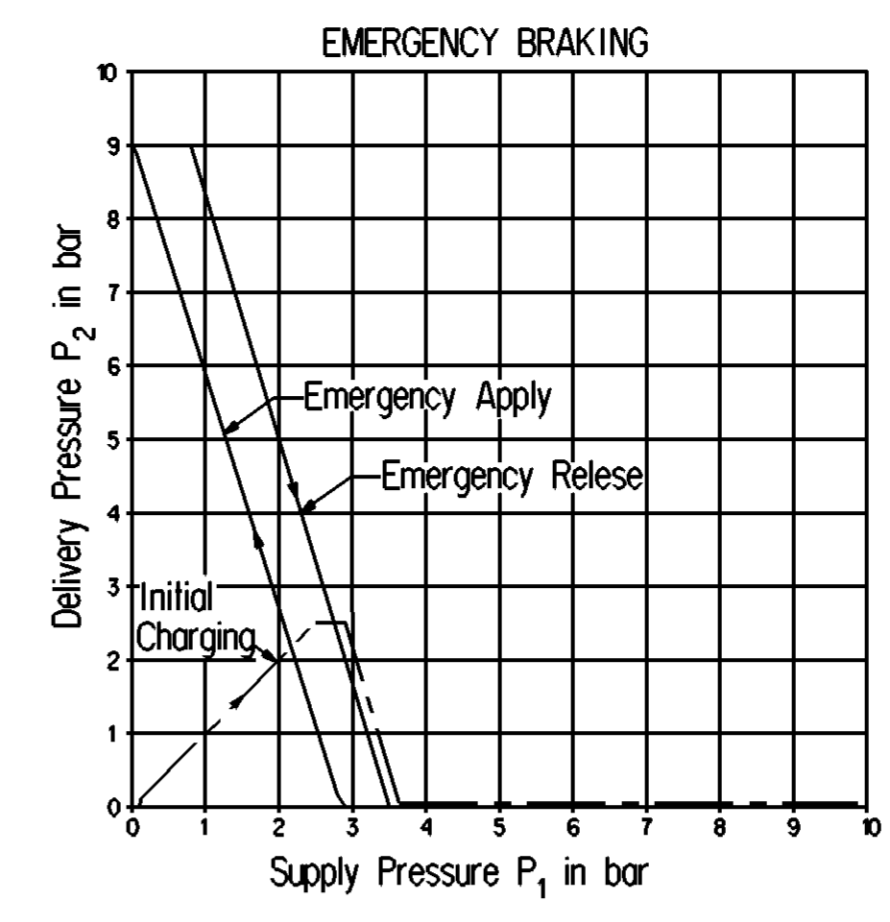
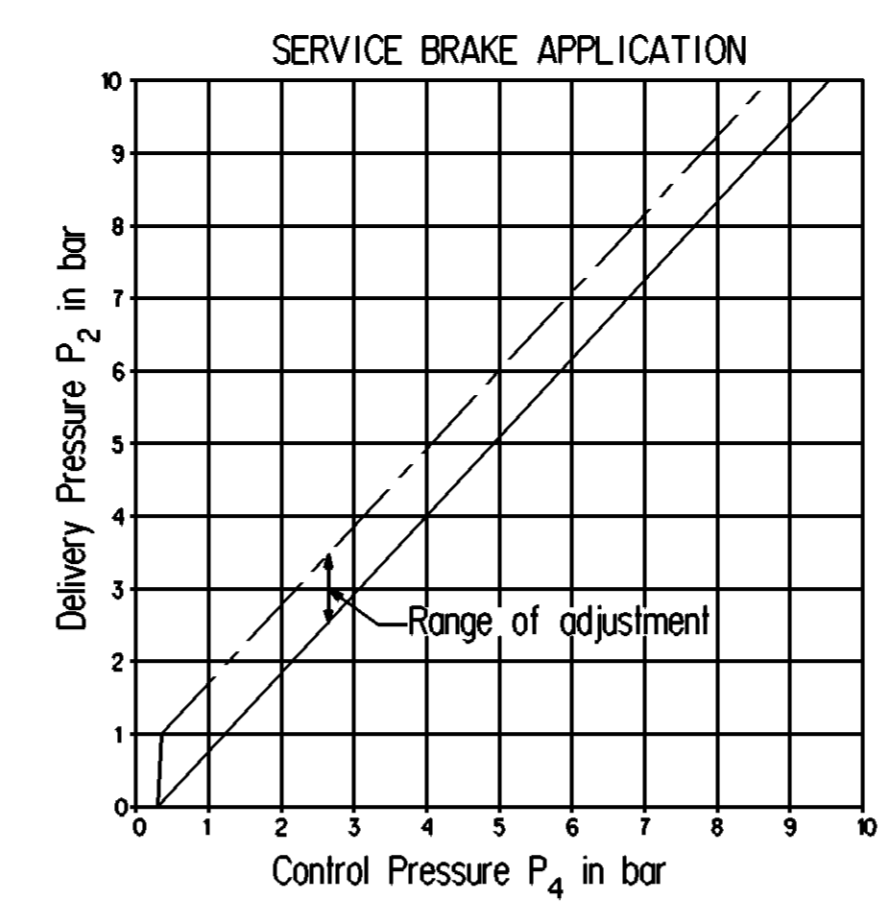
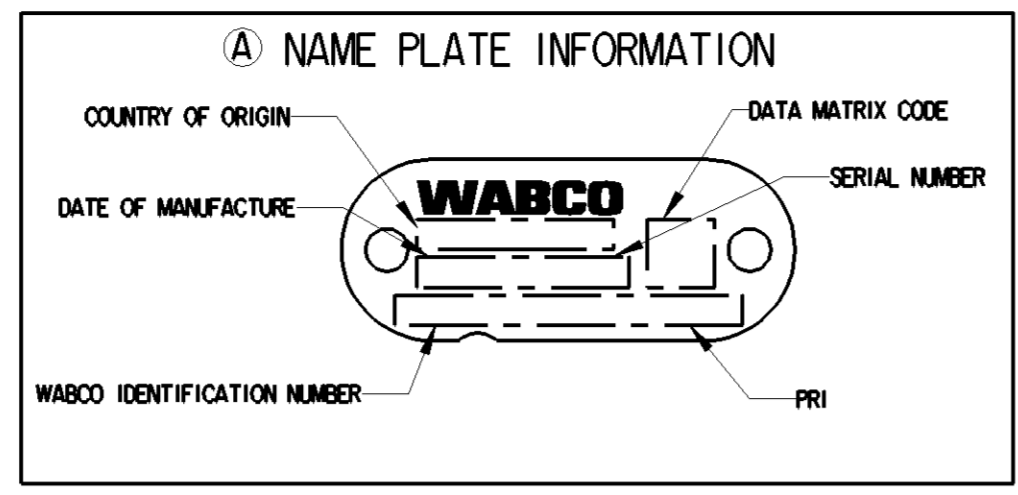
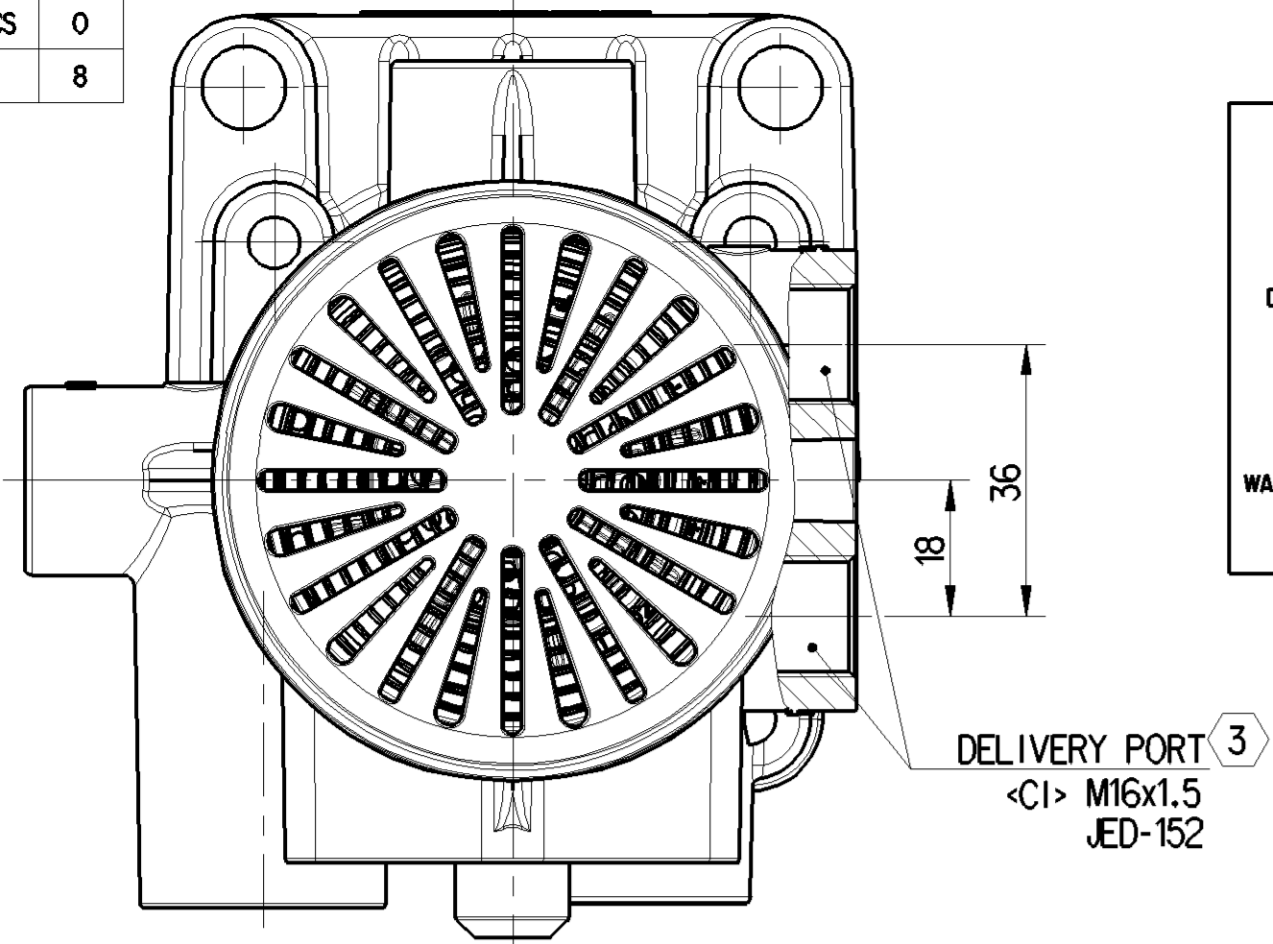
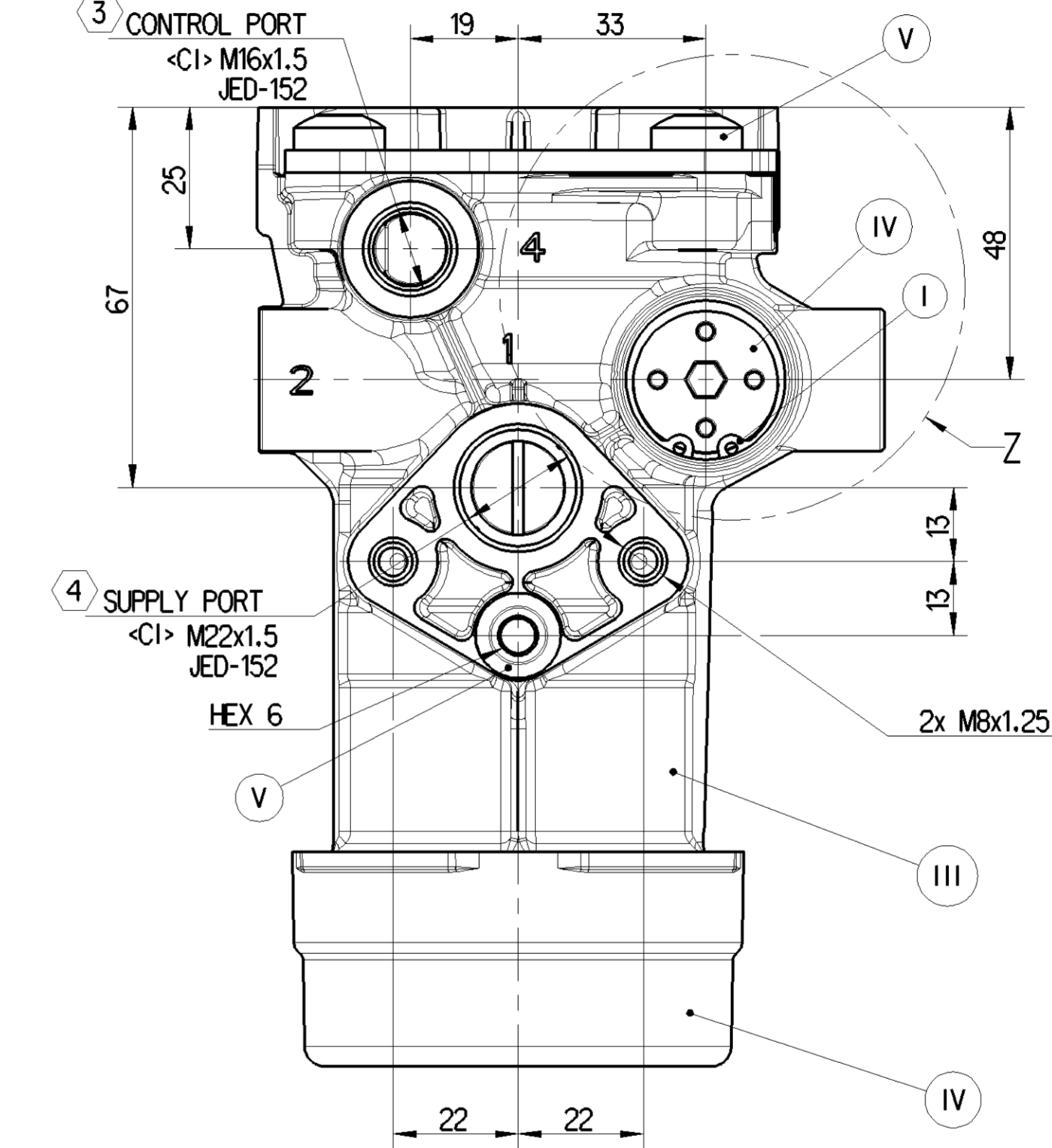
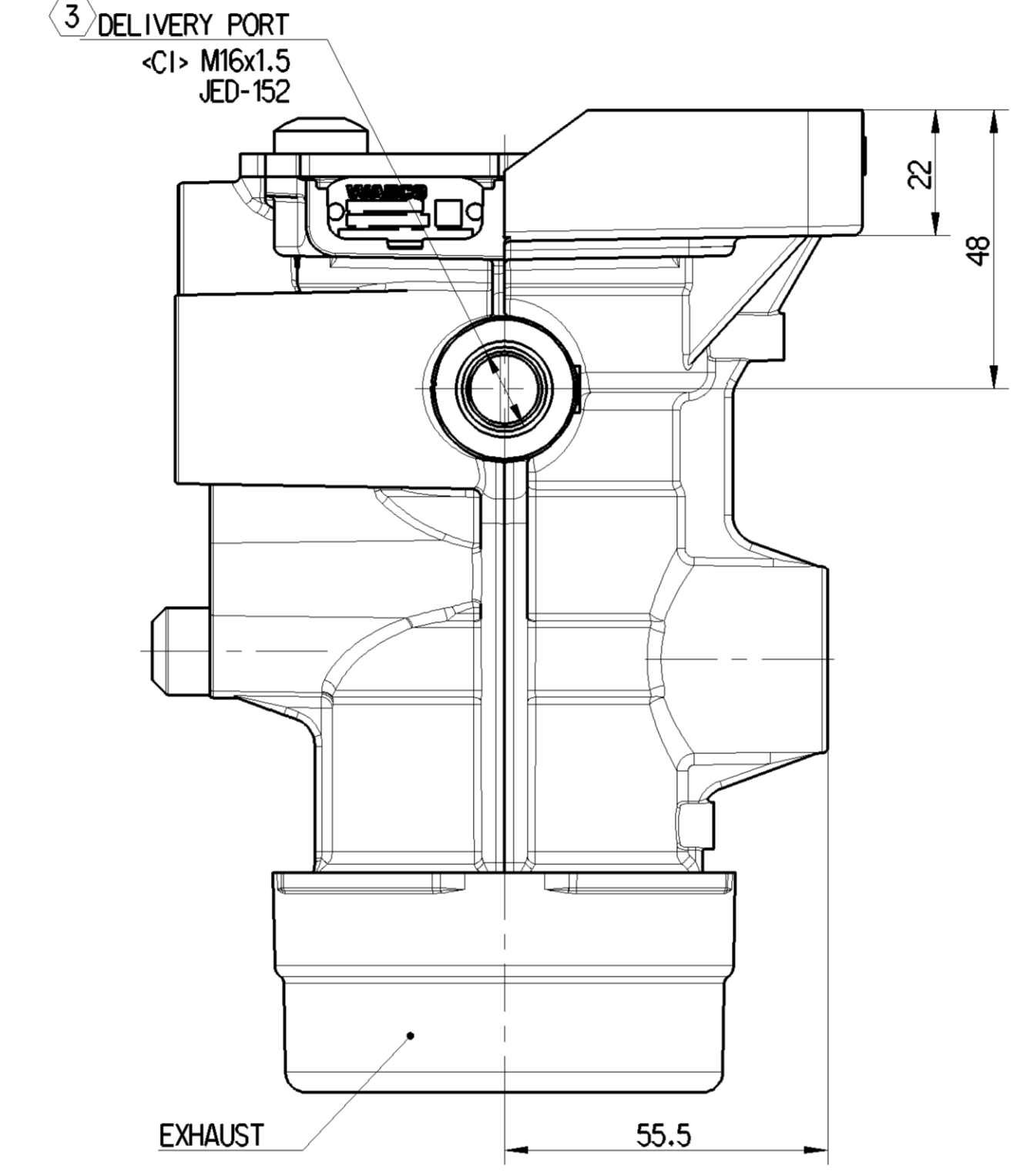
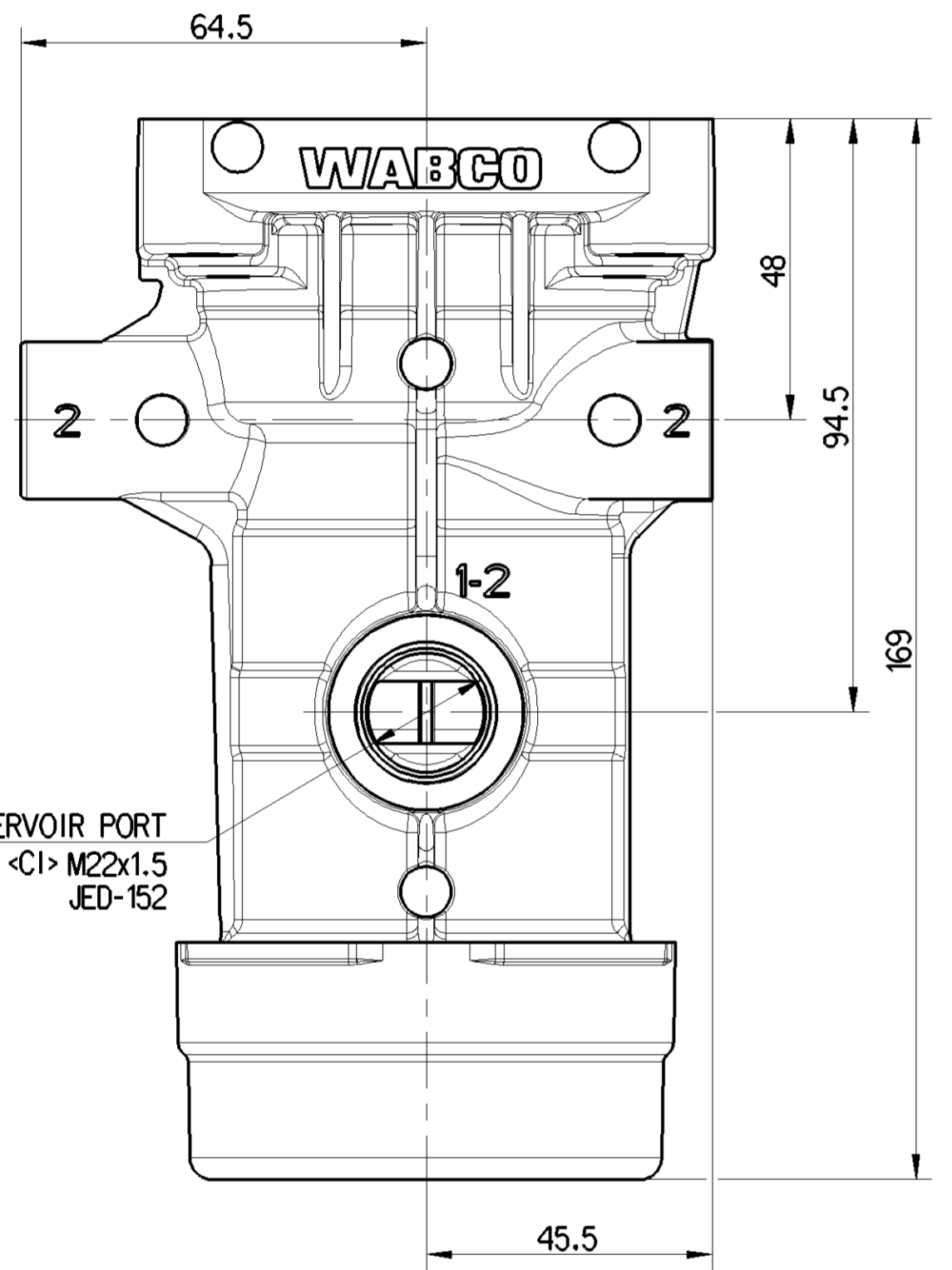


<1> SAFETY CHARACTERISTICS	0
<2> SIGNIFICANT CHARACTERISTICS	0
<C1> CUSTOMER INTERFACE	8



WORKING MEDIUM	AIR	
THERMAL RANGE OF APPLICATION	-40° TO +65°C	
SHORT TERM RESISTANCE TO HEAT	MAX. 1h AT 110°C	
NOMINAL WORKING PRESSURE	9 bar	
MAXIMUM WORKING PRESSURE	10 bar	
PREDOMINANCE ADJUSTMENT RANGE PRESSURE	0 TO 0.7 bar	
FILLING CRACK-OFF	0.5 bar MAX.	
RELAY RATIO	>1	
CRACK-OFF PRESSURE (WITHOUT PREDOM)	0.3 bar MAX. ( +65°C TO -20°C ) 0.35 bar MAX. ( -20°C TO -40°C )	
INSTALLATION POSITION	VERTICAL ±60° ALLOWED	
PORT DESIGNATION	1	SUPPLY PORT
	1-2	RESERVOIR PORT
	2 (3x)	DELIVERY PORT
	4	CONTROL PORT
TIGHTENING TORQUE FOR MOUNTING BOLTS	45±2 Nm	

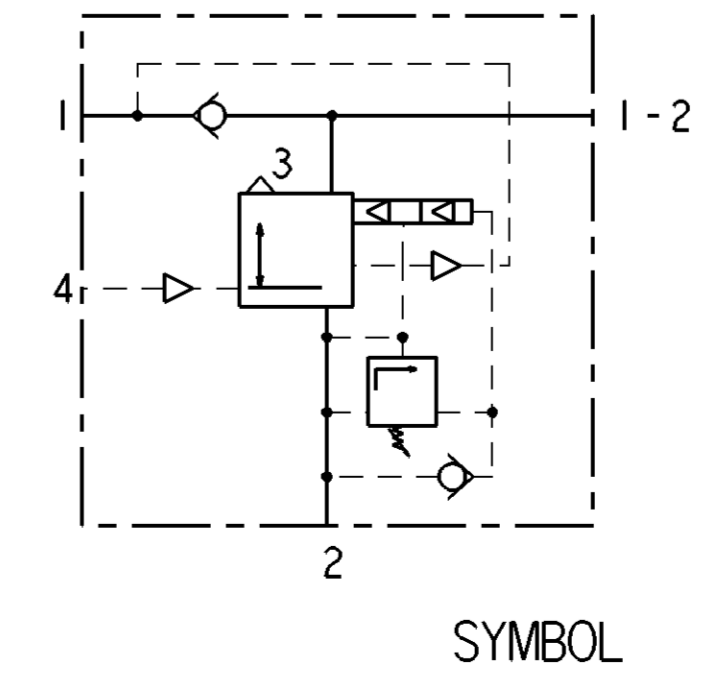
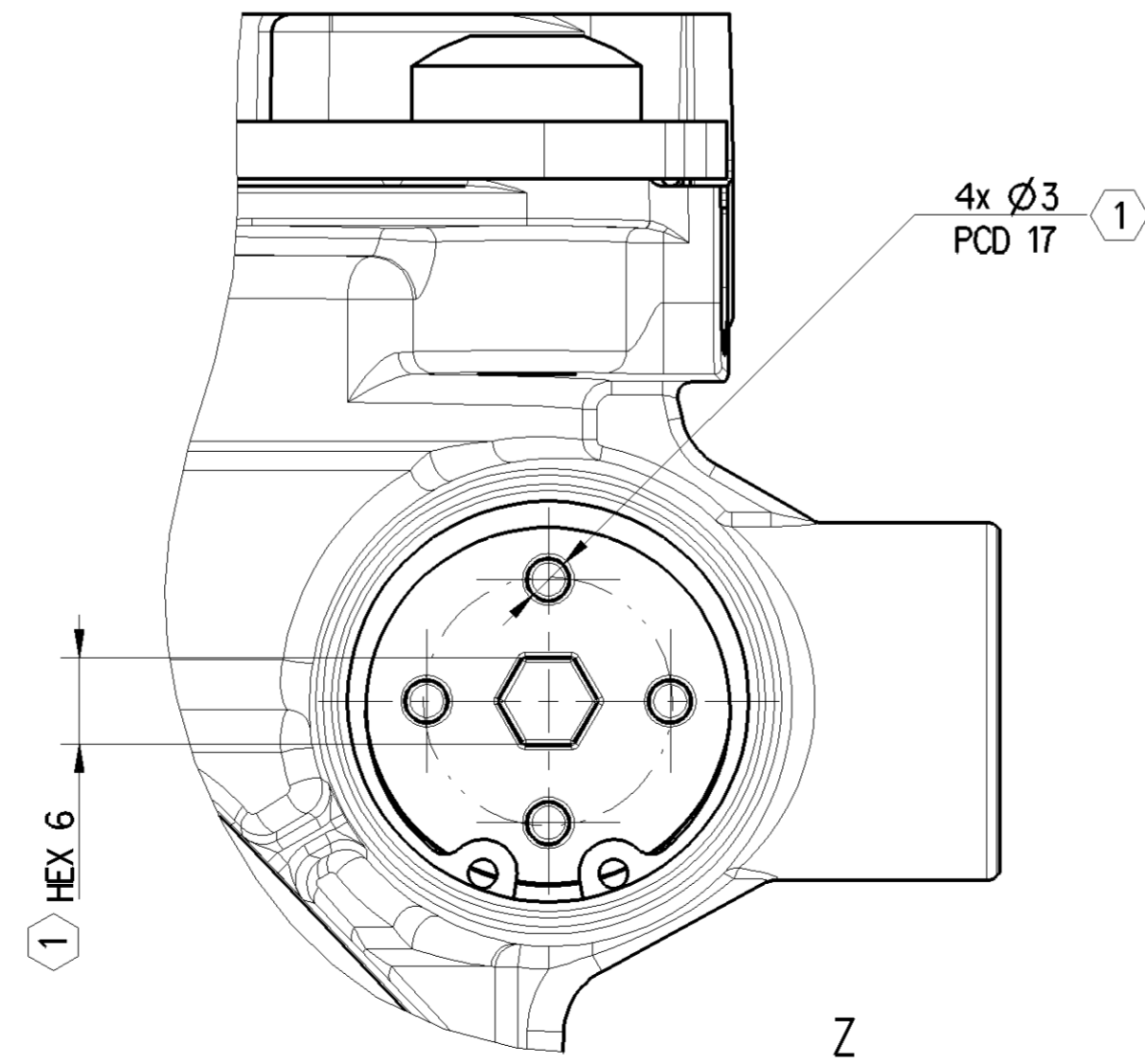
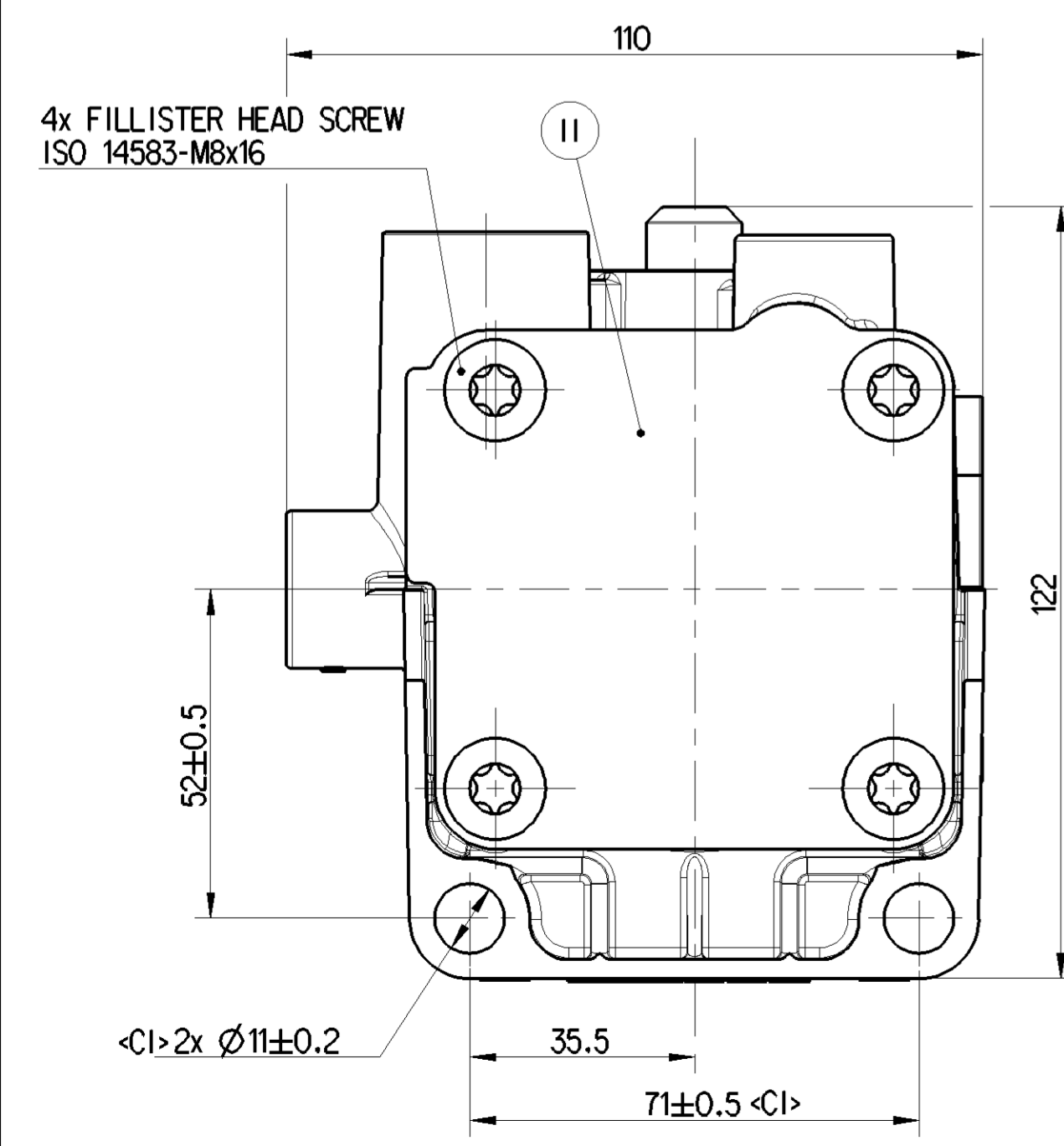


CONDITION	FROM	TO	NOMINAL DIAMETER
FILLING	PORT 1	PORT 1-2	≥10 mm
BRAKING	PORT 1-2	PORT 2	≥11.5 mm
EXHAUSTING	PORT 2	PORT 3	≥10.6 mm

PART CODE	MATERIAL	SURFACE PROTECTION
V	STEEL	ZINC NICKEL PLATED
IV	PLASTIC	NO TREATMENT
III	ALUMINIUM ALLOY	CHROMATED
II	STEEL	POWDER COATED
I	STEEL	ZINC PLATED

- NOTE:
- 1 PREDOMINANCE ADJUSTMENT
  - 2 ATTACHMENT OF TRAILER RELEASE VALVE  
RECOMMENDED TORQUE: 18±2 Nm
- RECOMMENDED TORQUE FOR FITTINGS:
- 3 THREAD-M16x1.5, TIGHTENING TORQUE: 30 TO 35 Nm
  - 4 THREAD-M22x1.5, TIGHTENING TORQUE: 34 TO 40 Nm

Tutti i diritti sono riservati. È vietata espressamente la ristampa o l'uso non autorizzato senza permesso scritto dalla WABCO. La WABCO non si assume alcuna responsabilità per danni materiali o morali.



General Specifications: JED-334-1 - Size ISO 14405 LP		Copyright WABCO®			
Further Technical Data: 971 002 049 0		Date: 2021-05-31	Signature: M S		
Doc. Code: 035	Sheet: 1 To 56	Checked: 2021-07-29	Expert: Szyzka		
General Tolerances JED-261		Pomuragoraj C			
Class	1) ≤ 50	> 50	> 180	> 400	∇
Fine	0.5	1.0	1.5	2.0	
Medium	X 1.0	2.0	3.0	4.0	±3°
Coarse	2.0	3.5	5.0	6.5	
Tapped Holes acc. -		1) Tolerance Class Applied Crossmarked			
Mass	1.240 kg	Scale	1:1	Material No. 971 002 020 0	
Size	2x1	Revision	1x A	Date of first issue	2019-08-14
Doc. Code: 507805		Revision: 1x A		Doc. Code	005
Language		EN		Sheet	1/1

Tutti i diritti sono riservati. È vietata espressamente la ristampa o l'uso non autorizzato senza permesso scritto dalla WABCO. La WABCO non si assume alcuna responsabilità per danni materiali o morali.