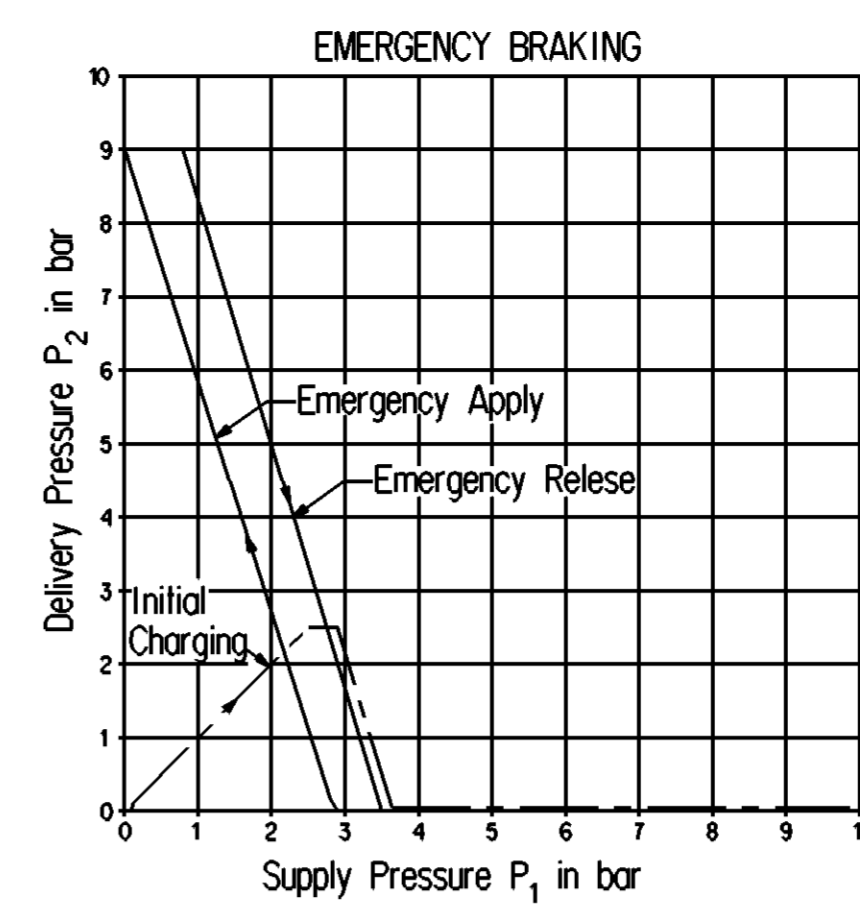
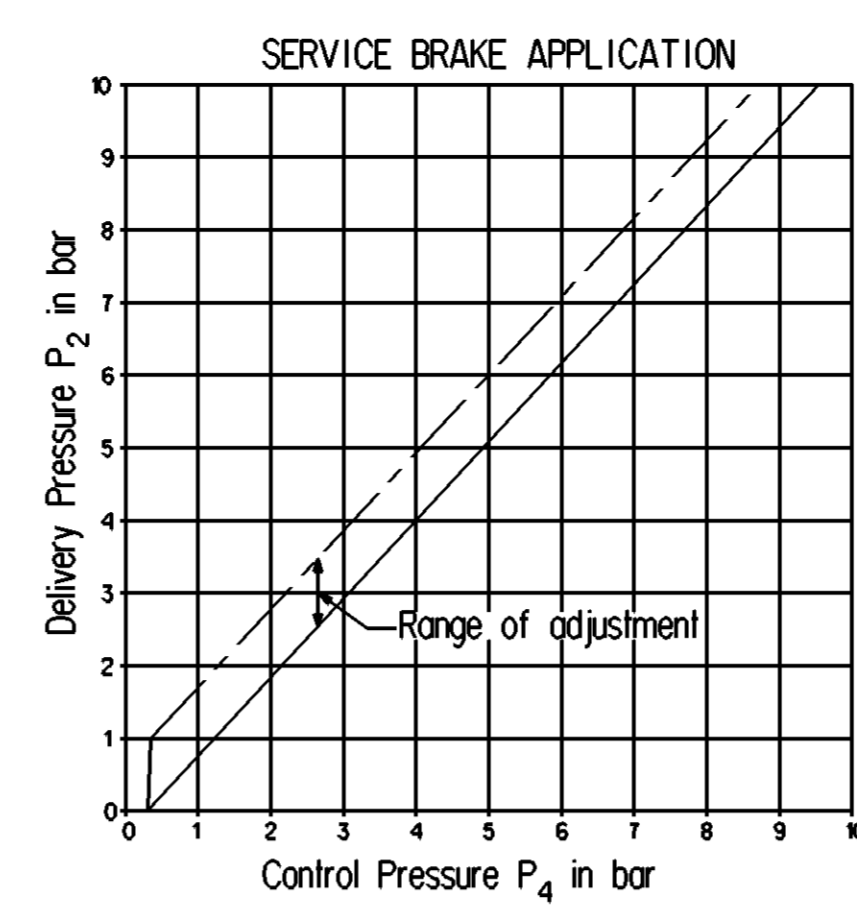
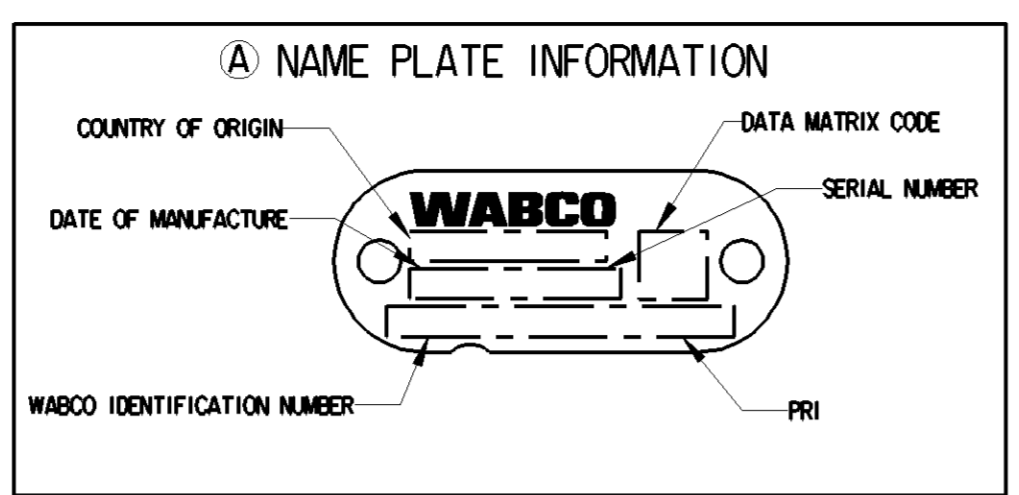
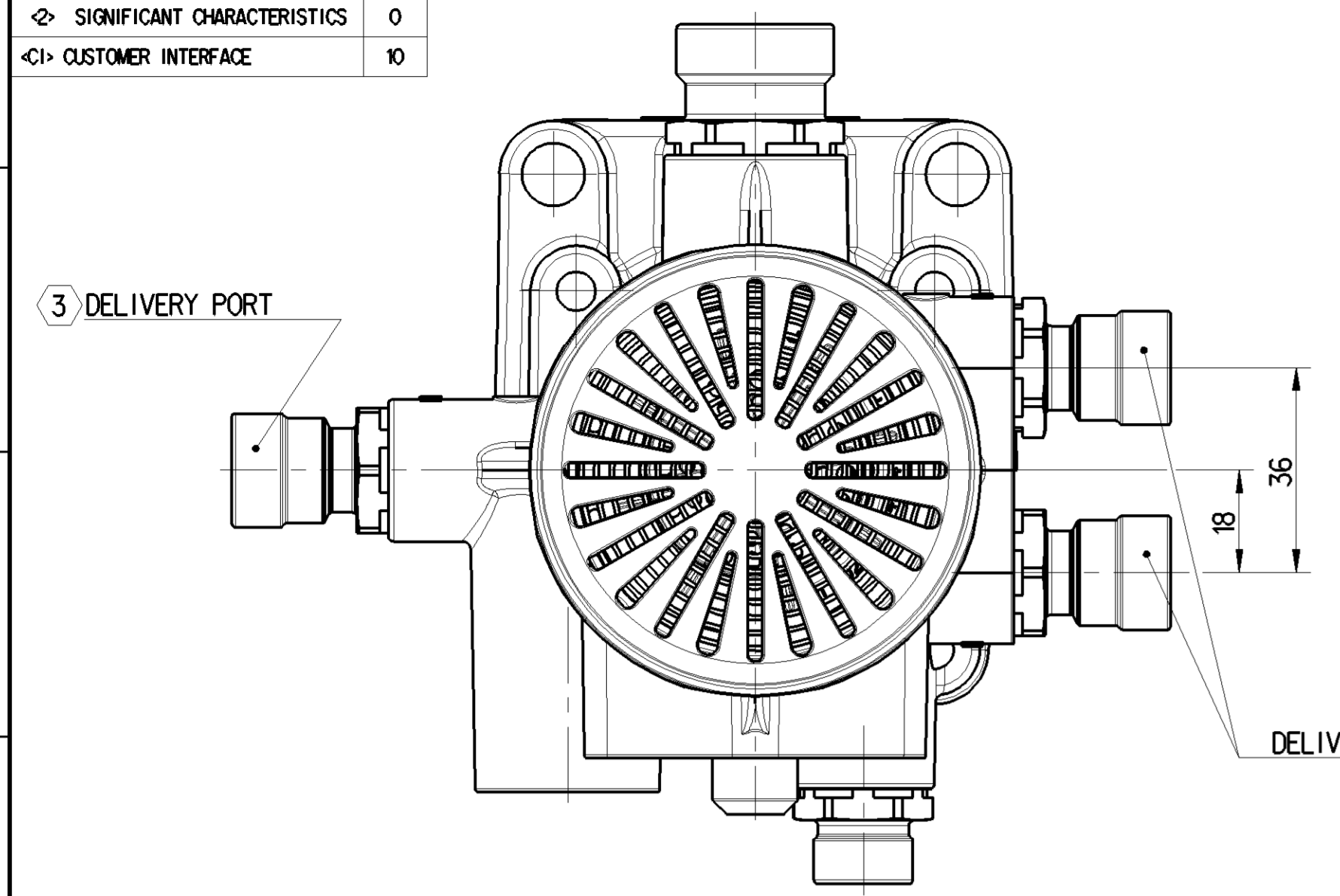
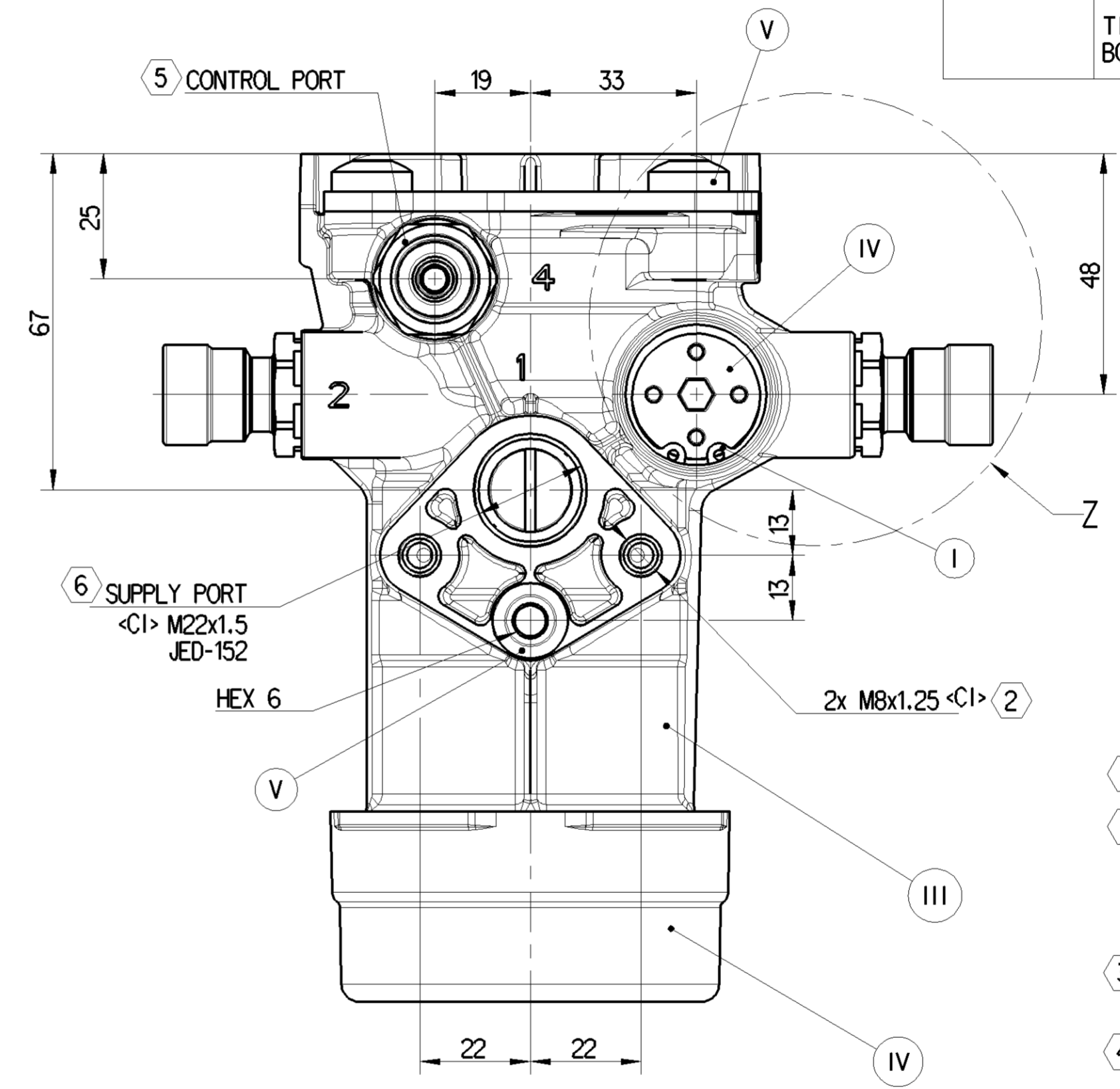
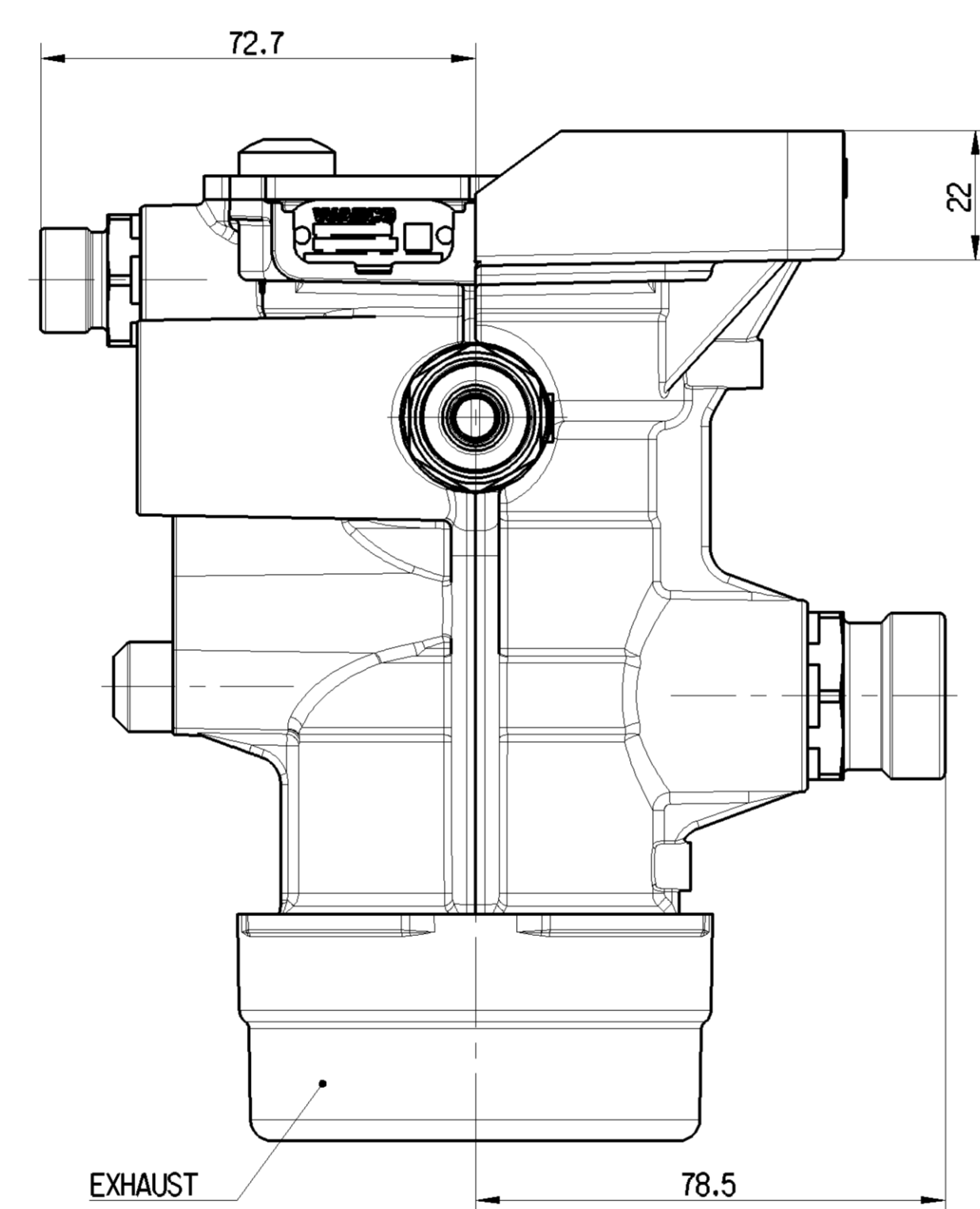
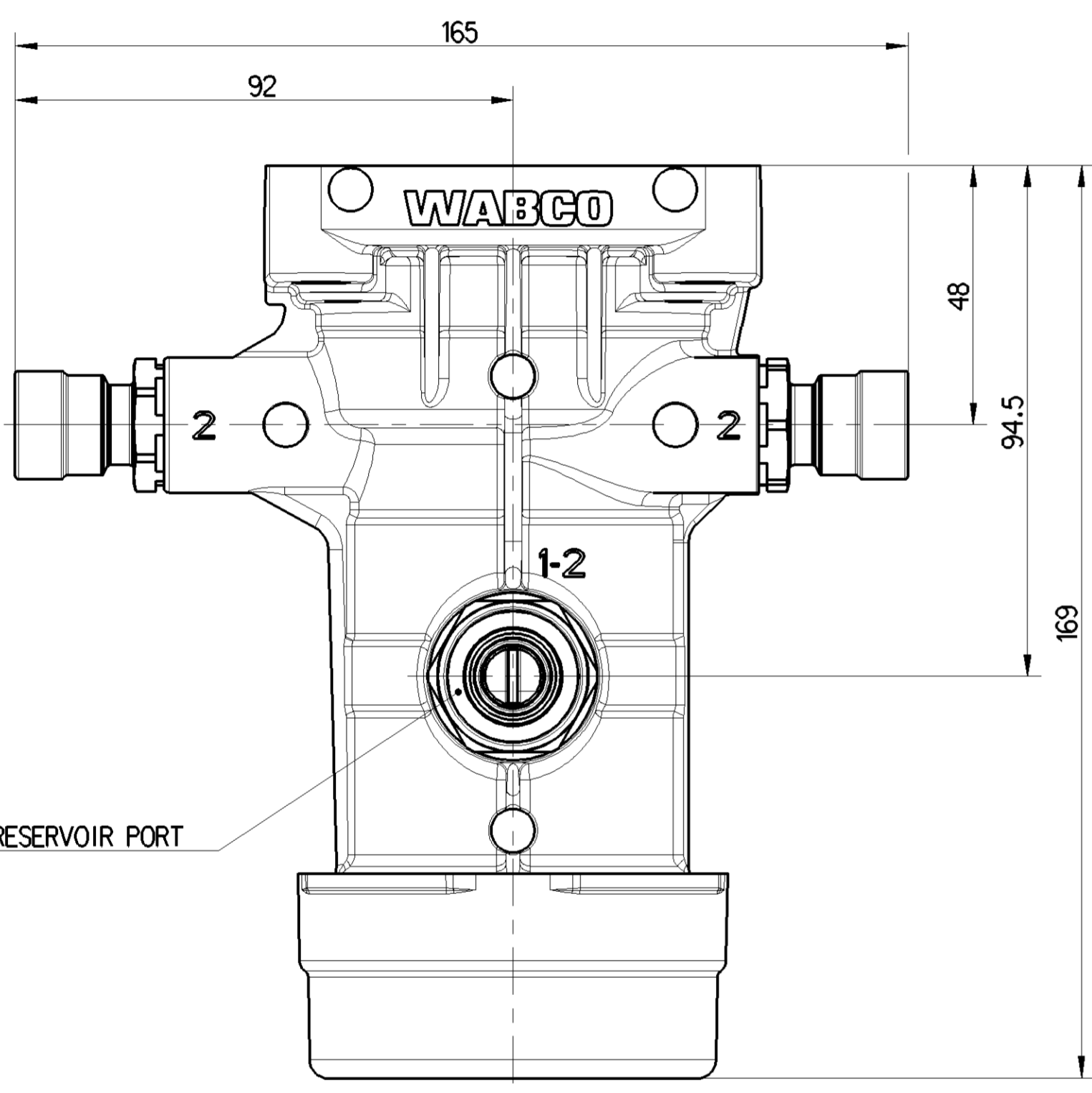


<1> SAFETY CHARACTERISTICS	0
<2> SIGNIFICANT CHARACTERISTICS	0
<C1> CUSTOMER INTERFACE	10



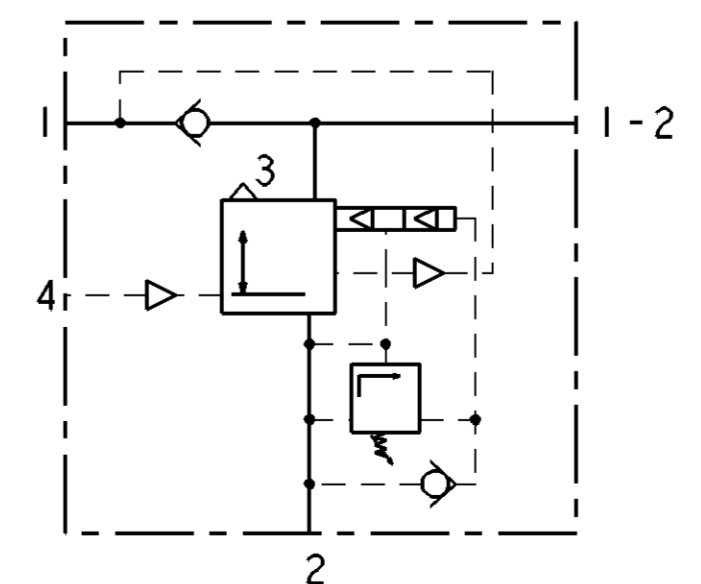
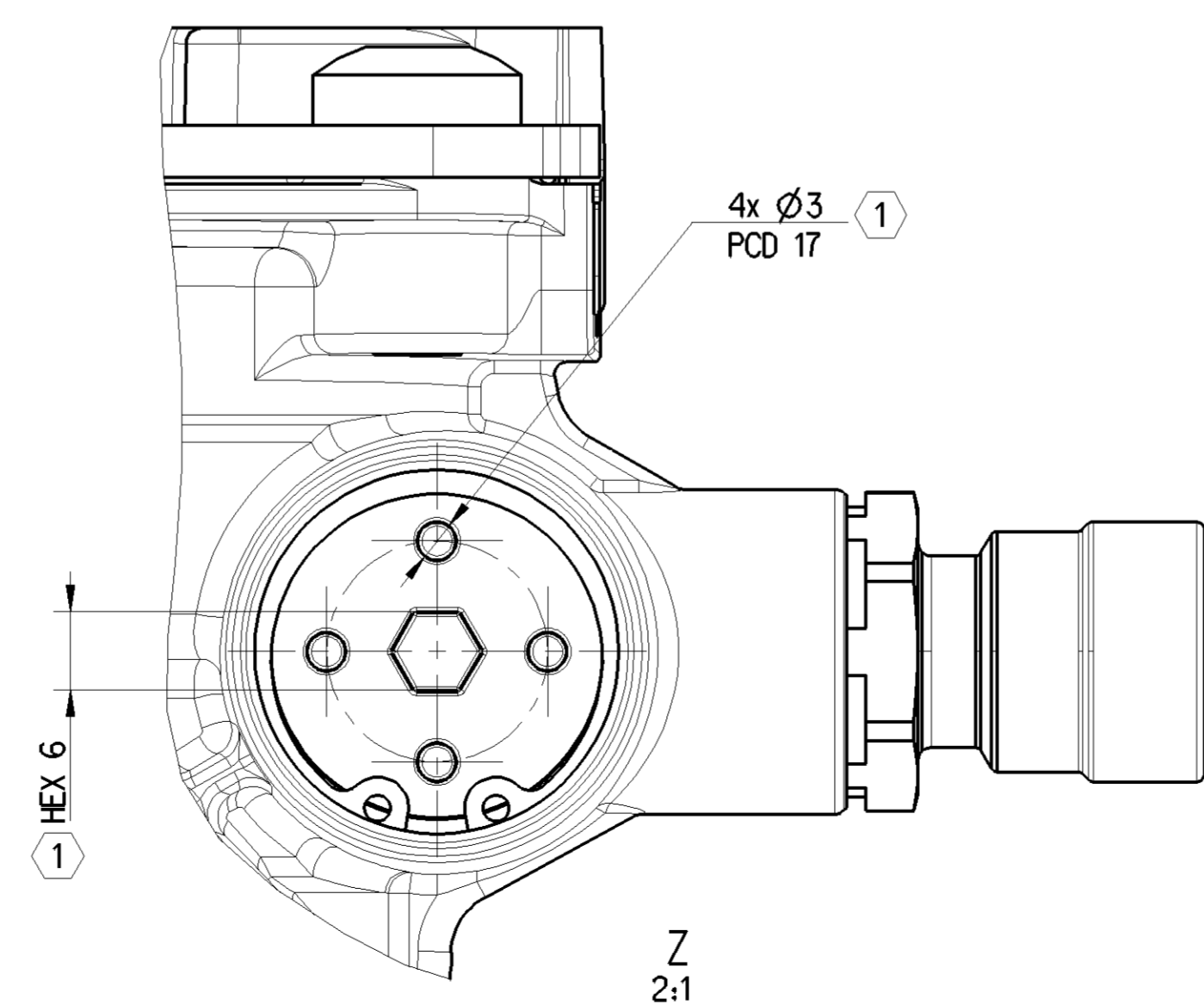
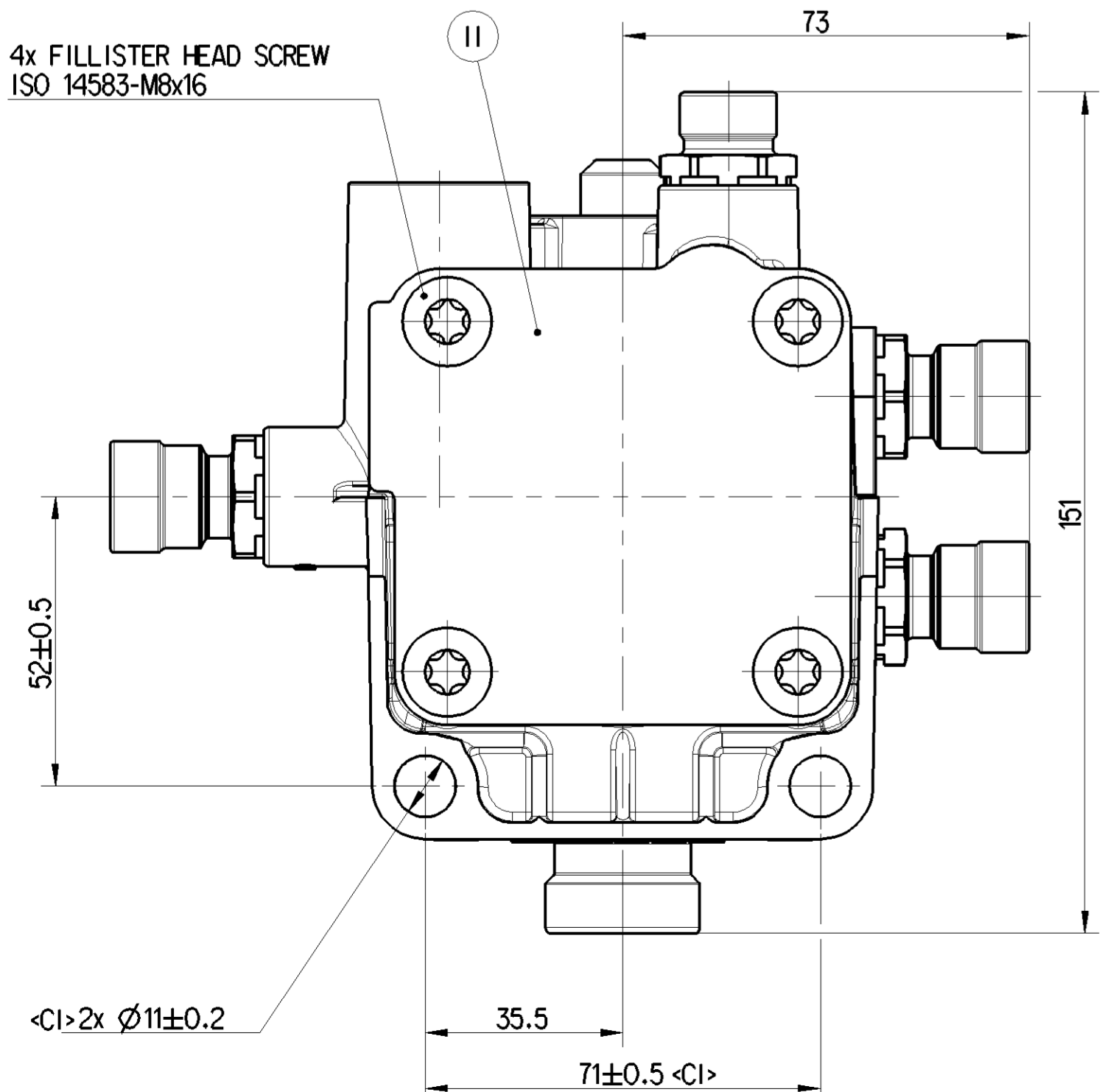
WORKING MEDIUM	AIR
THERMAL RANGE OF APPLICATION	-40° TO +65°C
SHORT TERM RESISTANCE TO HEAT	MAX. 1h AT 110°C
NOMINAL WORKING PRESSURE	9 bar
MAXIMUM WORKING PRESSURE	10 bar
PREDOMINANCE ADJUSTMENT RANGE PRESSURE	0 TO 0.7 bar
FILLING CRACK-OFF	0.5 bar MAX.
RELAY RATIO	>1
CRACK-OFF PRESSURE (WITHOUT PREDOM)	0.3 bar MAX. (+65°C TO -20°C) 0.35 bar MAX. (-20°C TO -40°C)
INSTALLATION POSITION	VERTICAL ±60° ALLOWED
PORT DESIGNATION	1 SUPPLY PORT 1-2 RESERVOIR PORT 2 (3x) DELIVERY PORT 4 CONTROL PORT
TIGHTENING TORQUE FOR MOUNTING BOLTS	45±2 Nm



CONDITION	FROM	TO	NOMINAL DIAMETER
FILLING	PORT 1	PORT 1-2	≥10 mm
BRAKING	PORT 1-2	PORT 2	≥11.5 mm
EXHAUSTING	PORT 2	PORT 3	≥10.6 mm

V	STEEL	ZINC NICKEL PLATED
IV	PLASTIC	NO TREATMENT
III	ALUMINIUM ALLOY	CHROMATED
II	STEEL	POWDER COATED
I	STEEL	ZINC PLATED
PART CODE	MATERIAL	SURFACE PROTECTION

- NOTE:
- 1 PREDOMINANCE ADJUSTMENT
 - 2 ATTACHMENT OF TRAILER RELEASE VALVE RECOMMENDED TORQUE: 18±2 Nm
- FITTING DETAILS:
- 3 TUBE SIZE-10x1 <C1>, PUSH IN LENGTH -24mm <C1> HEX 22, THREAD-M16x1.5, TIGHTENING TORQUE 30 TO 35 Nm
 - 4 TUBE SIZE-15x1.5 <C1>, PUSH IN LENGTH -27mm <C1> HEX 28, THREAD-M22x1.5, TIGHTENING TORQUE 34 TO 40 Nm
 - 5 TUBE SIZE-8x1 <C1>, PUSH IN LENGTH -20.5mm <C1> HEX 22, THREAD-M16x1.5, TIGHTENING TORQUE 30 TO 35 Nm
- RECOMMENDED TORQUE FOR FITTINGS:
- 6 THREAD-M22x1.5, TIGHTENING TORQUE: 34 TO 40 Nm



General Specifications: JED-334-1 - Size ISO 14405 LP		Copyright WABCO®		
Further Technical Data: 971 002 049 0		Date: 2021-05-31	Signature: M S	
Doc. Code: 035	Sheet: 1 To 56	Checked: 2021-07-29	Expert: Szyszka	
General Tolerances JED-261		Pomuragoraj C		
Range of Nominal Dimensions (± mm)				
Class	1) ≤ 50	> 50 < 180	> 180 < 400	> 400
Fine	0.5	1.0	1.5	2.0
Medium	X 1.0	2.0	3.0	4.0
Coarse	2.0	3.5	5.0	6.5
Tapped Holes acc. -				
1) Tolerance Class Applied Crossmarked				

Mass	1.447 kg	Scale	1:1
Size	2:1	CAD System	
Material No.		Date of first issue: 2018-08-14	
971 002 021 0		005 EN 1/1	
EDM-No.	507805	Revision	1x A
Tech. Resp.		5250	
Replacement for			

Tutti i diritti sono riservati. È vietata espressamente la ristampa o l'uso non autorizzato senza permesso scritto dalla WABCO. La WABCO non è responsabile per danni di qualsiasi natura derivanti dall'uso non autorizzato di questo documento.