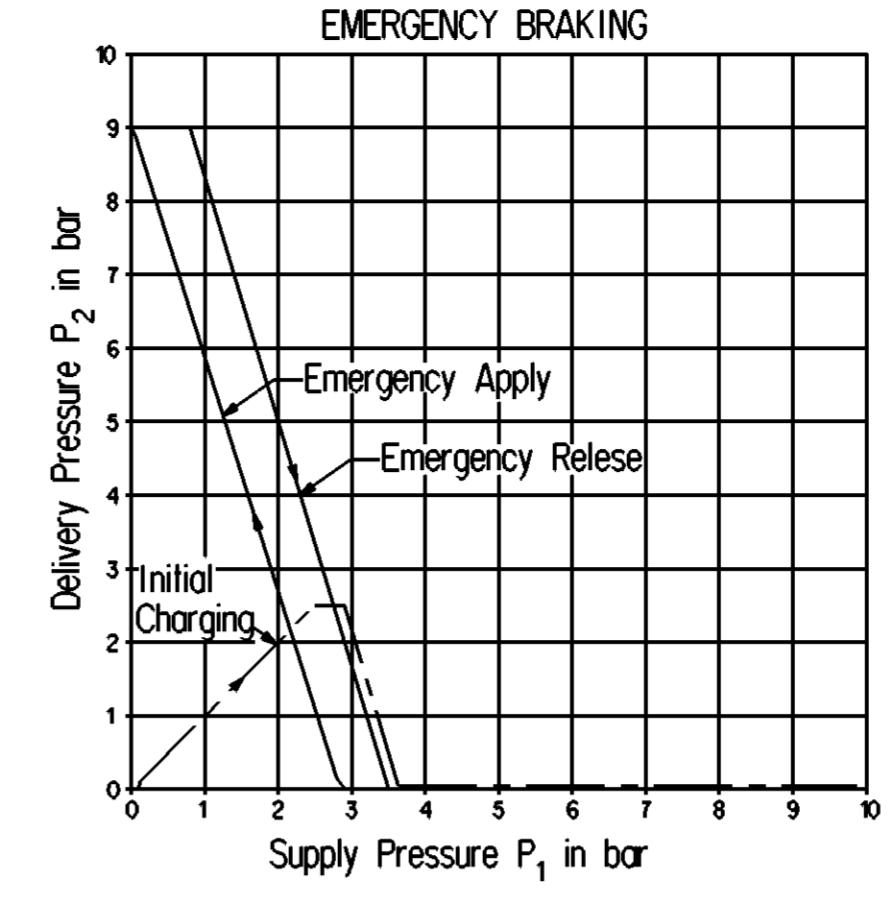
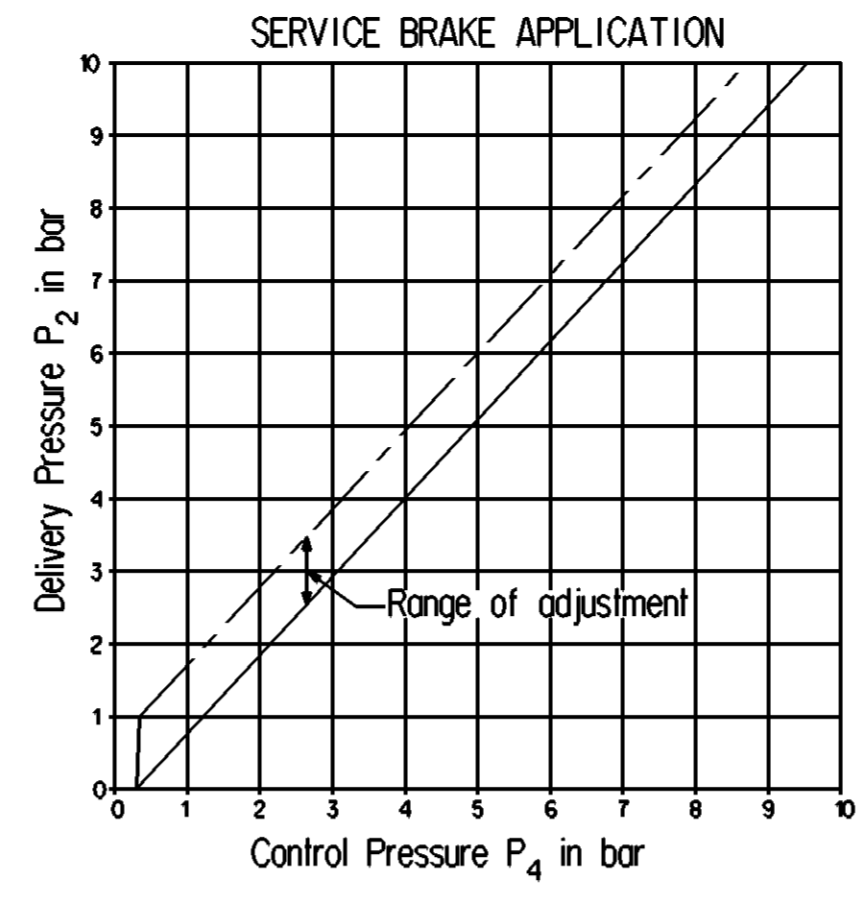
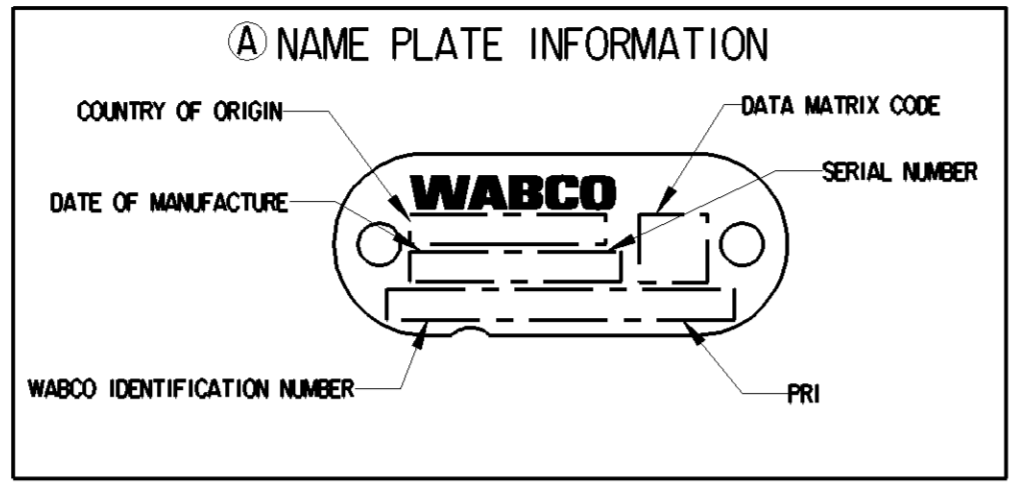
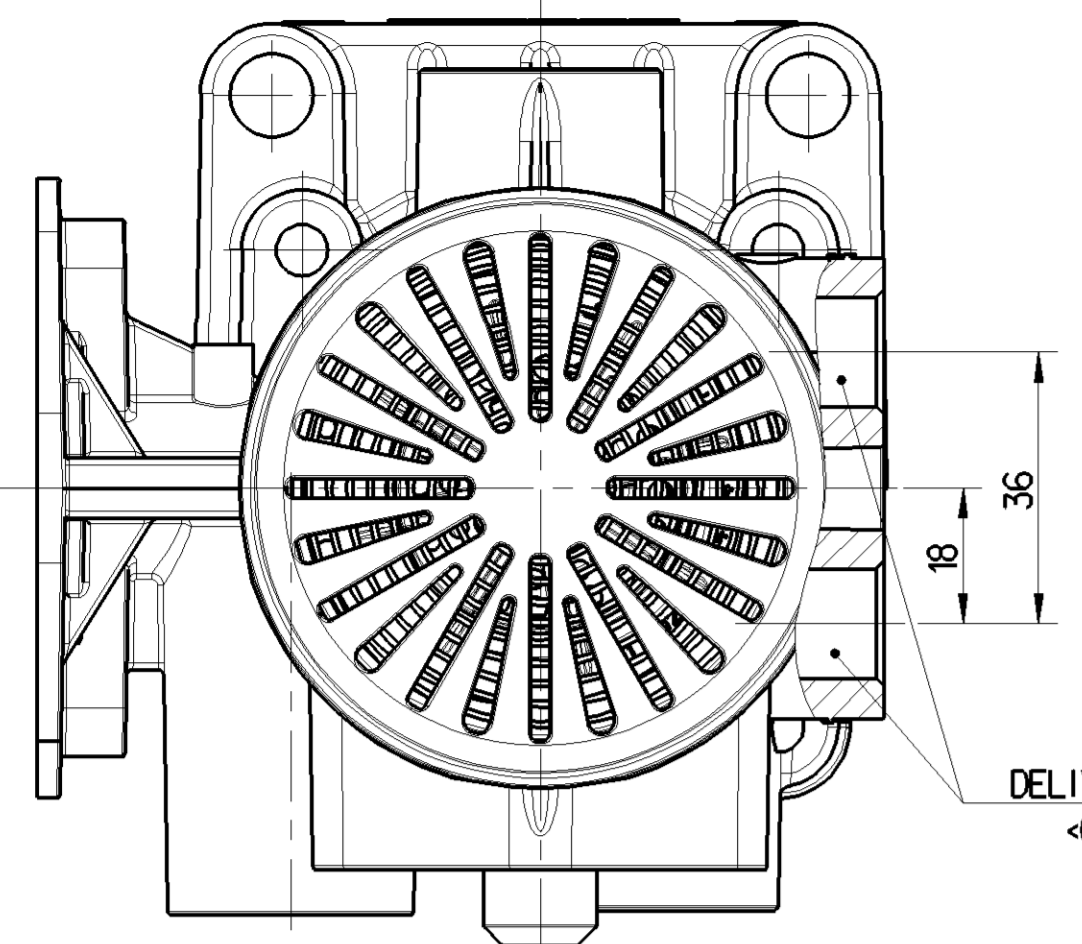
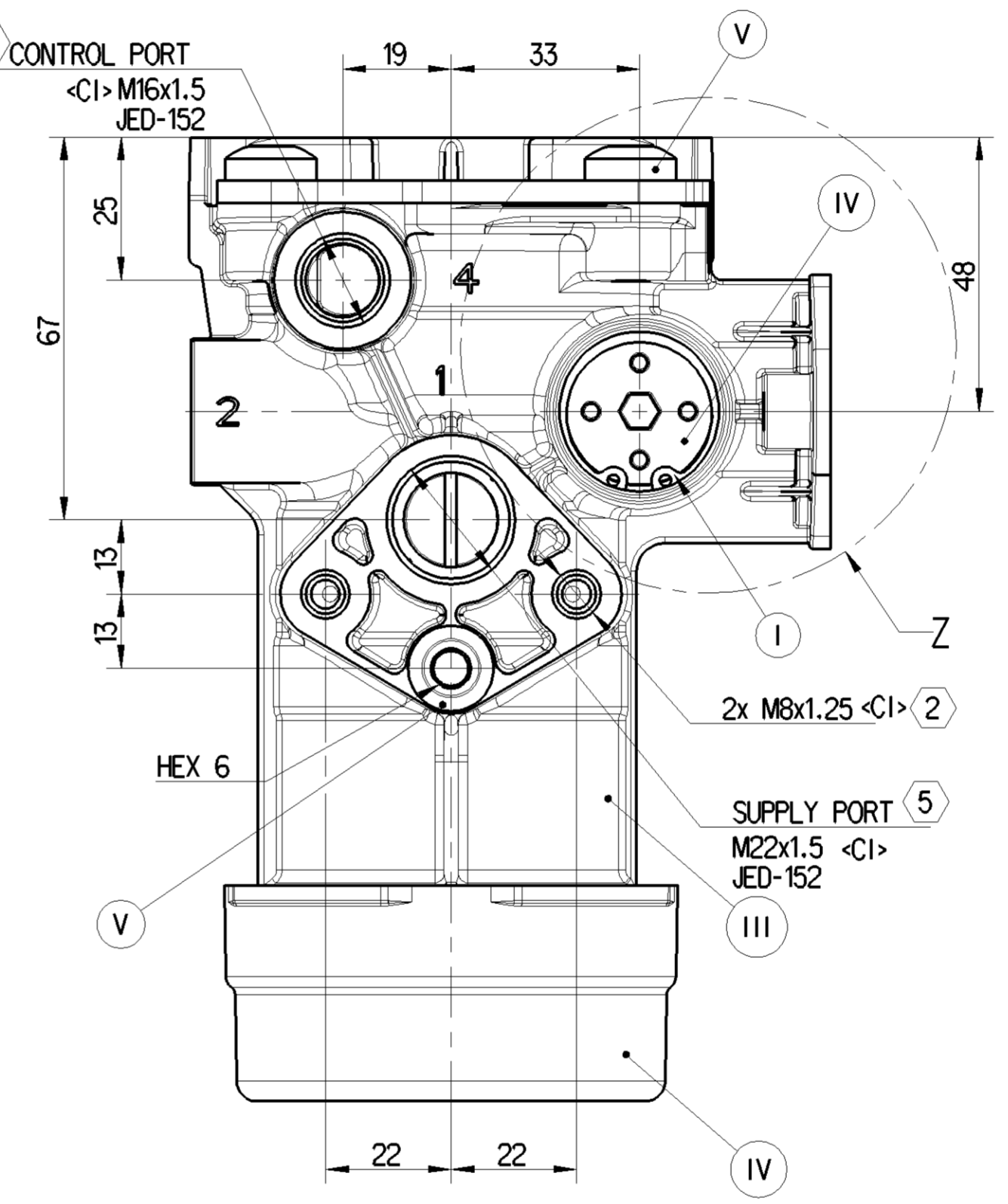
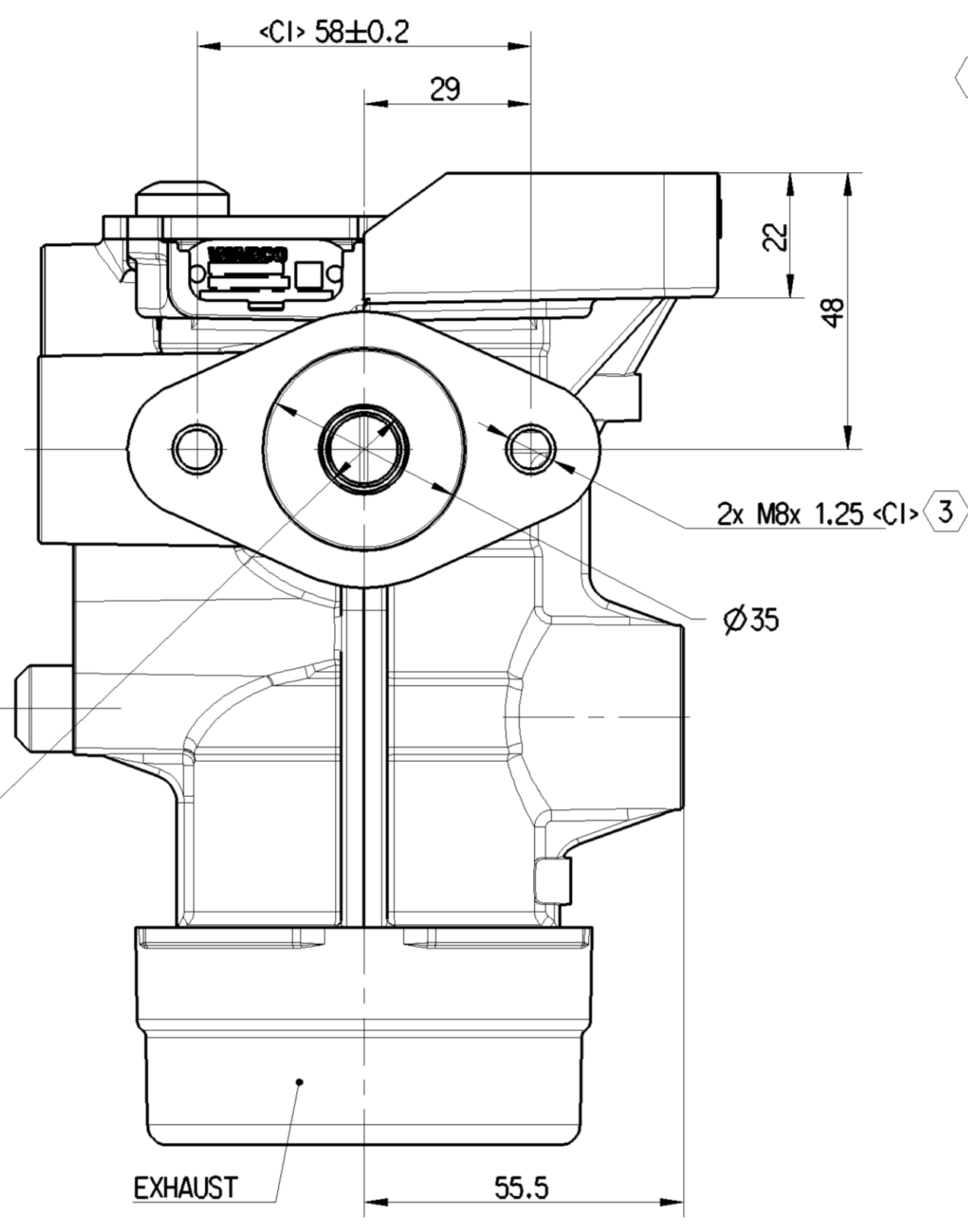
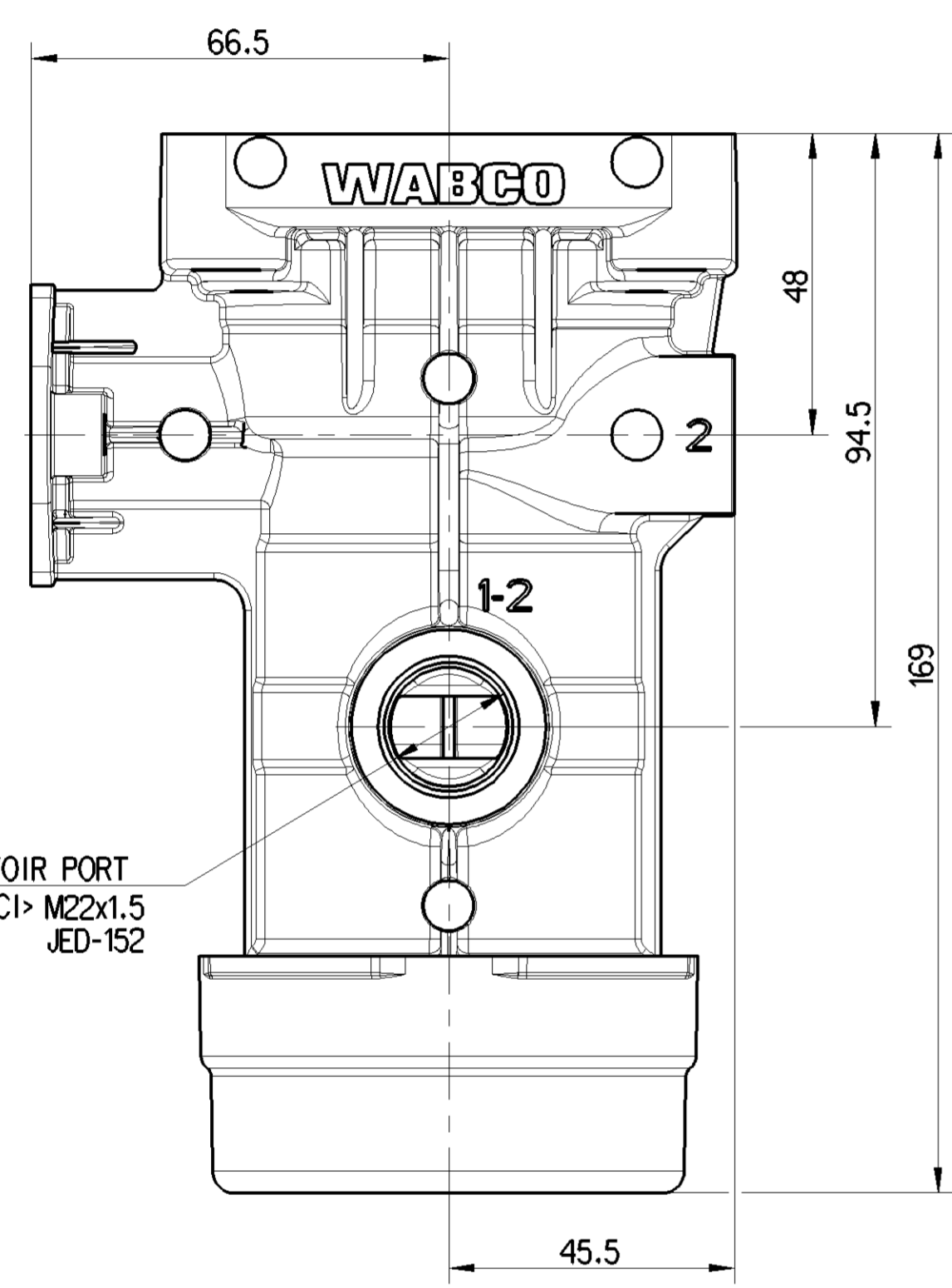


<1> SAFETY CHARACTERISTICS	0
<2> SIGNIFICANT CHARACTERISTICS	0
<C1> CUSTOMER INTERFACE	10



WORKING MEDIUM	AIR	
THERMAL RANGE OF APPLICATION	-40° TO +65°C	
SHORT TERM RESISTANCE TO HEAT	MAX. 1h AT 110°C	
NOMINAL WORKING PRESSURE	9 bar	
MAXIMUM WORKING PRESSURE	10 bar	
PREDOMINANCE ADJUSTMENT RANGE PRESSURE	0 TO 0.7 bar	
FILLING CRACK-OFF	0.5 bar MAX.	
RELAY RATIO	>1	
CRACK-OFF PRESSURE (WITHOUT PREDOM)	0.3 bar MAX. (+65°C TO -20°C) 0.35 bar MAX. (-20°C TO -40°C)	
INSTALLATION POSITION	VERTICAL ±60° ALLOWED	
PORT DESIGNATION	1	SUPPLY PORT
	1-2	RESERVOIR PORT
	2 (3x)	DELIVERY PORT
	4	CONTROL PORT
TIGHTENING TORQUE FOR MOUNTING BOLTS	45±2 Nm	



CONDITION	FROM	TO	NOMINAL DIAMETER
FILLING	PORT 1	PORT 1-2	≥10 mm
BRAKING	PORT 1-2	PORT 2	≥11.5 mm
EXHAUSTING	PORT 2	PORT 3	≥10.6 mm

5 RESERVOIR PORT
<C1> M22x1.5
JED-152

4 DELIVERY PORT
<C1> M16x1.5
JED-152

4 CONTROL PORT
<C1> M16x1.5
JED-152

SUPPLY PORT
M22x1.5 <C1>
JED-152

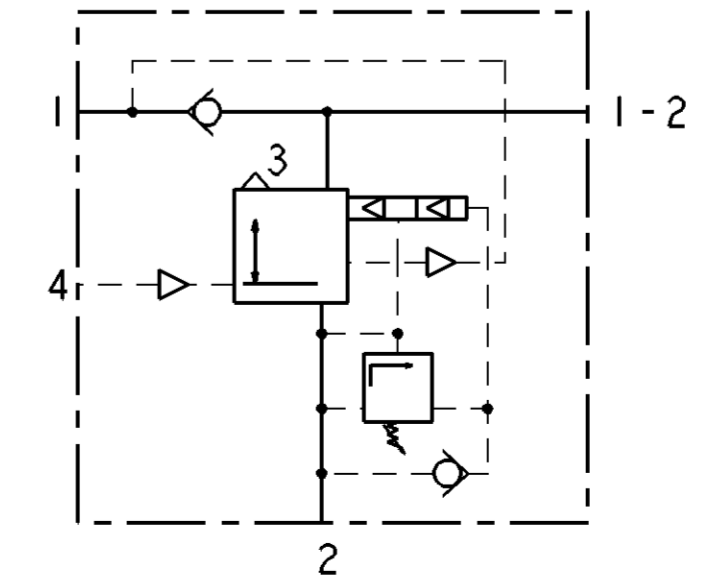
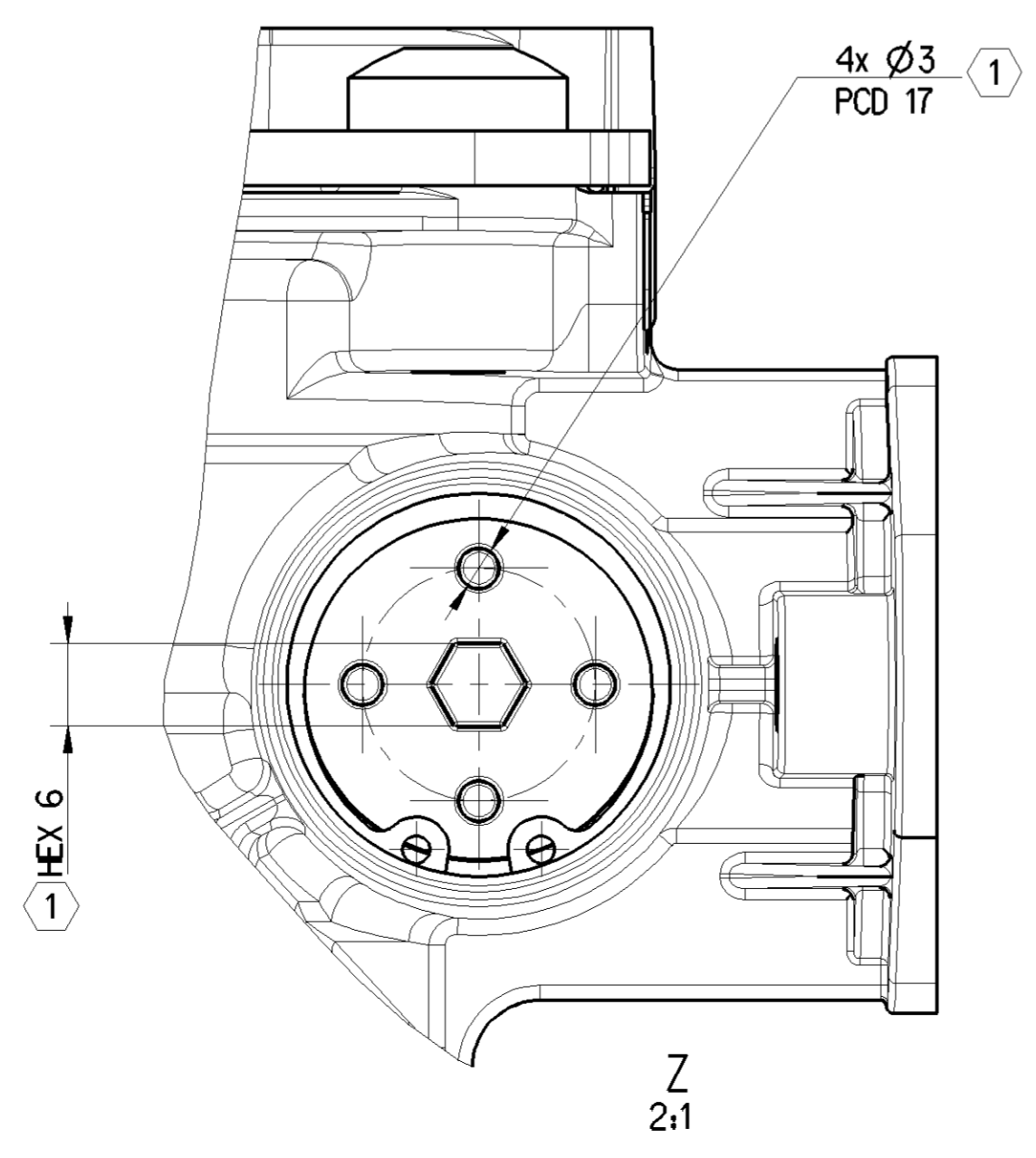
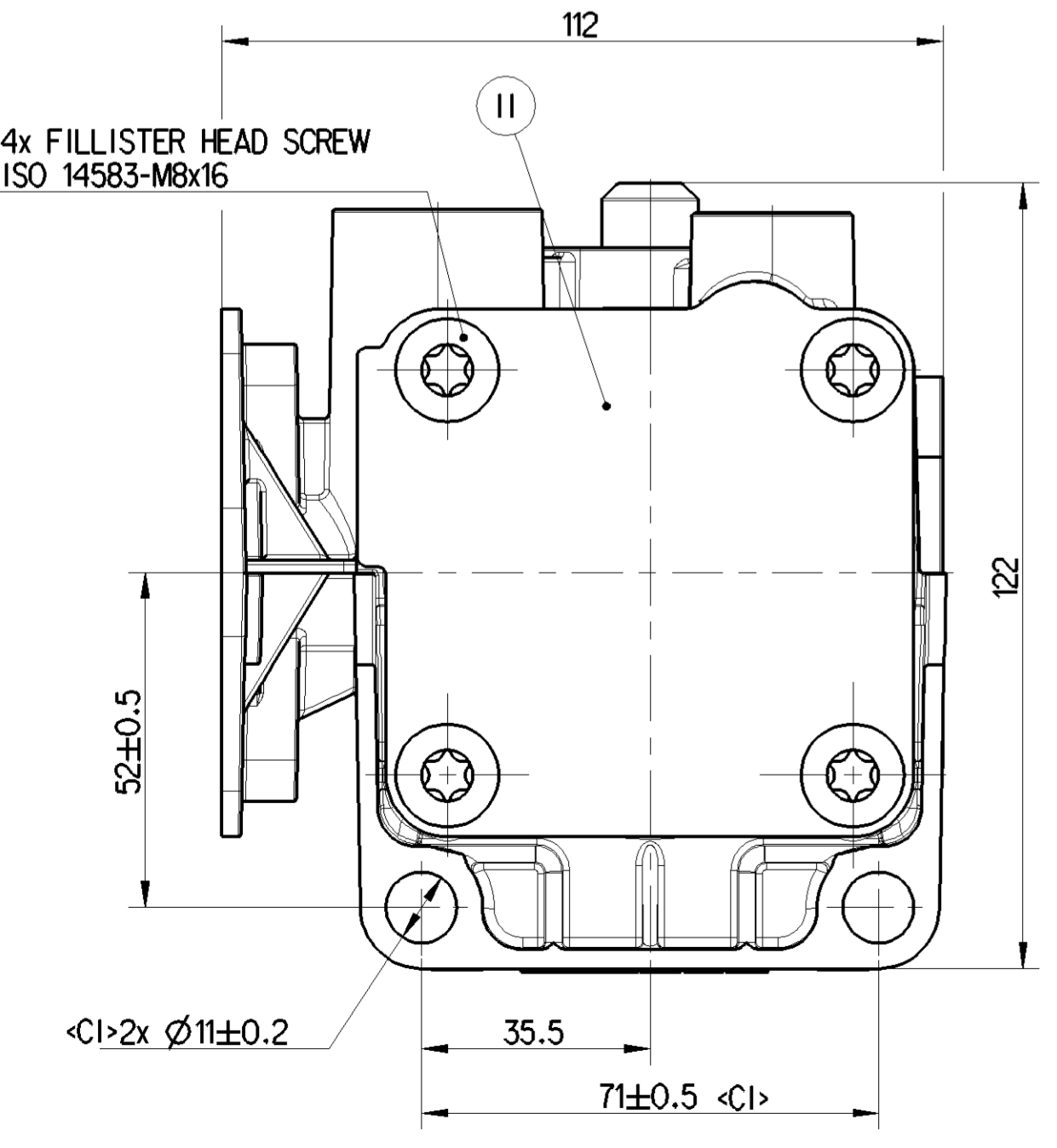
NOTE:

- 1 PREDOMINANCE ADJUSTMENT
- 2 ATTACHMENT OF TRAILER RELEASE VALVE
RECOMMENDED TORQUE: 18±2 Nm
- 3 ATTACHMENT OF LOAD SENSING VALVE
RECOMMENDED TORQUE: 22±2 Nm

RECOMMENDED TORQUE FOR FITTINGS:

- 4 THREAD-M16x1.5, TIGHTENING TORQUE: 30 TO 35 Nm
- 5 THREAD-M22x1.5, TIGHTENING TORQUE: 34 TO 40 Nm

PART CODE	MATERIAL	SURFACE PROTECTION
V	STEEL	ZINC NICKEL PLATED
IV	PLASTIC	NO TREATMENT
III	ALUMINIUM ALLOY	CHROMATED
II	STEEL	POWDER COATED
I	STEEL	ZINC PLATED



General Specifications: JED-334-1 - Size ISO 14405 LP
Further Technical Data: 971 002 049 0
Doc. Code: 035 Sheet: 1 To 56

Copyright WABCO®
Date: 2021-05-31
Drawn: M S
Checked: Szyszka
Expert: Pomurugraj C

RELAY EMERGENCY VALVE
3 PORT WITH LSV FLANGE
BASIC VARIANT

Material No.: 971 002 030 0
Date of first issue: 2019-08-19
Doc. Code: 005 EN 1/1

Mass: 1.277 kg
Scale: 1:1
Size: 2:1
CAD System: CREO

EDM-No.: 507805
Revision: 1x A
Tech. Resp.: 5250

1) Tolerance Class Applied Crossmarked

Tutti i diritti sono riservati. È vietata espressamente la ristampa o l'uso non autorizzato senza permesso scritto dalla WABCO. La WABCO non è responsabile per danni di qualsiasi natura derivanti dall'uso non autorizzato di questo documento. Tutti i diritti sono riservati. È vietata espressamente la ristampa o l'uso non autorizzato senza permesso scritto dalla WABCO. La WABCO non è responsabile per danni di qualsiasi natura derivanti dall'uso non autorizzato di questo documento.