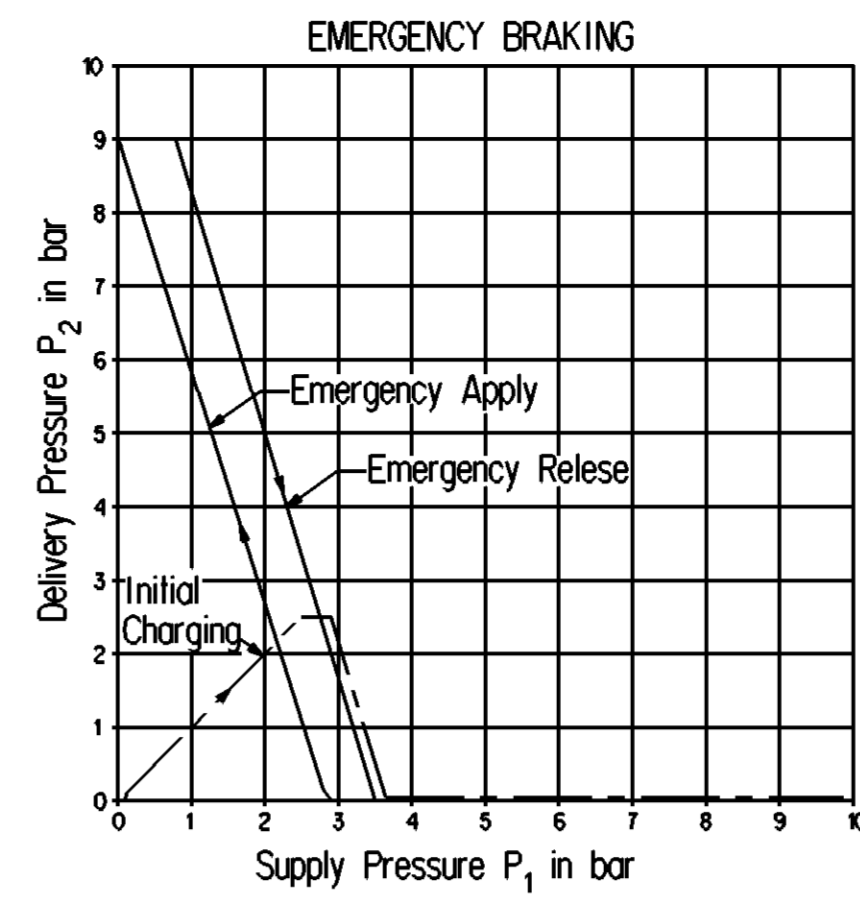
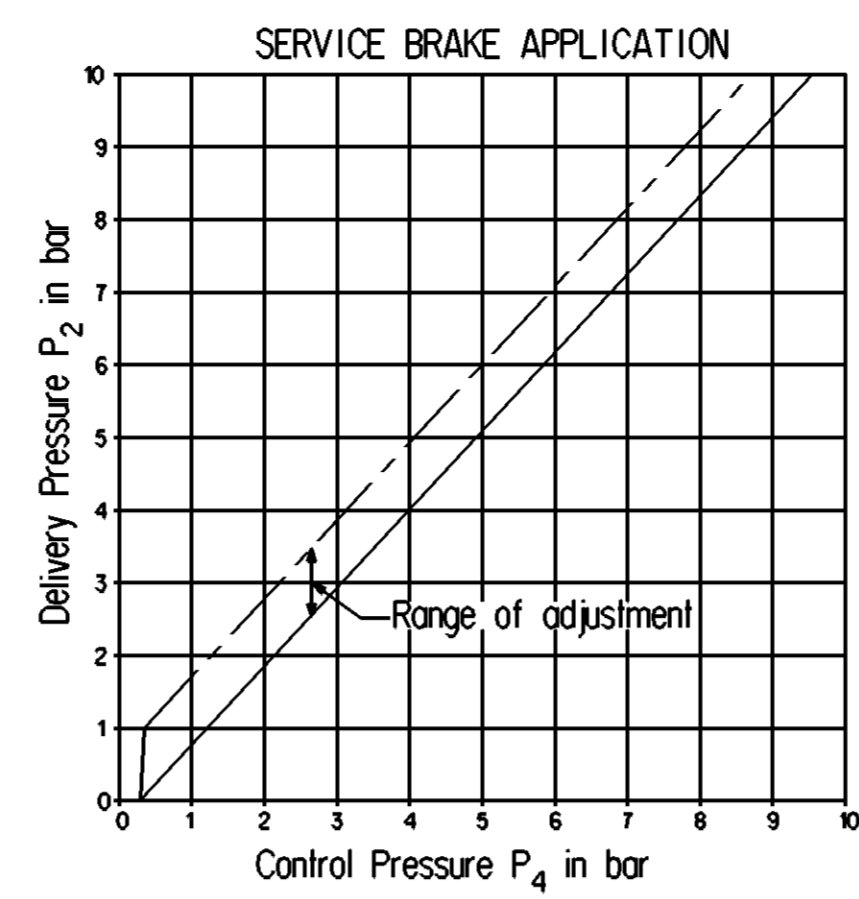
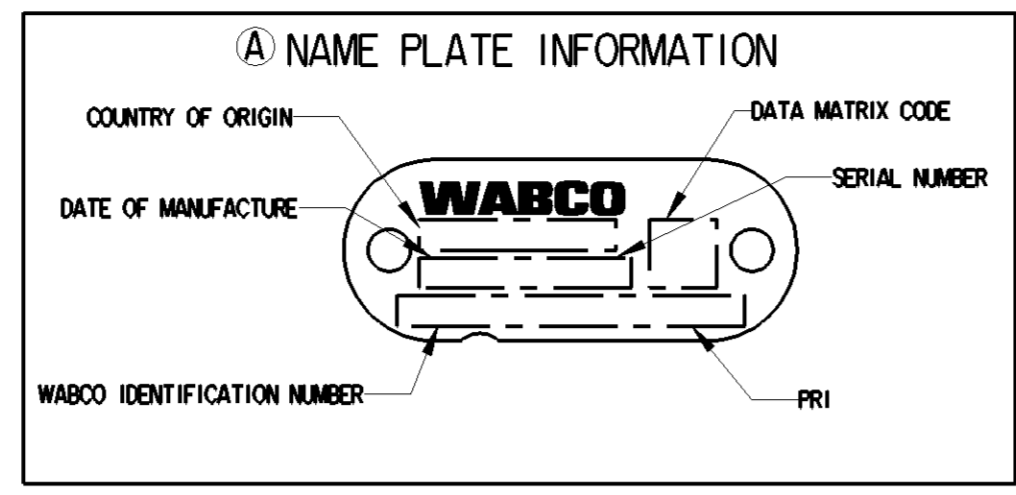
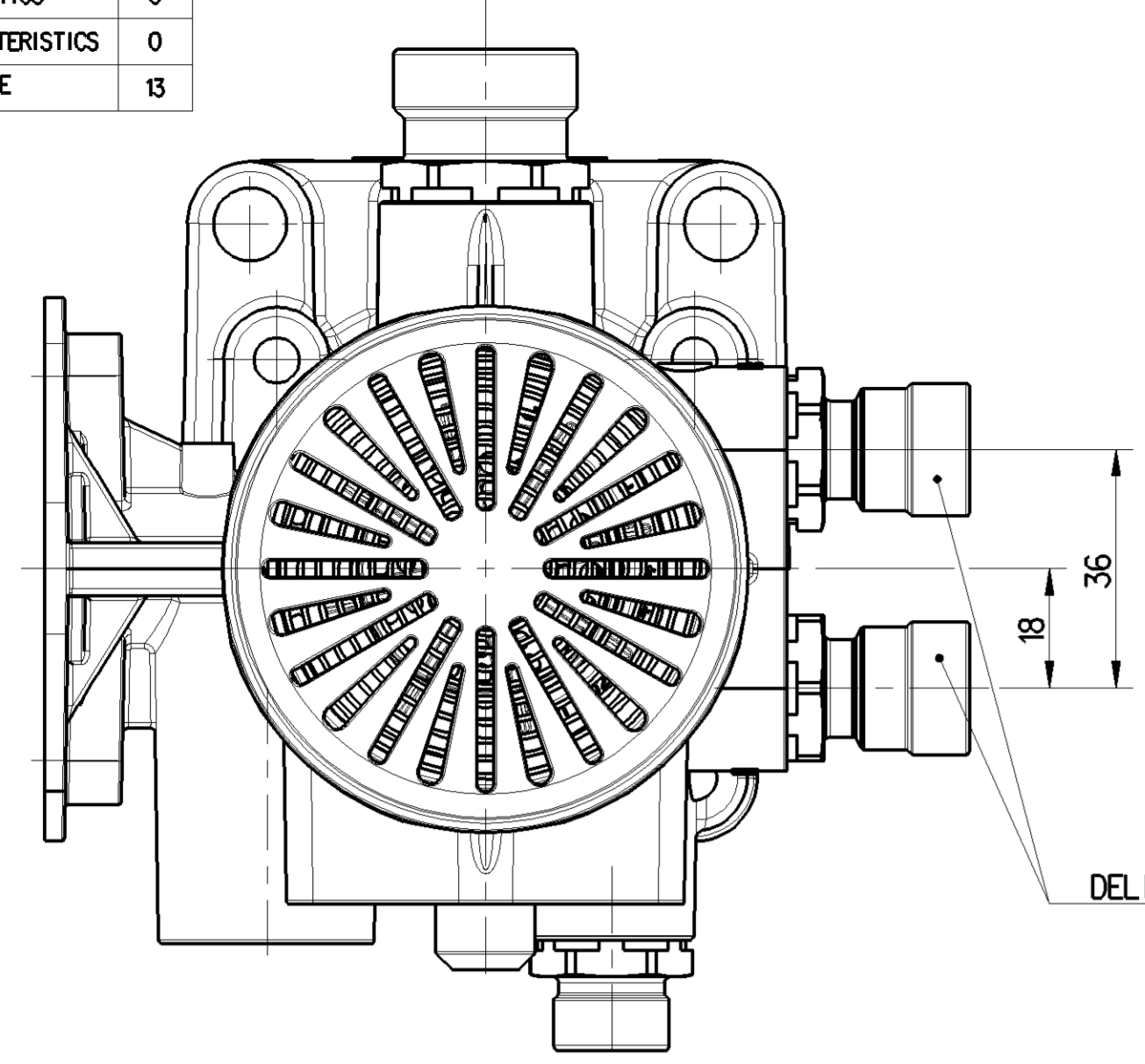
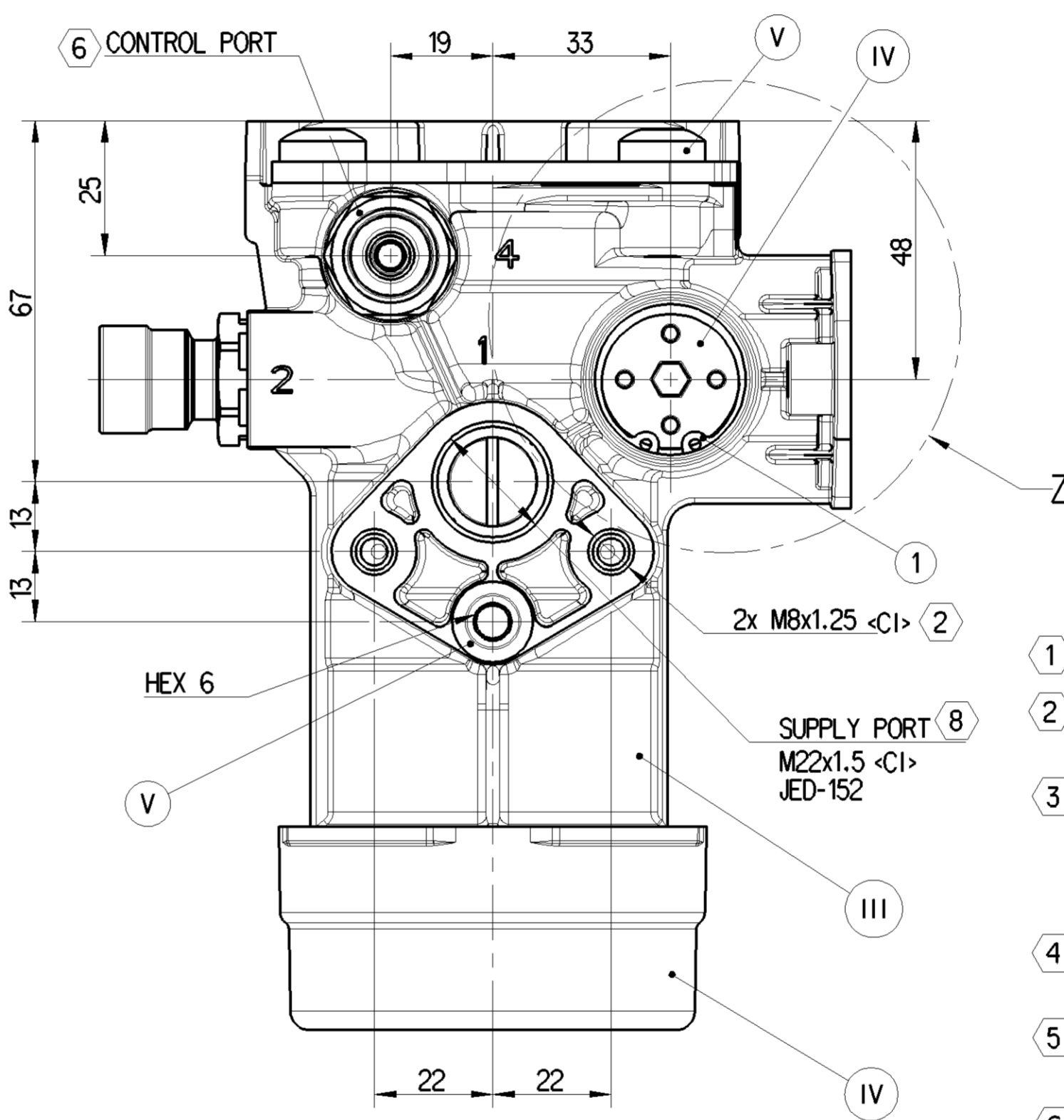
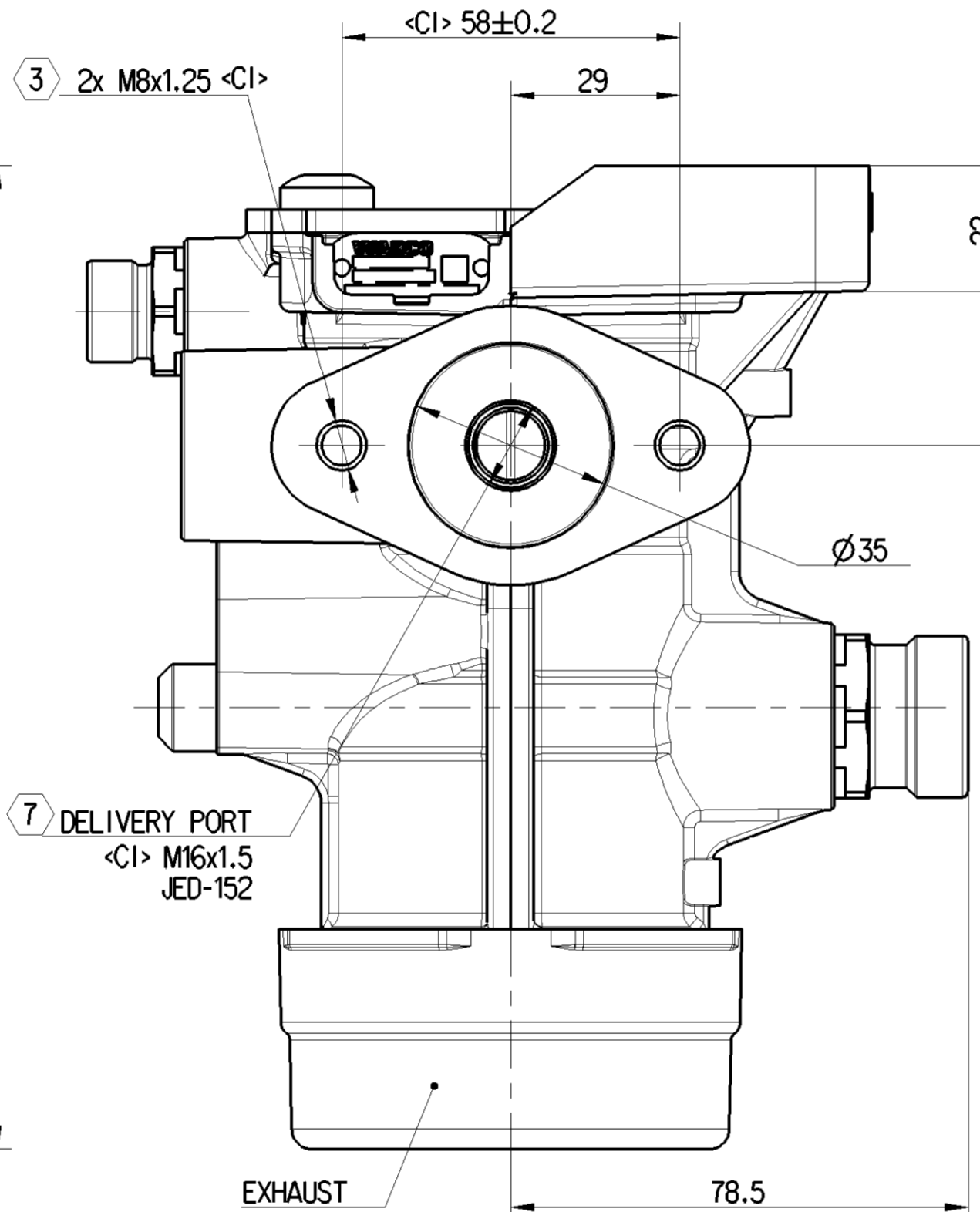
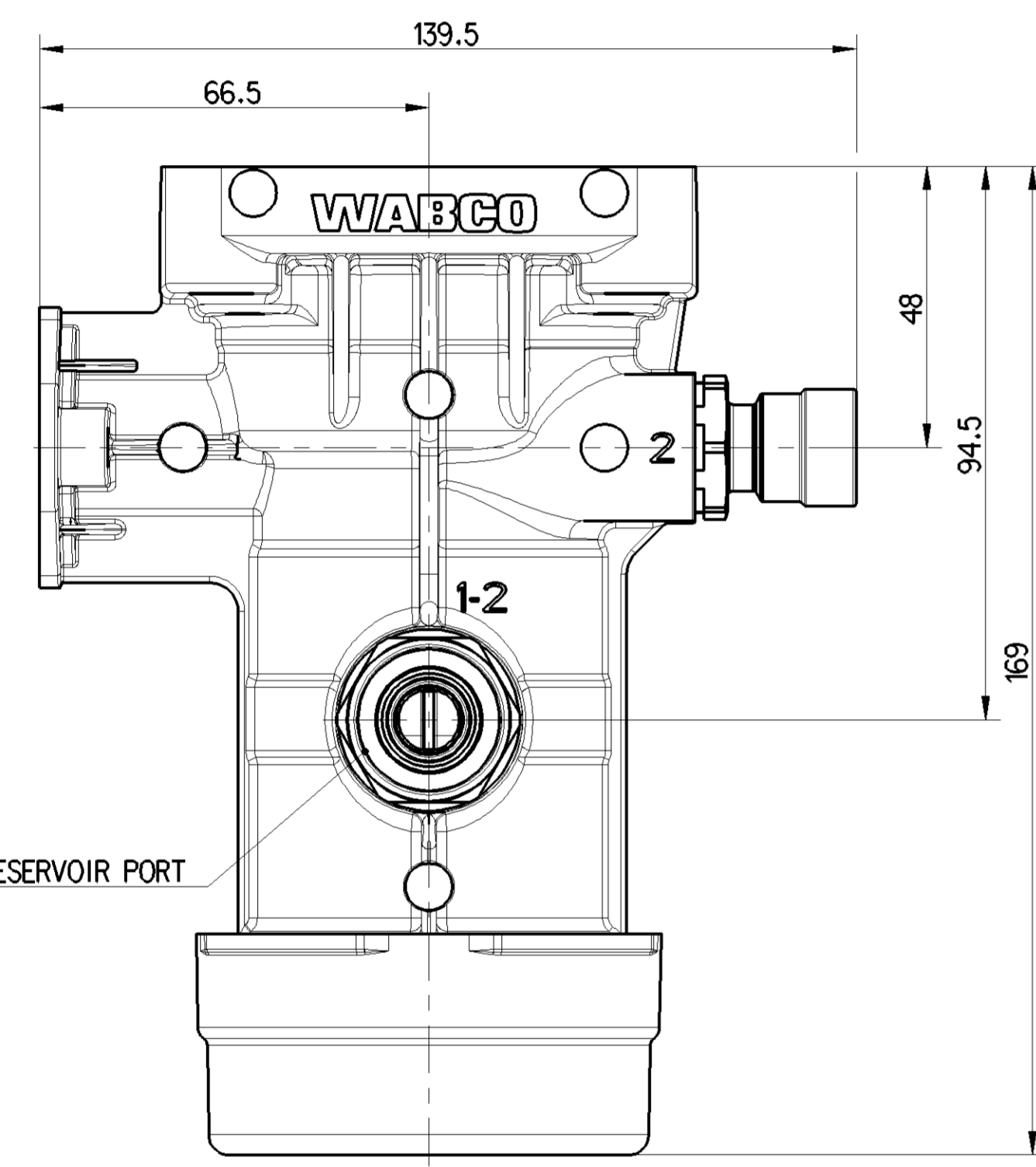


<I> SAFETY CHARACTERISTICS	0
<II> SIGNIFICANT CHARACTERISTICS	0
<CI> CUSTOMER INTERFACE	13



WORKING MEDIUM	AIR	
THERMAL RANGE OF APPLICATION	-40° TO +65°C	
SHORT TERM RESISTANCE TO HEAT	MAX. 1h AT 110°C	
NOMINAL WORKING PRESSURE	9 bar	
MAXIMUM WORKING PRESSURE	10 bar	
PREDOMINANCE ADJUSTMENT RANGE PRESSURE	0 TO 0.7 bar	
FILLING CRACK-OFF	0.5 bar MAX.	
RELAY RATIO	>1	
CRACK-OFF PRESSURE (WITHOUT PREDOM)	0.3 bar MAX. (+65°C TO -20°C) 0.35 bar MAX. (-20°C TO -40°C)	
INSTALLATION POSITION	VERTICAL ±60° ALLOWED	
PORT DESIGNATION	1	SUPPLY PORT
	1-2	RESERVOIR PORT
	2 (3x)	DELIVERY PORT
	4	CONTROL PORT
TIGHTENING TORQUE FOR MOUNTING BOLTS	45±2 Nm	

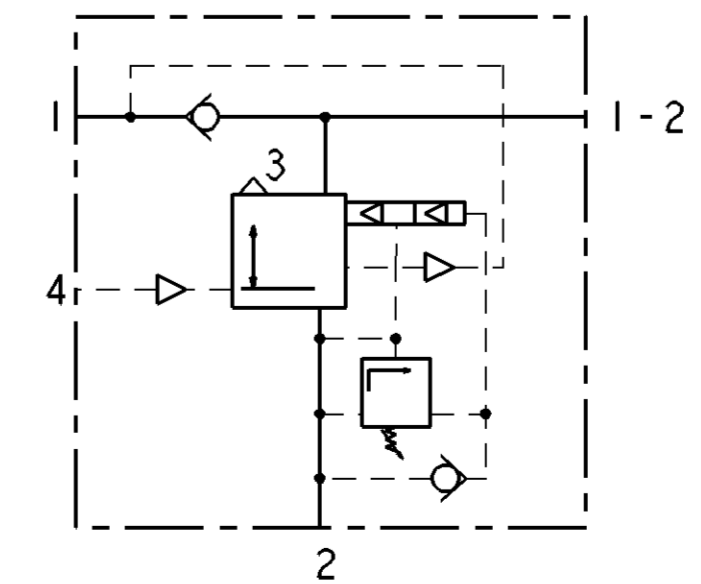
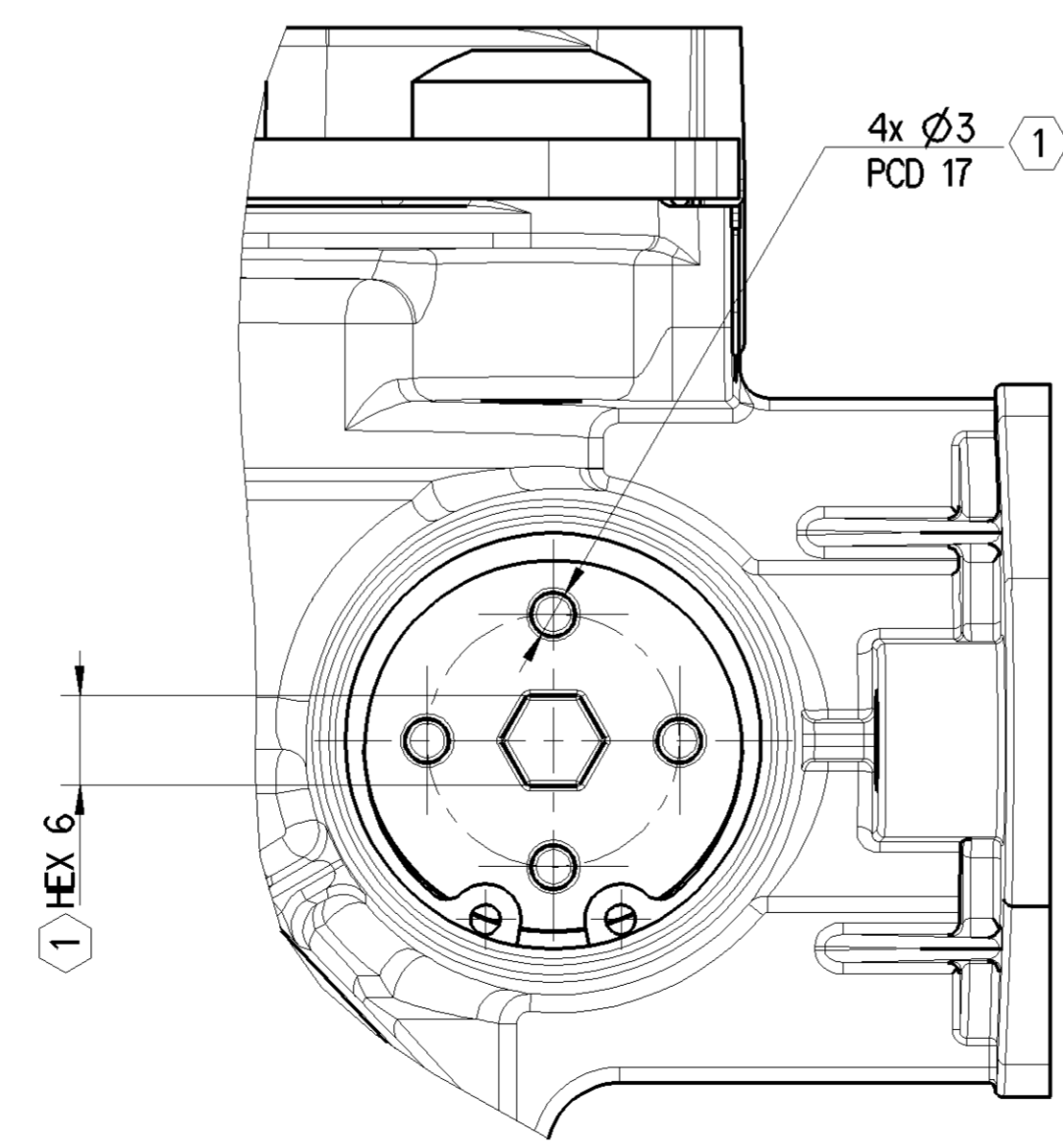
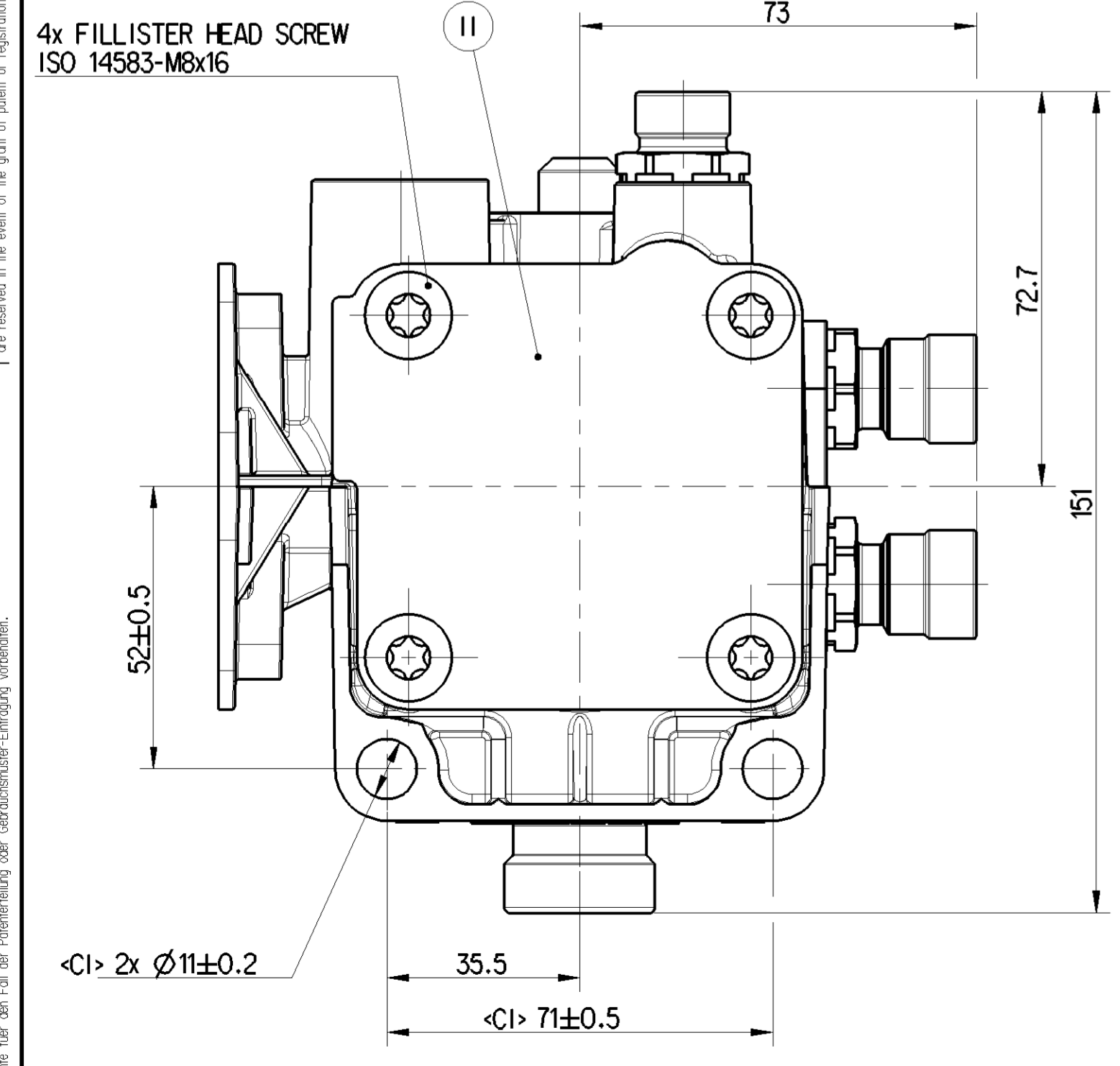


CONDITION	FROM	TO	NOMINAL DIAMETER
FILLING	PORT 1	PORT 1-2	≥10 mm
BRAKING	PORT 1-2	PORT 2	≥11.5 mm
EXHAUSTING	PORT 2	PORT 3	≥10.6 mm

NOTE:

- 1 PREDOMINANCE ADJUSTMENT
 - 2 ATTACHMENT OF TRAILER RELEASE VALVE
RECOMMENDED TORQUE: 18±2 Nm
 - 3 ATTACHMENT OF LOAD SENSING VALVE
RECOMMENDED TORQUE: 22±2 Nm
- FITTING DETAILS:
- 4 TUBE SIZE-10x1 <CI>, PUSH IN LENGTH -24mm <CI>
HEX 22, THREAD-M16x1.5, TIGHTENING TORQUE 30 TO 35 Nm
 - 5 TUBE SIZE-15x1.5 <CI>, PUSH IN LENGTH -27mm <CI>
HEX 28, THREAD-M22x1.5, TIGHTENING TORQUE 34 TO 40 Nm
 - 6 TUBE SIZE-8x1 <CI>, PUSH IN LENGTH -20.5mm <CI>
HEX 22, THREAD-M16x1.5, TIGHTENING TORQUE 30 TO 35 Nm
- RECOMMENDED TORQUE FOR FITTINGS:
- 7 THREAD-M16x1.5, TIGHTENING TORQUE: 30 TO 35 Nm
 - 8 THREAD-M22x1.5, TIGHTENING TORQUE: 34 TO 40 Nm

PART CODE	MATERIAL	SURFACE PROTECTION
V	STEEL	ZINC NICKEL PLATED
IV	PLASTIC	NO TREATMENT
III	ALUMINIUM ALLOY	CHROMATED
II	STEEL	POWDER COATED
I	STEEL	ZINC PLATED



General Specifications: JED-334-1 - Size ISO 14405 LP		Copyright WABCO®		
Further Technical Data: 971 002 049 0		Date: 2021-05-31	Signature: M S	
Doc. Code: 035	Sheet: 1 To 56	Checked: 2021-07-29	Expert: Szyzka	
General Tolerances JED-261		Pomuragoraj C		
Range of Nominal Dimensions (± mm)		Mass: 1.443 kg	Scale: 1:1	
Class	1) ≤ 50	2) 50 > 180	3) 180 ≤ 400	4) 400 > 6.5
Fine	0.5	1.0	1.5	2.0
Medium	X 1.0	2.0	3.0	4.0
Coarse	2.0	3.5	5.0	6.5
Tapped Holes acc. -		Size: A 1	CAD System: CREO	
1) Tolerance Class Applied Crossmarked		Material No.: 971 002 031 0		
		Doc. Code: 507805	Revision: 1x A	
		Date of first issue: 2019-08-19		
		Doc. Code: Language: Sheet: 005 EN 1/1		
		Tech. Resp.: S250		
		Replacement for: -		

Non è permesso copiare o riprodurre questo documento, né utilizzare il contenuto o i marchi commerciali senza permesso scritto dalla WABCO. È vietata espressamente la ristampa o l'uso non autorizzato. Toute réimpression ou reproduction de ce document, toute exploitation ou communication de son contenu sans autorisation écrite de la WABCO est formellement interdite. Toute utilisation non autorisée des données contenues dans ce document est formellement interdite. All rights reserved. No part of this document may be reproduced, stored in a retrieval system, or transmitted in any form or by any means, electronic, mechanical, photocopying, recording, or by any information storage and retrieval system, without the prior written permission of WABCO. All trademarks are the property of their respective owners.