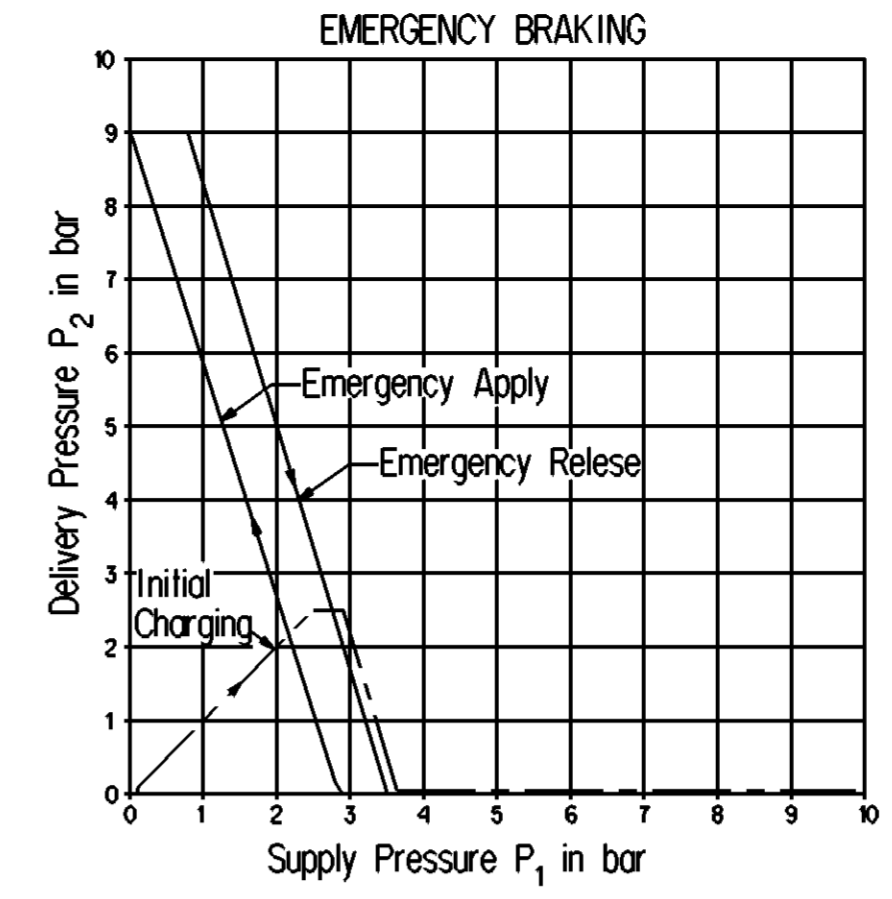
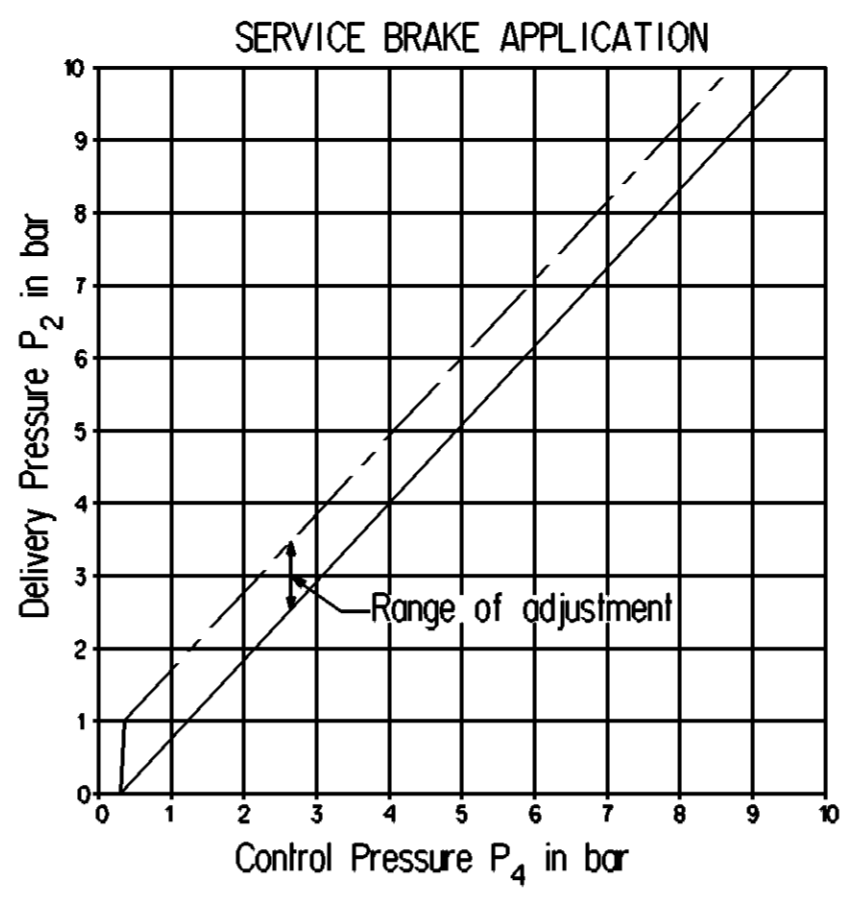
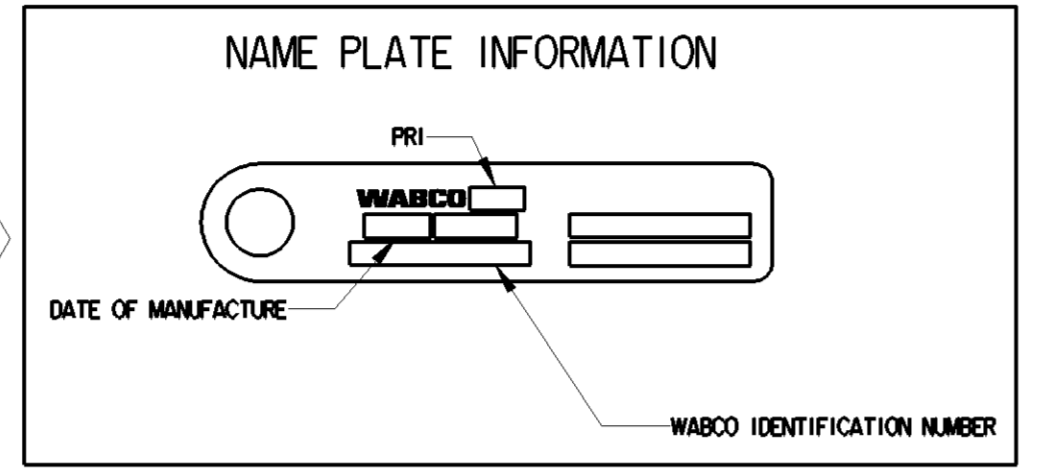
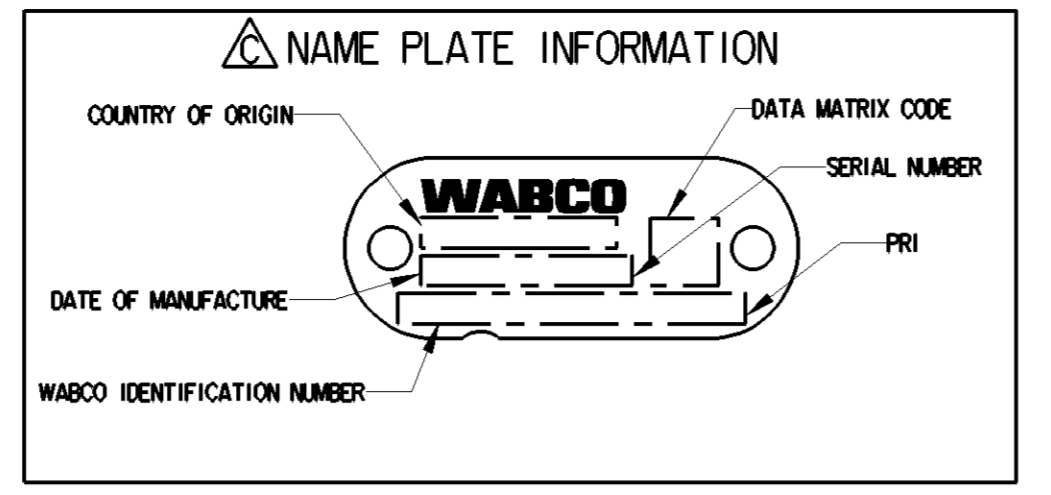
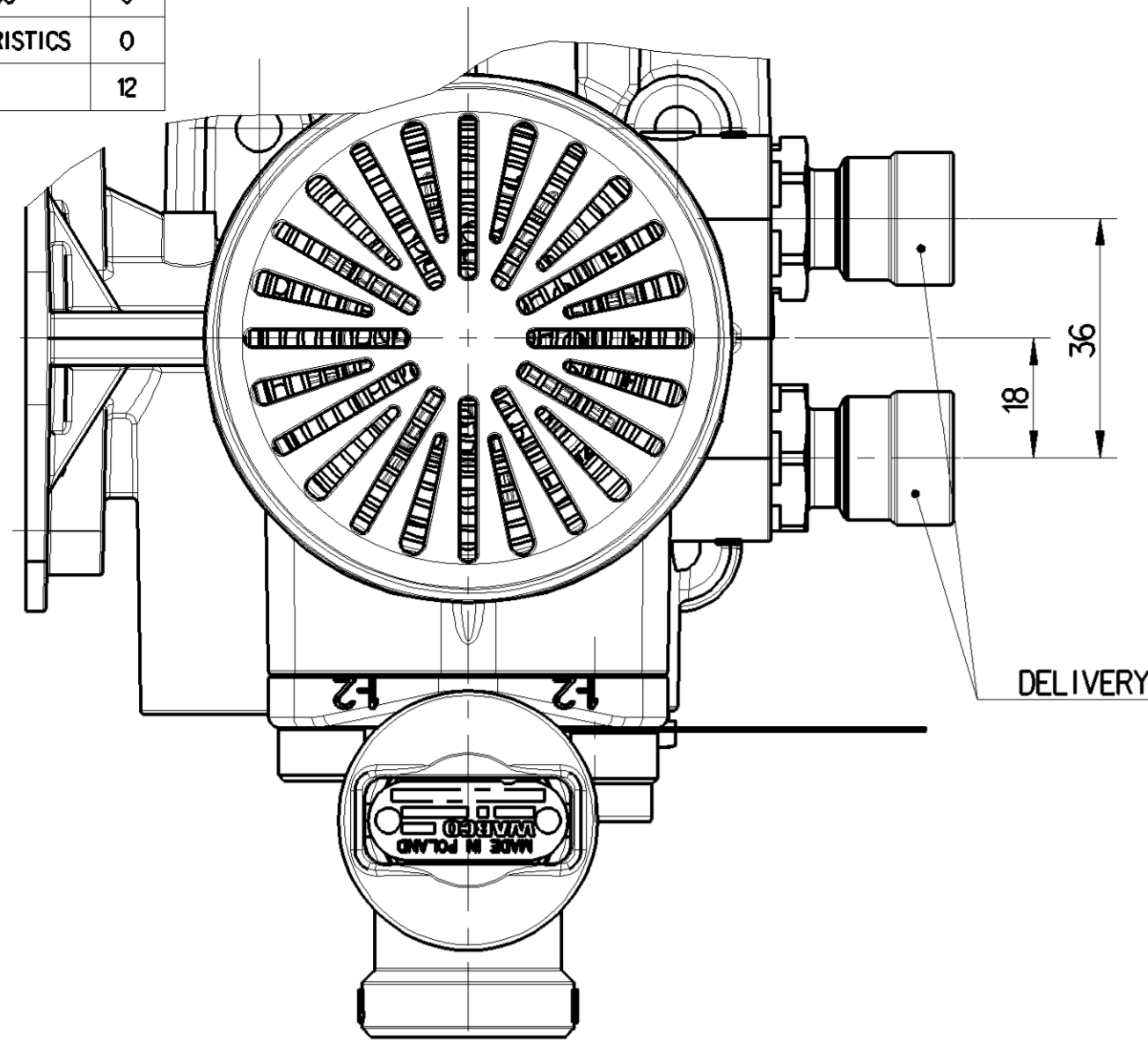
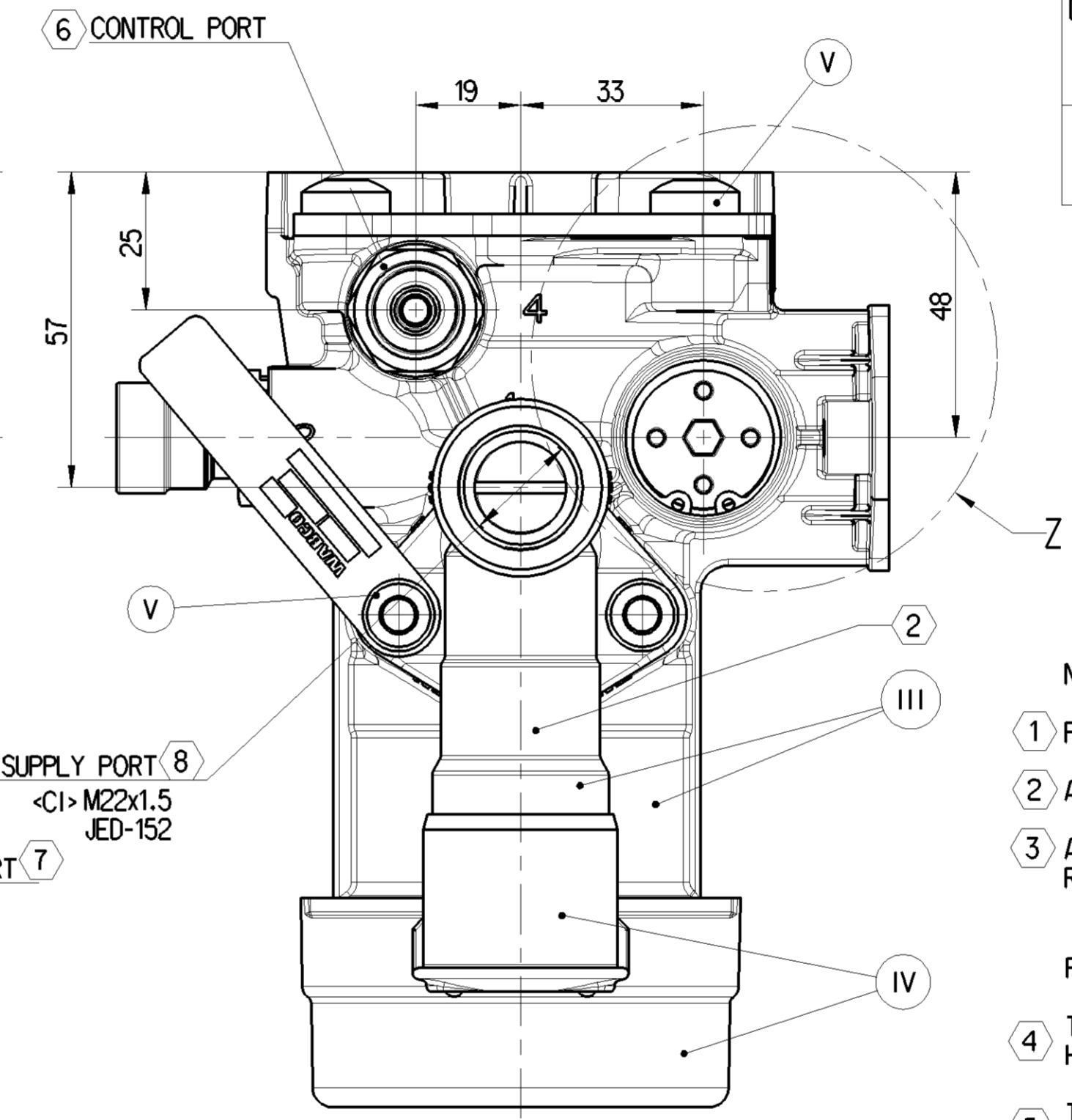
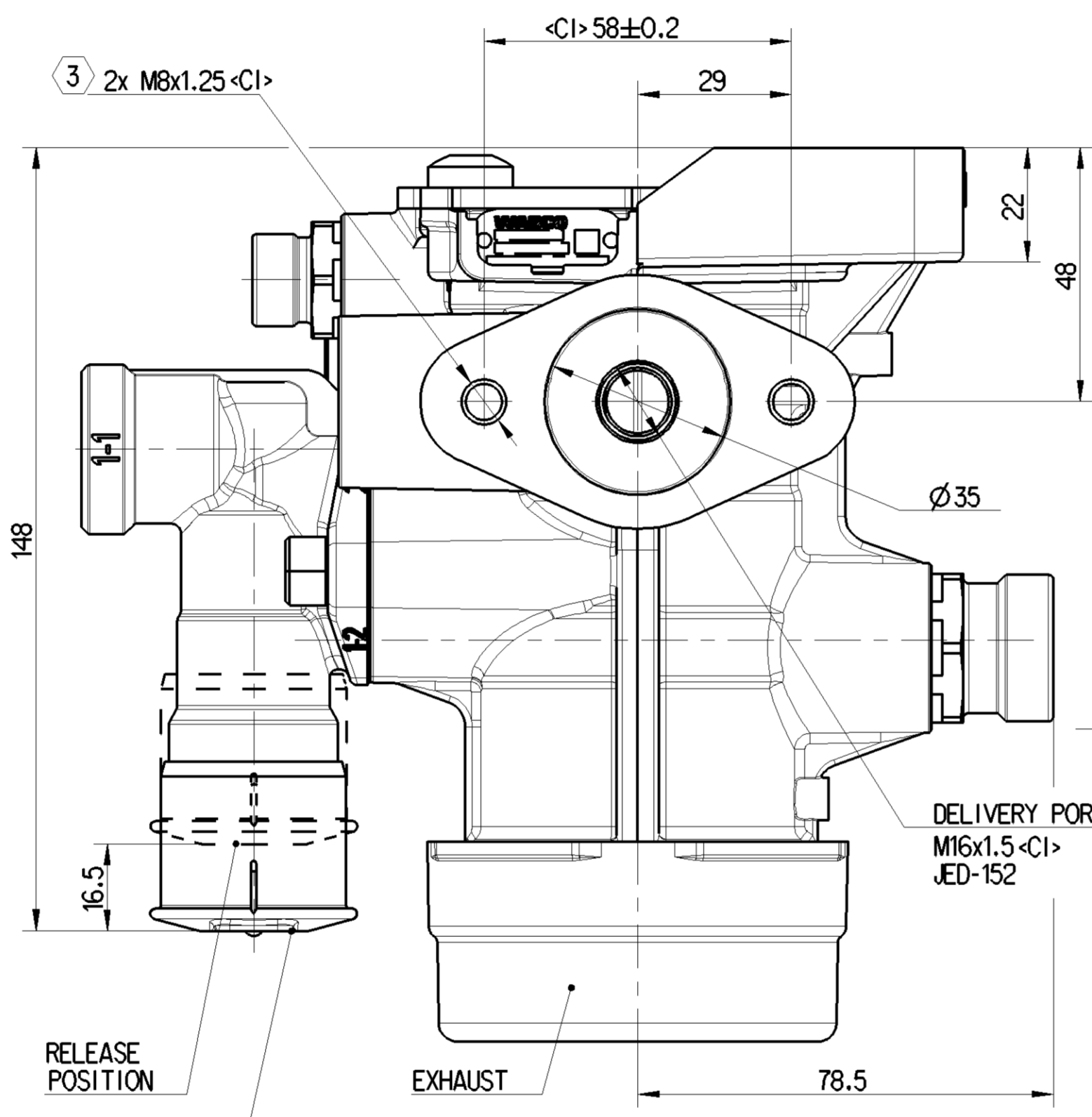
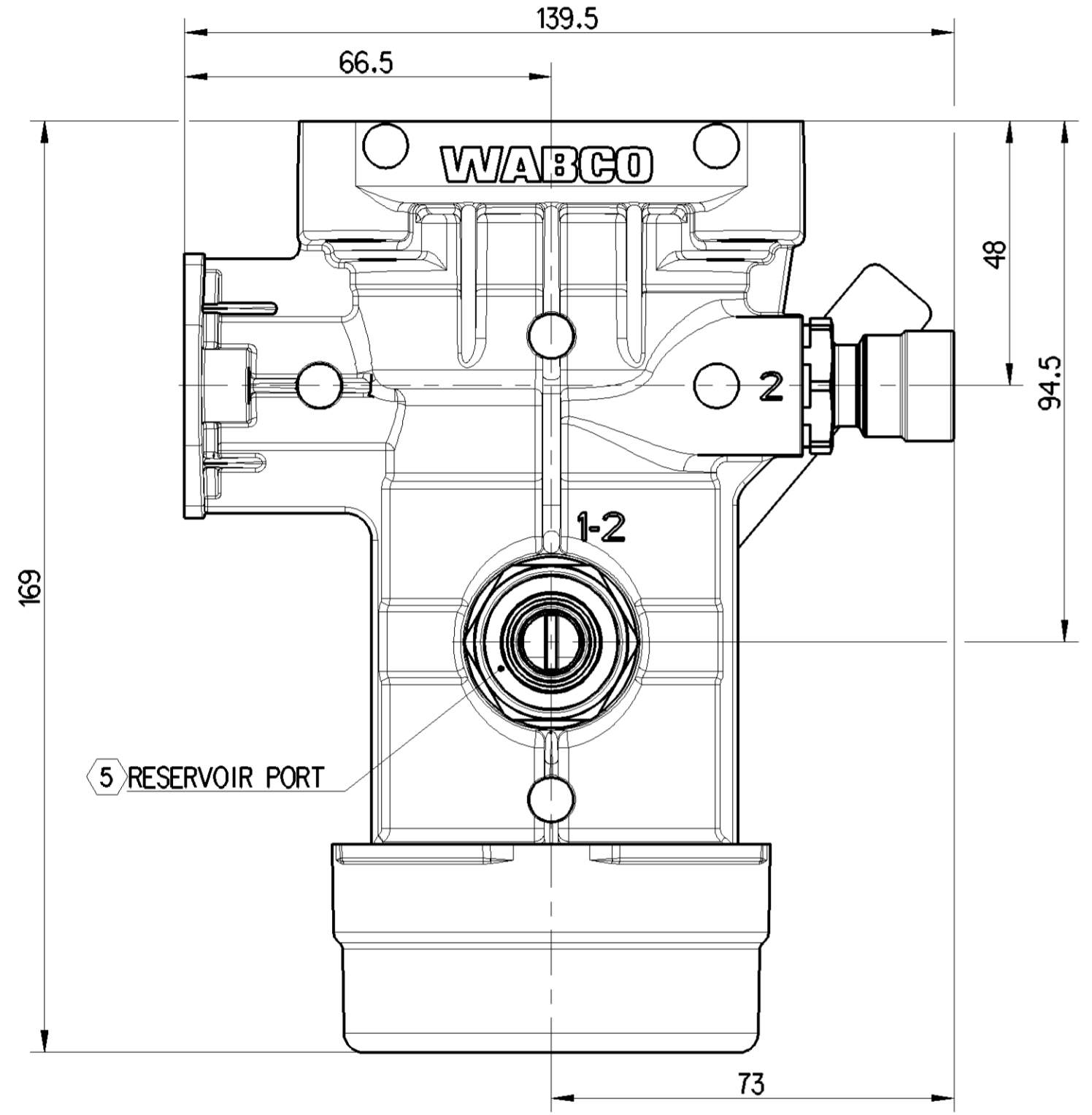


1 2 3 4 5 6 7 8 9 10 11 12 13 14 15 16

<1> SAFETY CHARACTERISTICS	0
<2> SIGNIFICANT CHARACTERISTICS	0
<CI> CUSTOMER INTERFACE	12



WORKING MEDIUM	AIR	
THERMAL RANGE OF APPLICATION	-40° TO +65°C	
SHORT TERM RESISTANCE TO HEAT	MAX. 1h AT 110°C	
NOMINAL WORKING PRESSURE	9 bar	
MAXIMUM WORKING PRESSURE	10 bar	
PREDOMINANCE ADJUSTMENT RANGE PRESSURE	0 TO 0.7 bar	
FILLING CRACK-OFF	0.5 bar MAX.	
RELAY RATIO	>1	
CRACK-OFF PRESSURE (WITHOUT PREDOM)	0.3 bar MAX. (+65°C TO -20°C) 0.35 bar MAX. (-20°C TO -40°C)	
INSTALLATION POSITION	VERTICAL ±60° ALLOWED	
PORT DESIGNATION	1	SUPPLY PORT
	1-2	RESERVOIR PORT
	2 (3x)	DELIVERY PORT
	4	CONTROL PORT
TIGHTENING TORQUE FOR MOUNTING BOLTS	45±2 Nm	



CONDITION	FROM	TO	NOMINAL DIAMETER
FILLING	PORT 1	PORT 1-2	≥10 mm
BRAKING	PORT 1-2	PORT 2	≥11.5 mm
EXHAUSTING	PORT 2	PORT 3	≥10.6 mm

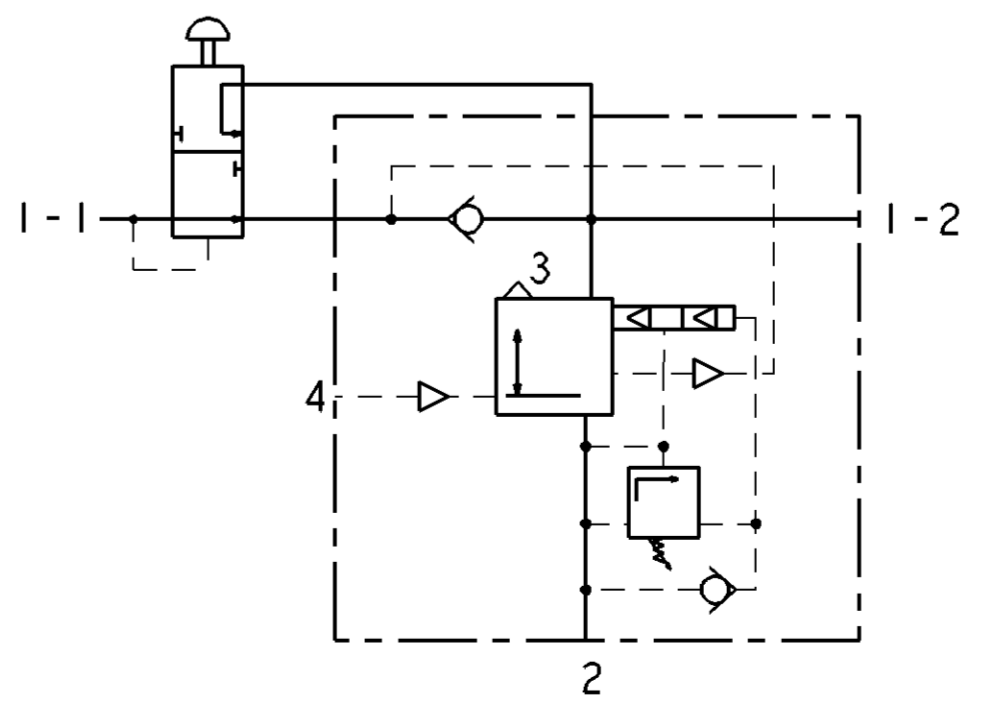
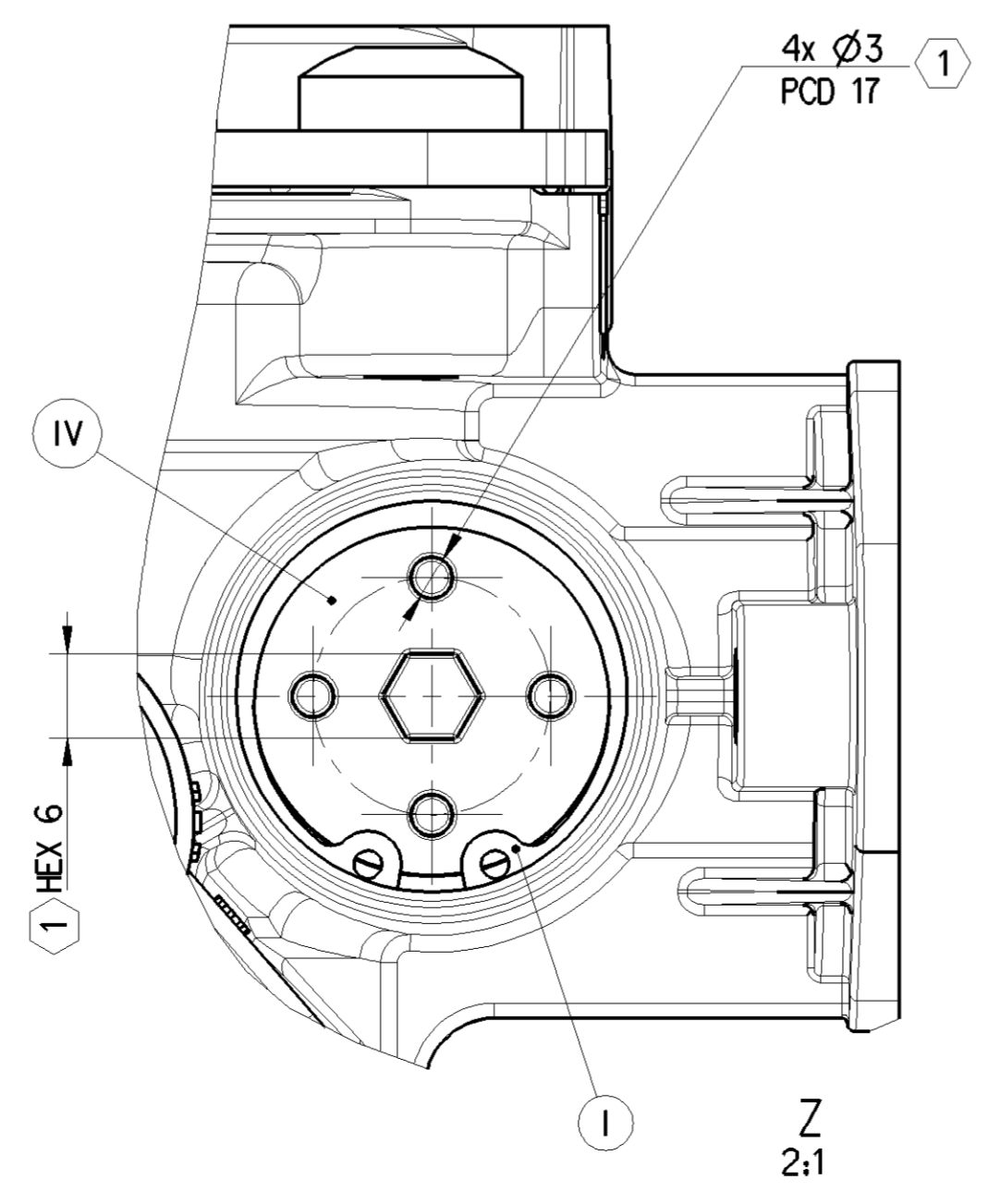
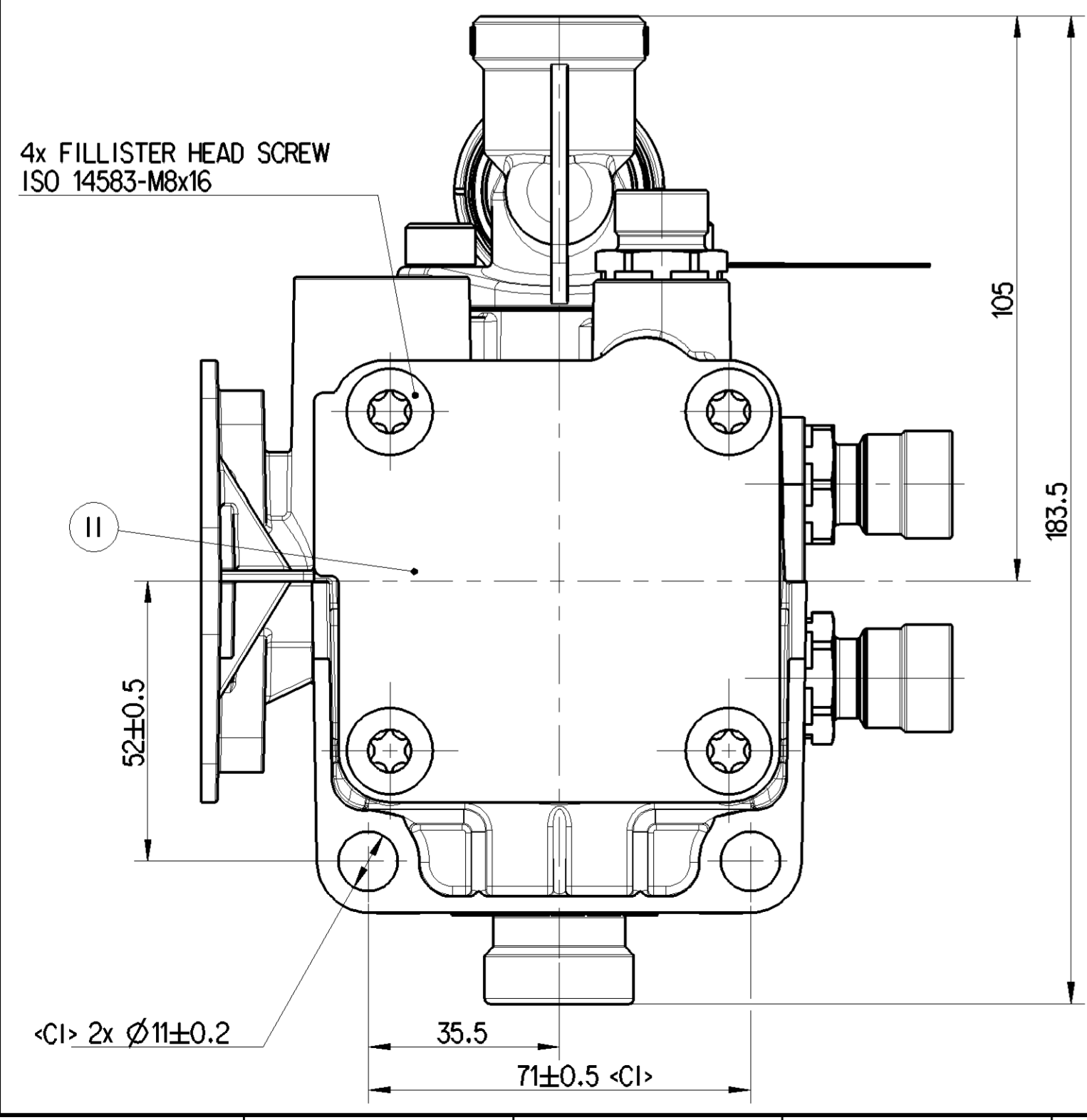
NOTE:

- ① PREDOMINANCE ADJUSTMENT
 - ② ATTACHMENT OF TRAILER RELEASE VALVE
 - ③ ATTACHMENT OF LOAD SENSING VALVE
- RECOMMENDED TORQUE: 22±2 Nm

PART CODE	MATERIAL	SURFACE PROTECTION
V	STEEL	ZINC NICKEL PLATED
IV	PLASTIC	NO TREATMENT
III	ALUMINIUM ALLOY	CHROMATED
II	STEEL	POWDER COATED
I	STEEL	ZINC PLATED

FITTING DETAILS:

- ④ TUBE SIZE-10x1 <CI>, PUSH IN LENGTH -24mm <CI>
HEX 22, THREAD-M16x1.5, TIGHTENING TORQUE 30 TO 35 Nm
 - ⑤ TUBE SIZE-15x1.5 <CI>, PUSH IN LENGTH -27mm <CI>
HEX 28, THREAD-M22x1.5, TIGHTENING TORQUE 34 TO 40 Nm
 - ⑥ TUBE SIZE-8x1 <CI>, PUSH IN LENGTH -20.5mm <CI>
HEX 22, THREAD-M16x1.5, TIGHTENING TORQUE 30 TO 35 Nm
- RECOMMENDED TORQUE FOR FITTINGS:
- ⑦ THREAD-M16x1.5, TIGHTENING TORQUE: 30 TO 35 Nm
 - ⑧ THREAD-M22x1.5, TIGHTENING TORQUE: 34 TO 40 Nm



General Specifications JED-334-1 - Size ISO 14406 LP				Copyright WABCO	
Further Technical Data: 971 002 049 0				Date	Signature
Doc. Code: 035				Sheet: 1	To: 56
General Tolerances JED-261				Checked:	Pomnurogaj C
Range of Nominal Dimensions (± mm)				Checked:	Szyska
				Expert:	Pomnurogaj C
				Mass	Scale
				1.559	1:1
				Size	CAD System
				A 1	CREO

WABCO				
RELAY EMERGENCY VALVE 3 PORT WITH LSV FLANGE ADD ON TRV & FITTING VARIANT				
Material No. 971 002 033 0				Date of first issue: 2019-08-20
Doc. Code Language Sheet				005 EN 1/1
EOL No. Revision Techn. Resp.				509838 1x C 5251

Tutti i diritti sono riservati. È vietata espressamente la ristampa o l'uso non autorizzato senza permesso scritto dalla WABCO. Tutti i diritti sono riservati. Toute réimpression ou utilisation non autorisée sans la permission écrite de la WABCO est formellement interdite. Toute réimpression ou utilisation non autorisée sans la permission écrite de la WABCO est formellement interdite. All rights reserved. No part of this document may be reproduced, stored in a retrieval system, or transmitted, in any form or by any means, without the prior written permission of WABCO. No part of this document may be reproduced, stored in a retrieval system, or transmitted, in any form or by any means, without the prior written permission of WABCO. No part of this document may be reproduced, stored in a retrieval system, or transmitted, in any form or by any means, without the prior written permission of WABCO.

1 2 3 4 5 6 7 8 9 10 11 12 13 14 15 16