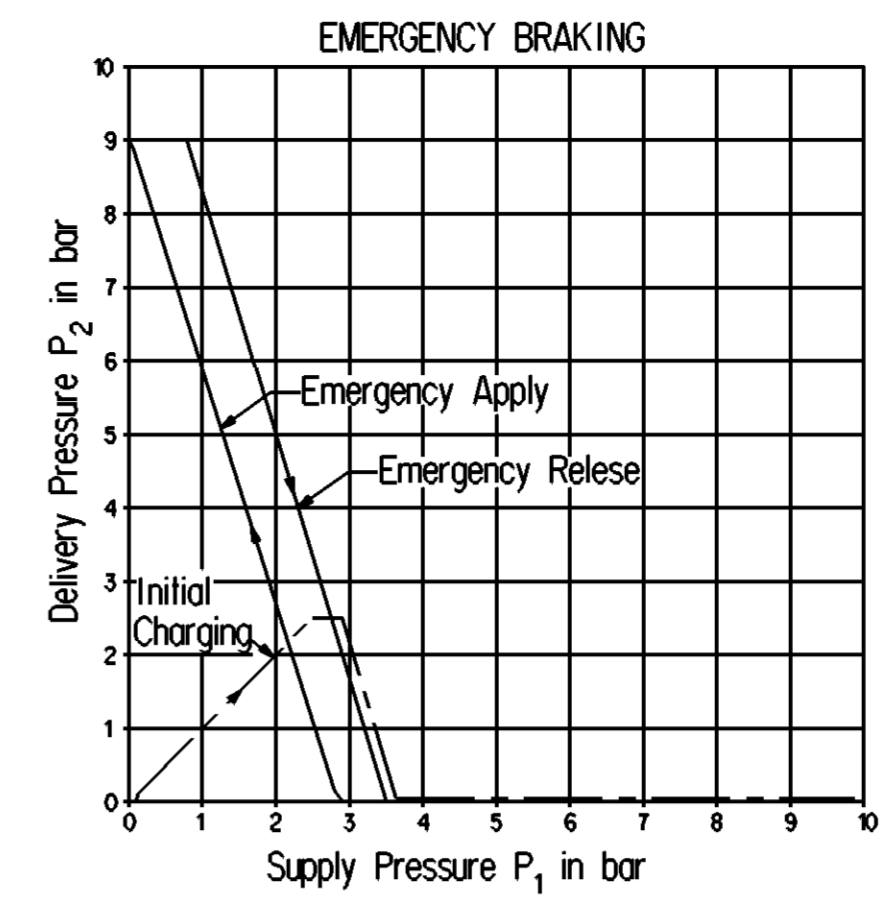
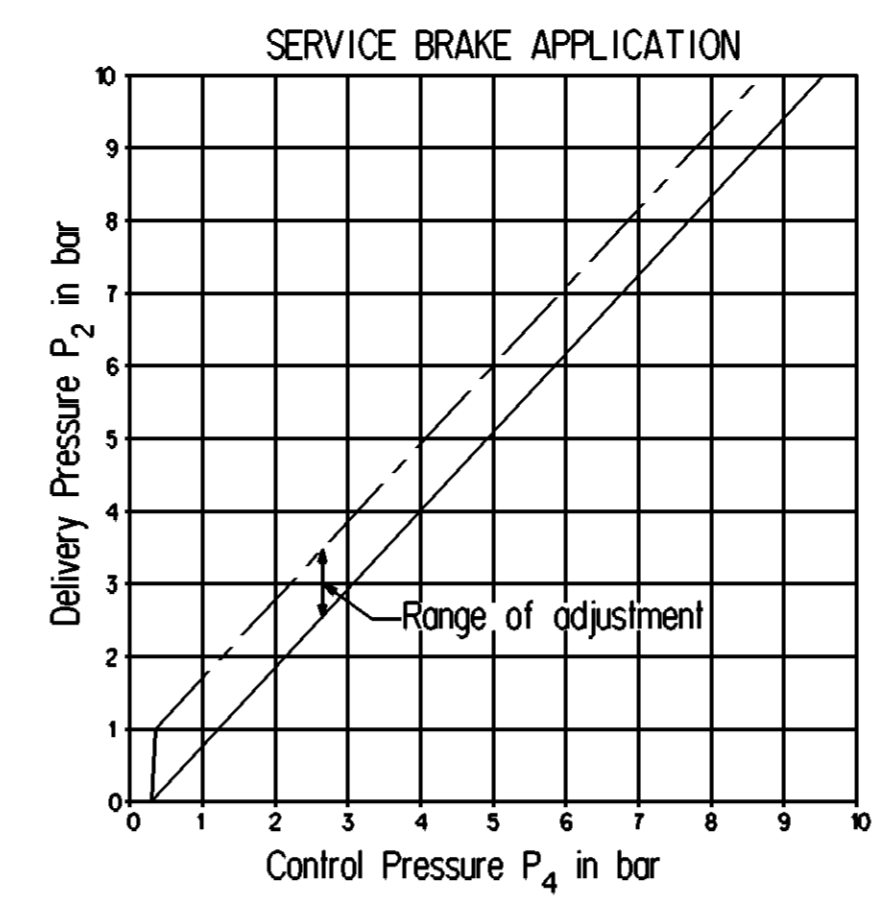
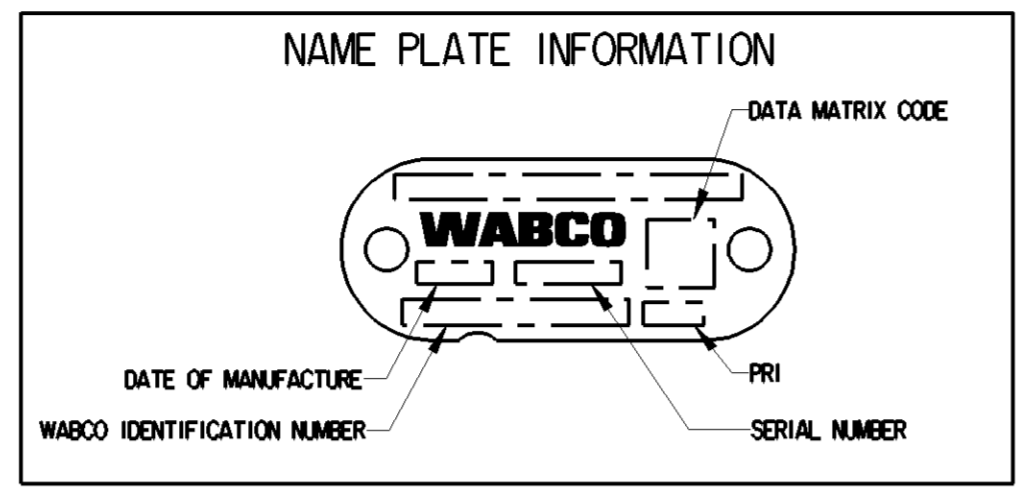
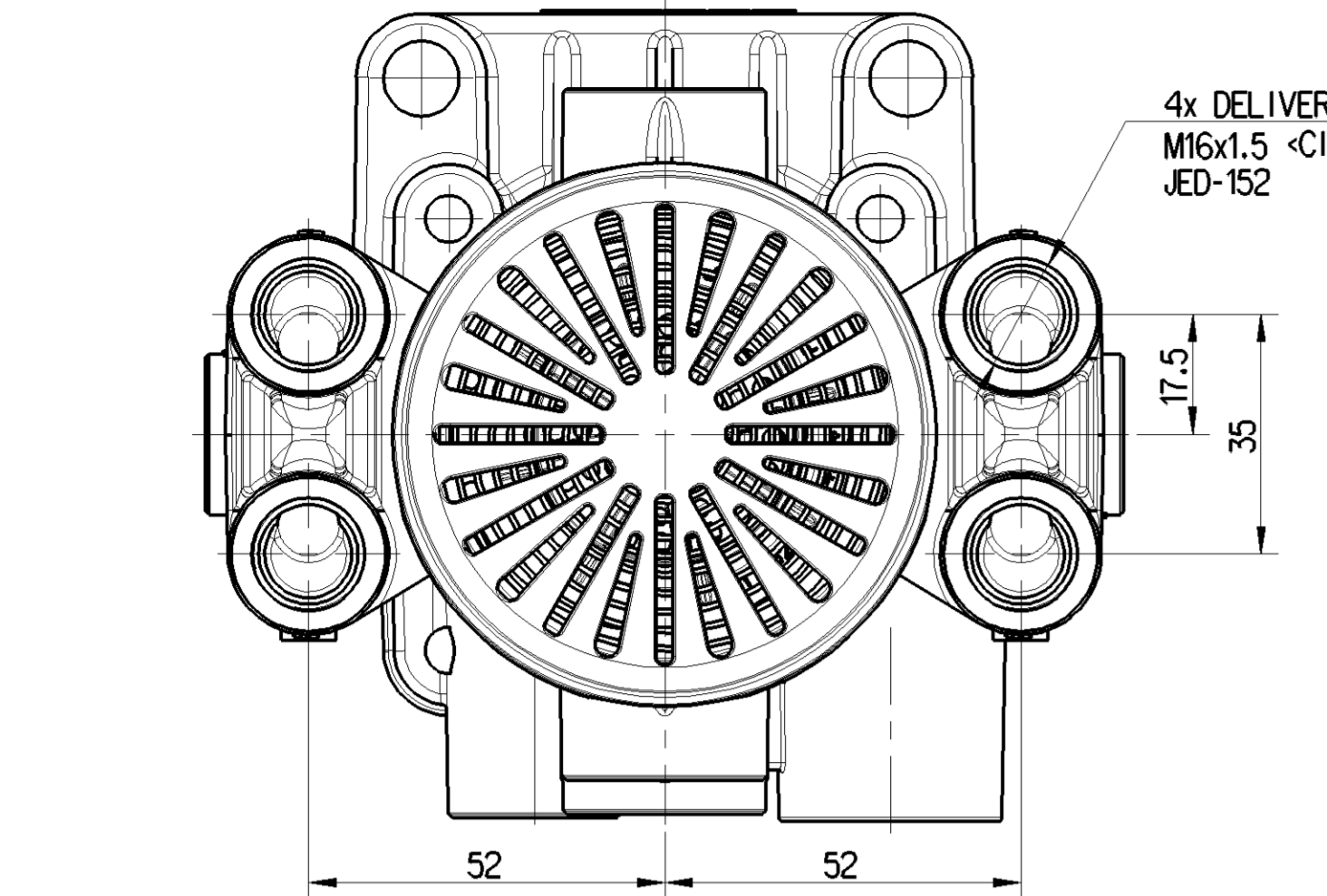
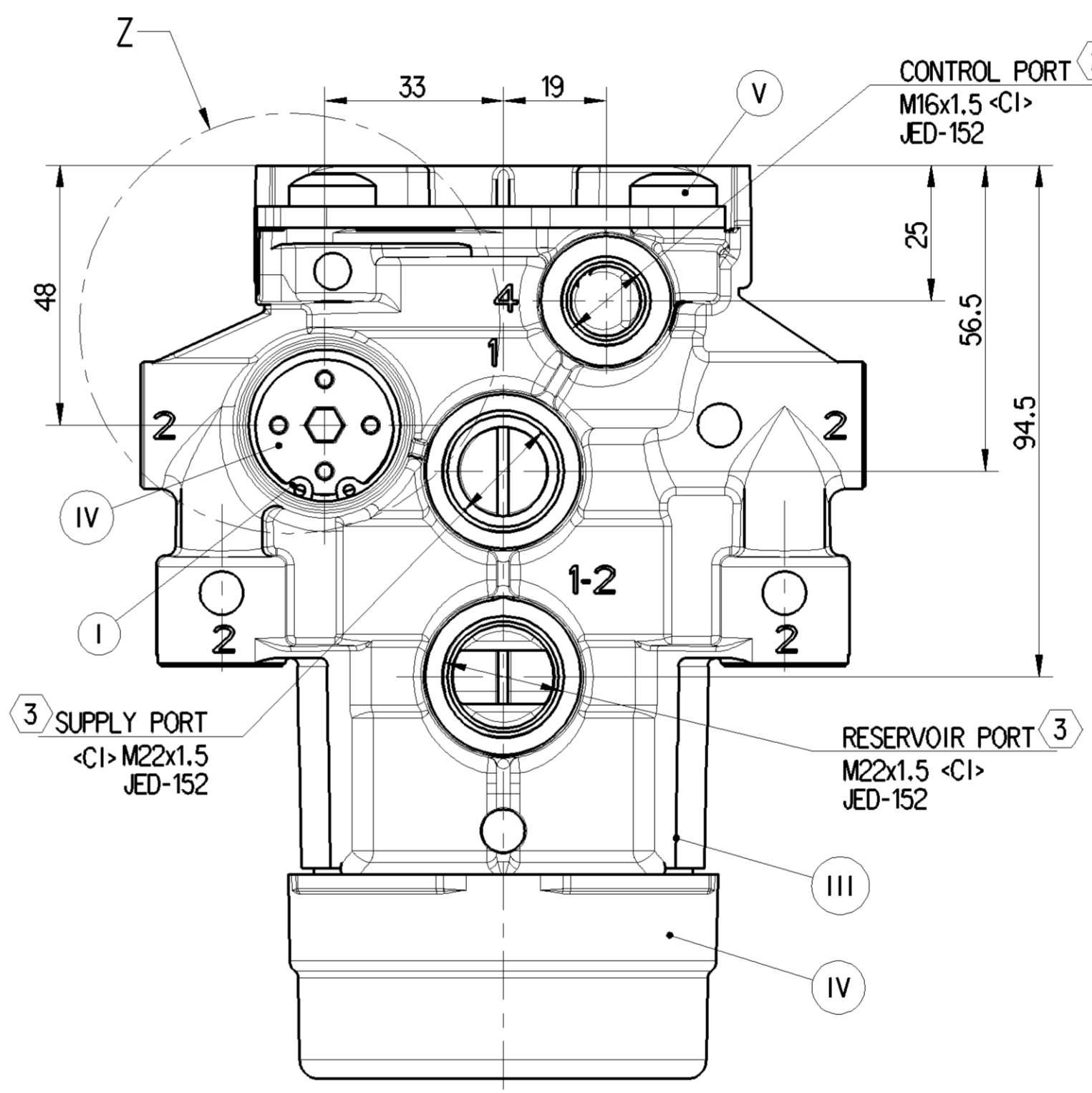
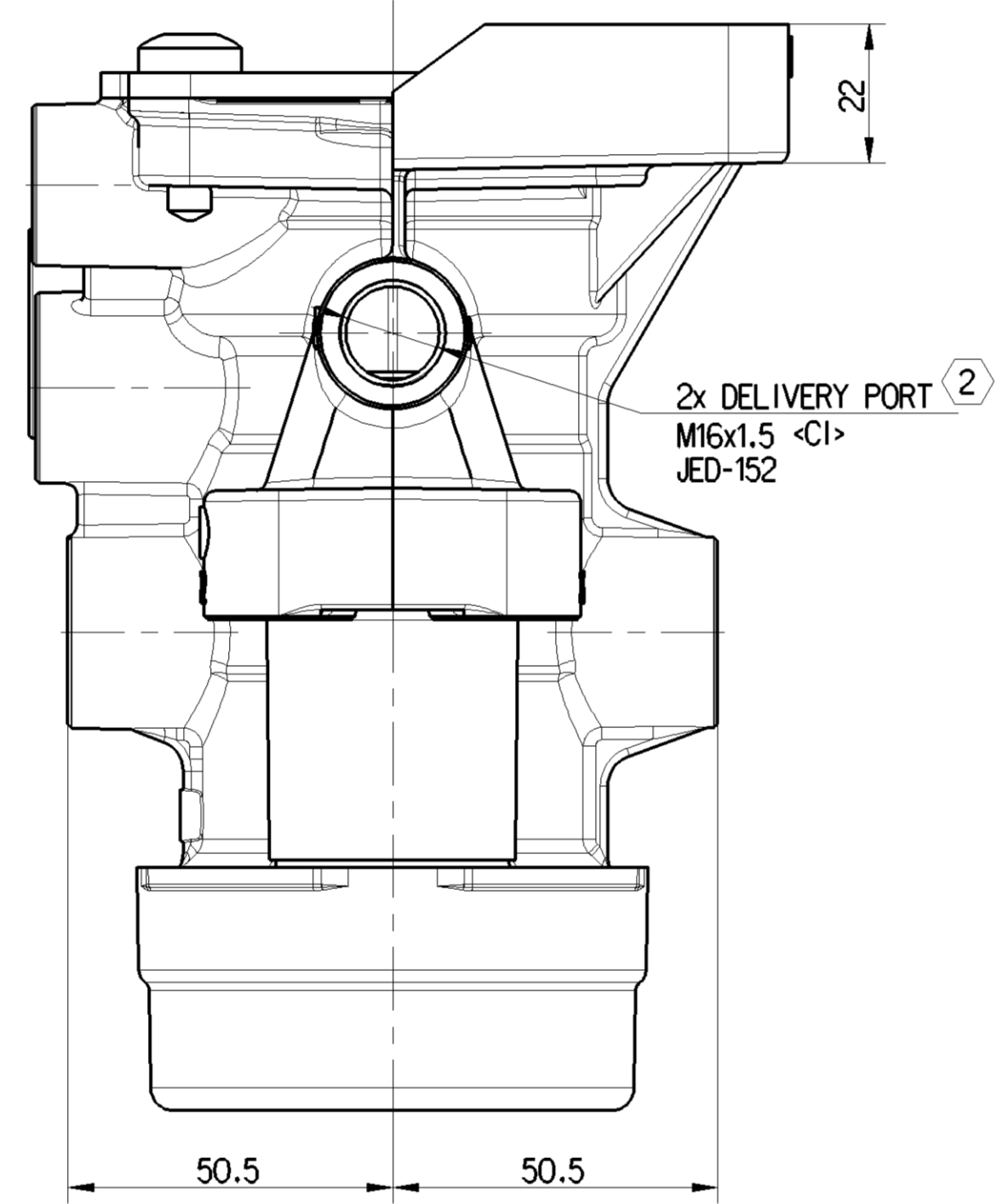
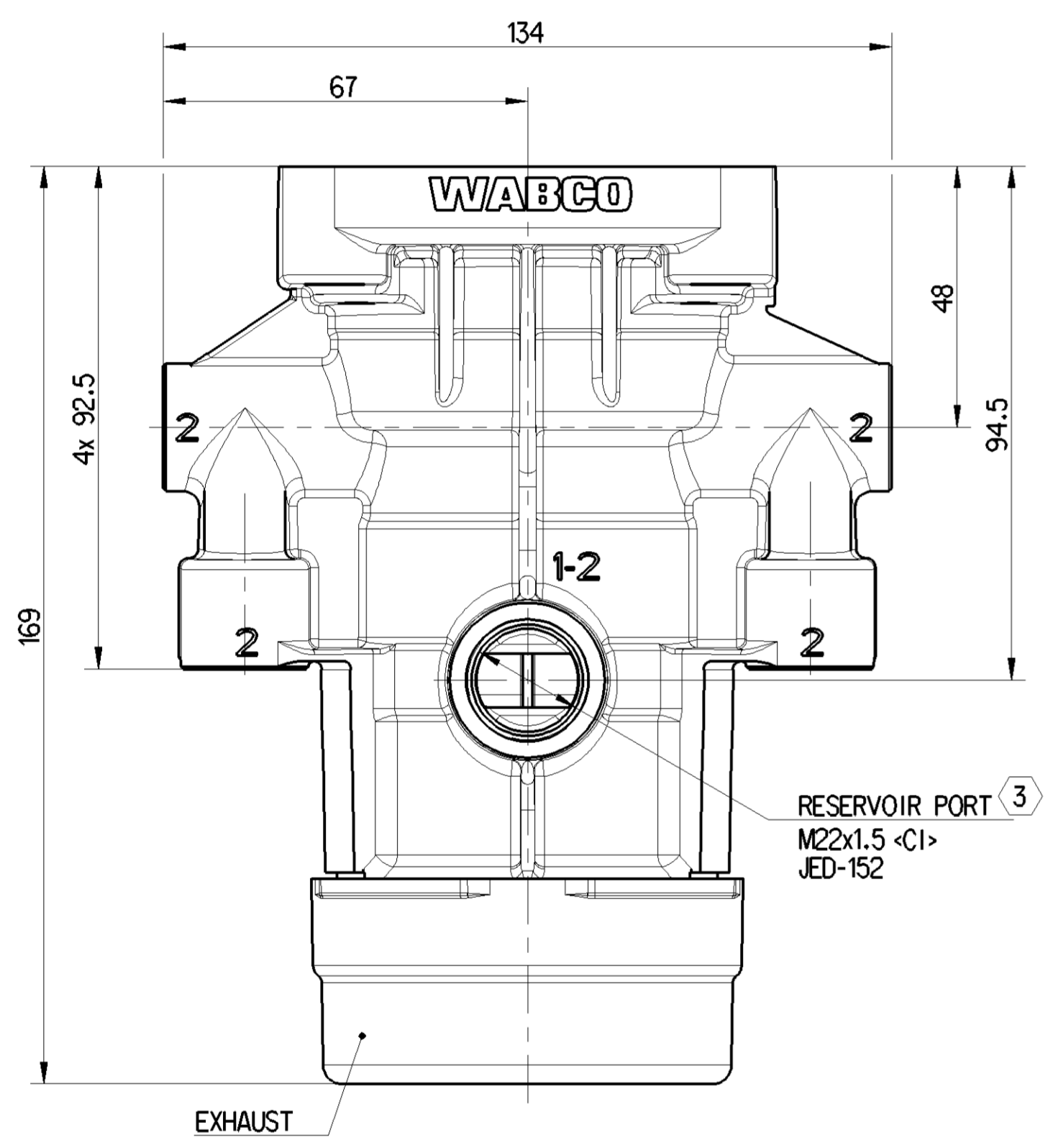


<1> SAFETY CHARACTERISTICS	0
<2> SIGNIFICANT CHARACTERISTICS	0
<CI> CUSTOMER INTERFACE	8



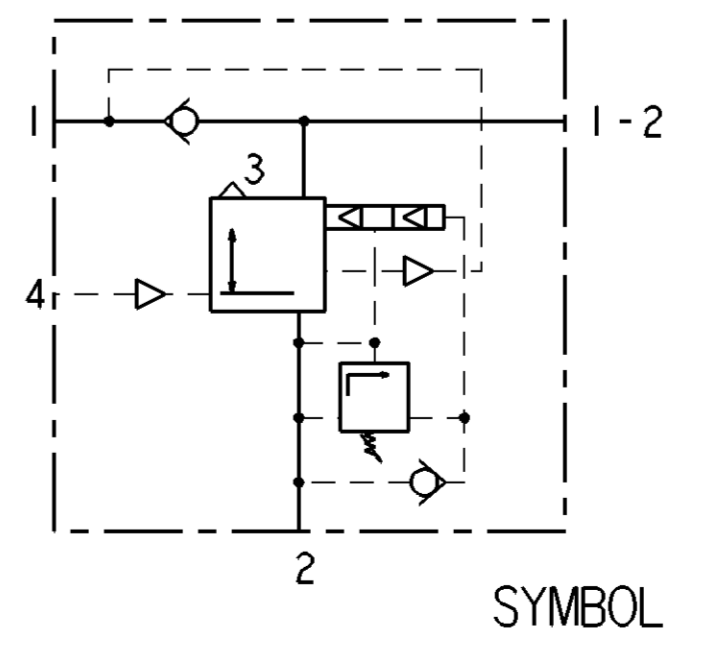
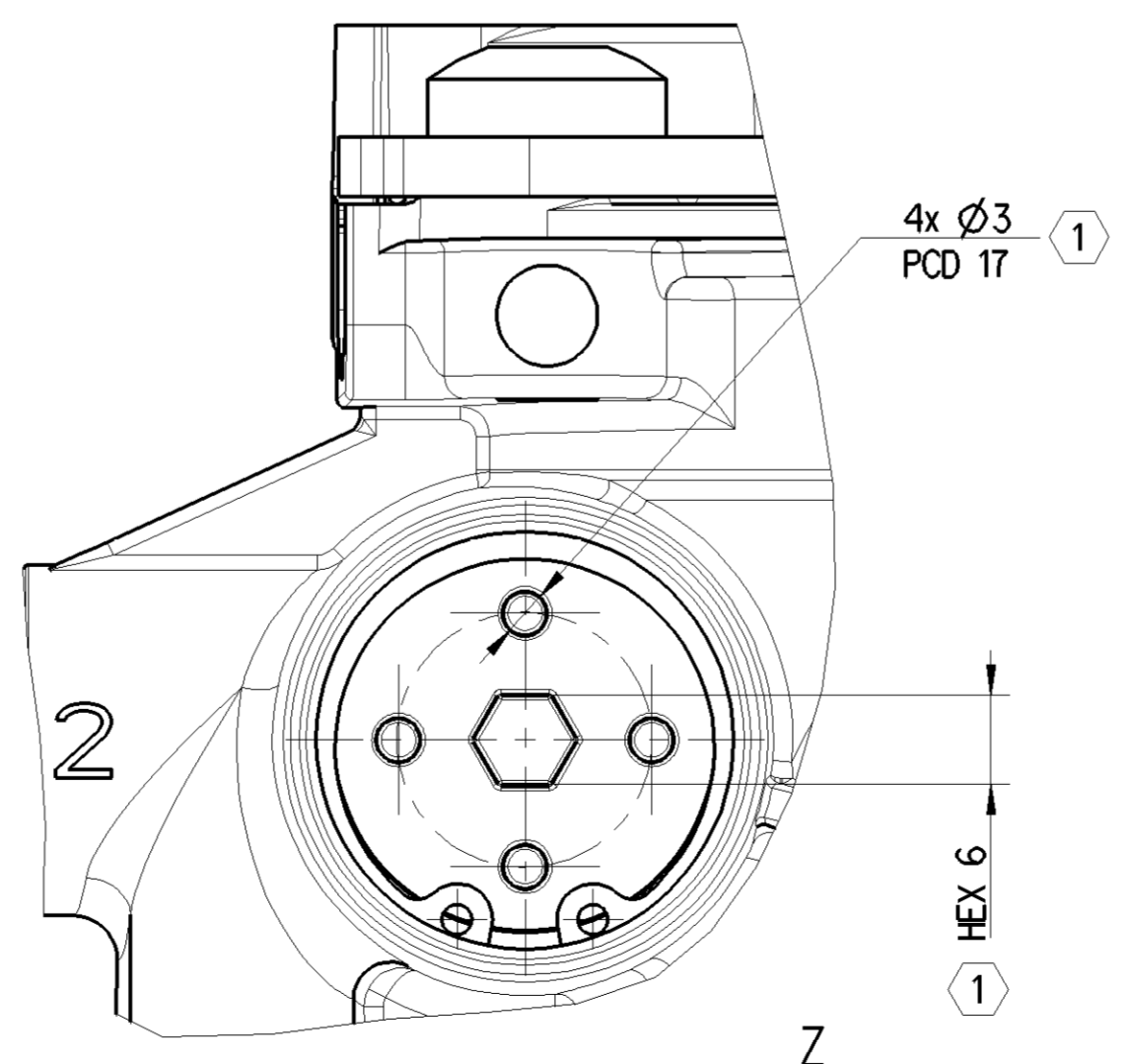
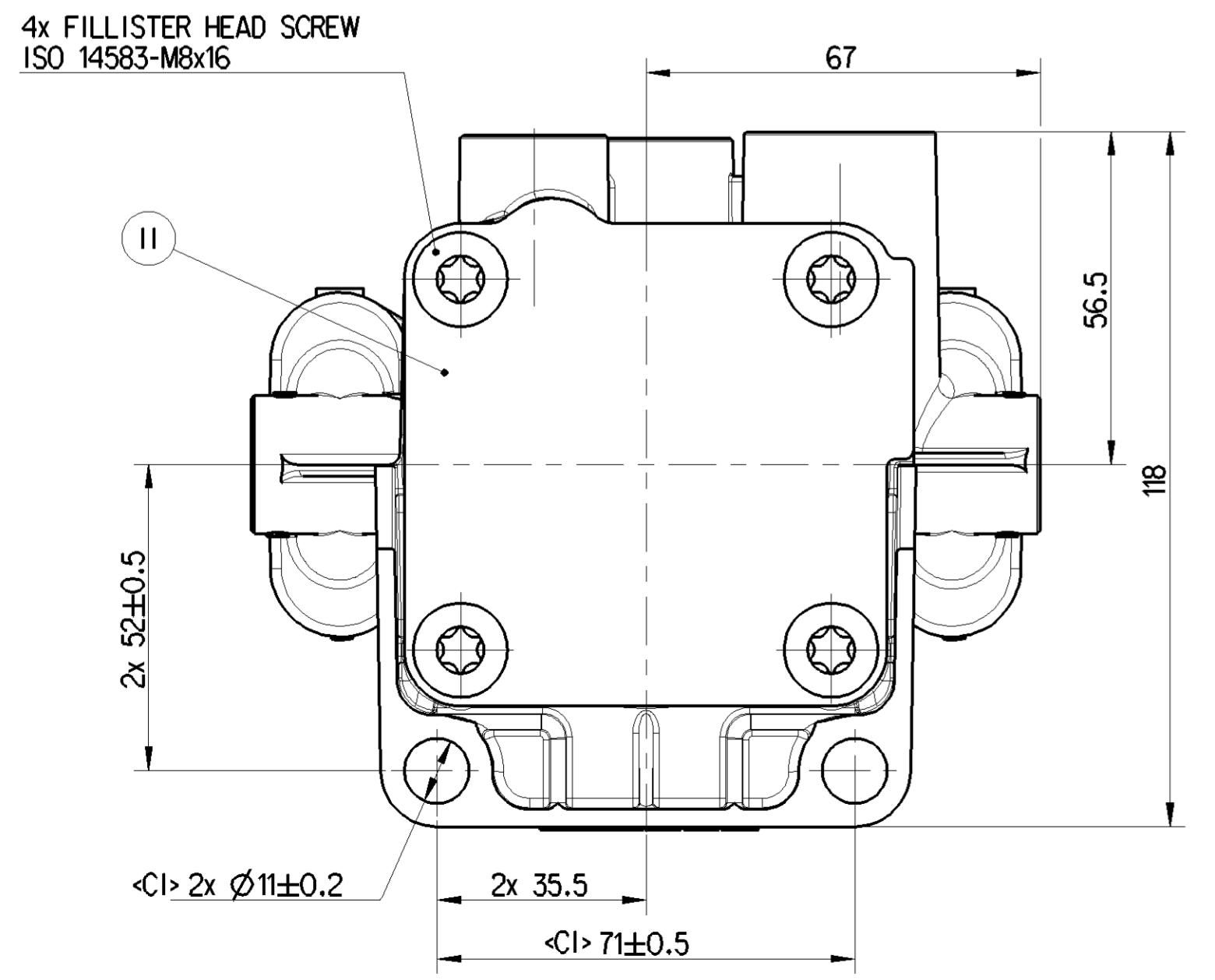
WORKING MEDIUM	AIR
THERMAL RANGE OF APPLICATION	-40° TO +65°C
SHORT TERM RESISTANCE TO HEAT	MAX. 1h AT 110°C
NOMINAL WORKING PRESSURE	9 bar
MAXIMUM WORKING PRESSURE	10 bar
PREDOMINANCE ADJUSTMENT RANGE PRESSURE	0 TO 0.7 bar
FILLING CRACK-OFF	0.5 bar MAX.
RELAY RATIO	>1
CRACK-OFF PRESSURE (WITHOUT PREDOM)	0.3 bar MAX. (+65°C TO -20°C) 0.35 bar MAX. (-20°C TO -40°C)
INSTALLATION POSITION	VERTICAL ±60° ALLOWED
PORT DESIGNATION	1 SUPPLY PORT 1-2 (2x) RESERVOIR PORT 2 (6x) DELIVERY PORT 4 CONTROL PORT
TIGHTENING TORQUE FOR MOUNTING BOLTS	45±2 Nm



CONDITION	FROM	TO	NOMINAL DIAMETER
FILLING	PORT 1	PORT 1-2	≥10 mm
BRAKING	PORT 1-2	PORT 2	≥11.5 mm
EXHAUSTING	PORT 2	PORT 3	≥10.6 mm

PART CODE	MATERIAL	SURFACE PROTECTION
V	STEEL	ZINC NICKEL PLATED
IV	PLASTIC	NO TREATMENT
III	ALUMINIUM ALLOY	CHROMATED
II	STEEL	POWDER COATED
I	STEEL	ZINC PLATED

- NOTE:
- ① PREDOMINANCE ADJUSTMENT
  - ② THREAD-M16x1.5, TIGHTENING TORQUE: 30 TO 35 Nm
  - ③ THREAD-M22x1.5, TIGHTENING TORQUE: 34 TO 40 Nm



General Specifications: JED-334-1 · Size ISO 14405 LP  
Further Technical Data: 971 002 049 0  
Doc. Code: 035 Sheet: 1 To 96

Copyright WABCO®  
Date: 2021-05-31  
Drawn: M S  
Checked: Szyszka  
Expert: Pomurugraj C

RELAY EMERGENCY VALVE  
6 PORT  
BASIC VARIANT

Material No.: 971 002 060 0  
Date of first issue: 2019-08-14  
Doc. Code: 005 EN 1/1  
Language: EN

Mass: 1.288 kg  
Scale: 1:1  
Size: 2:1  
CAD System: CREO

EDM-No.: 507805  
Revision: A  
Tech. Resp.: SCSO

1) Tolerance Class Applied Crossmarked

Tutti i diritti sono riservati. È vietata espressamente la ristampa o l'uso non autorizzato senza permesso scritto dalla WABCO. WABCO è un marchio registrato della WABCO. Tutti i diritti sono riservati. È vietata espressamente la ristampa o l'uso non autorizzato senza permesso scritto dalla WABCO. WABCO è un marchio registrato della WABCO.