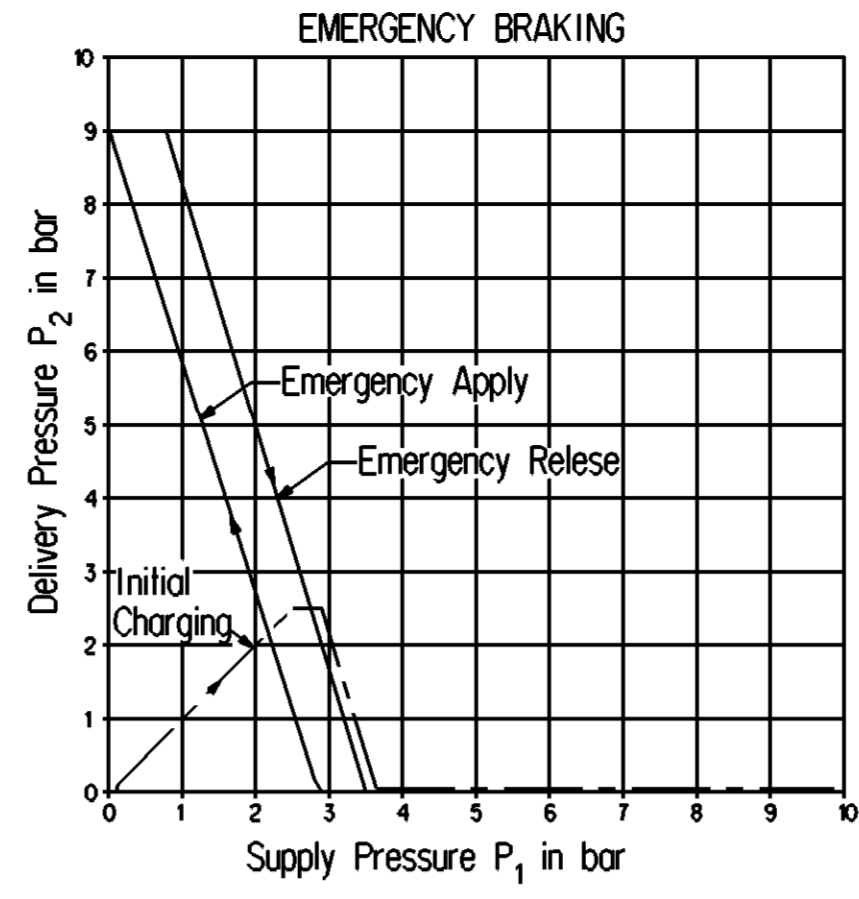
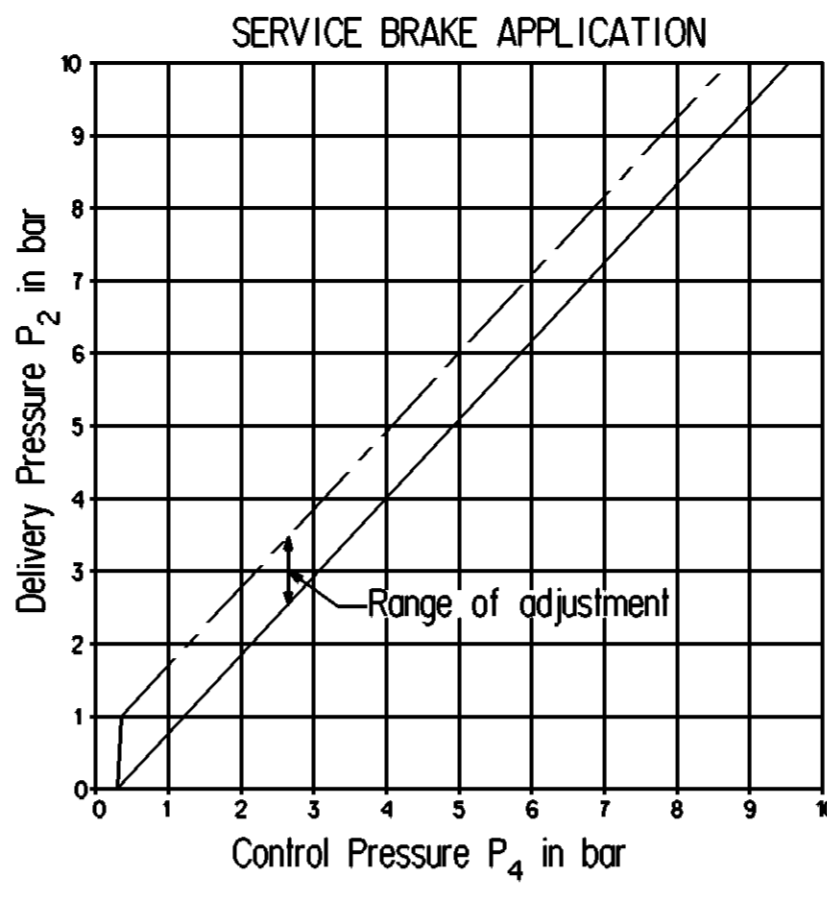
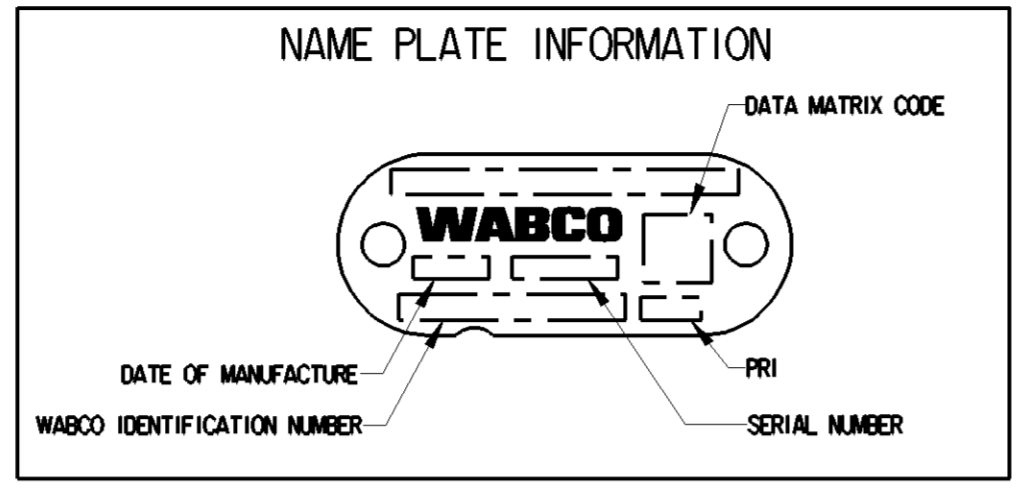
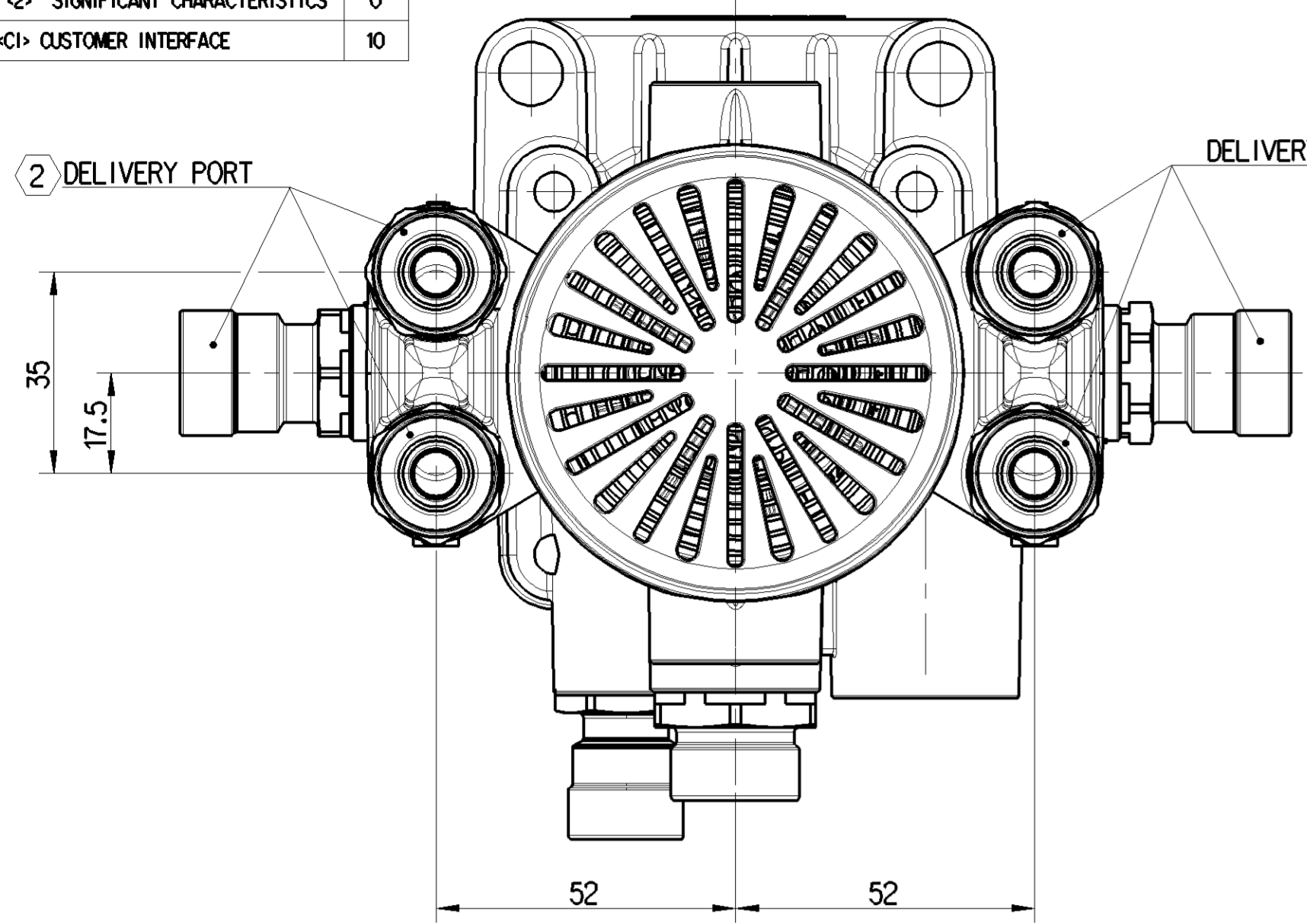
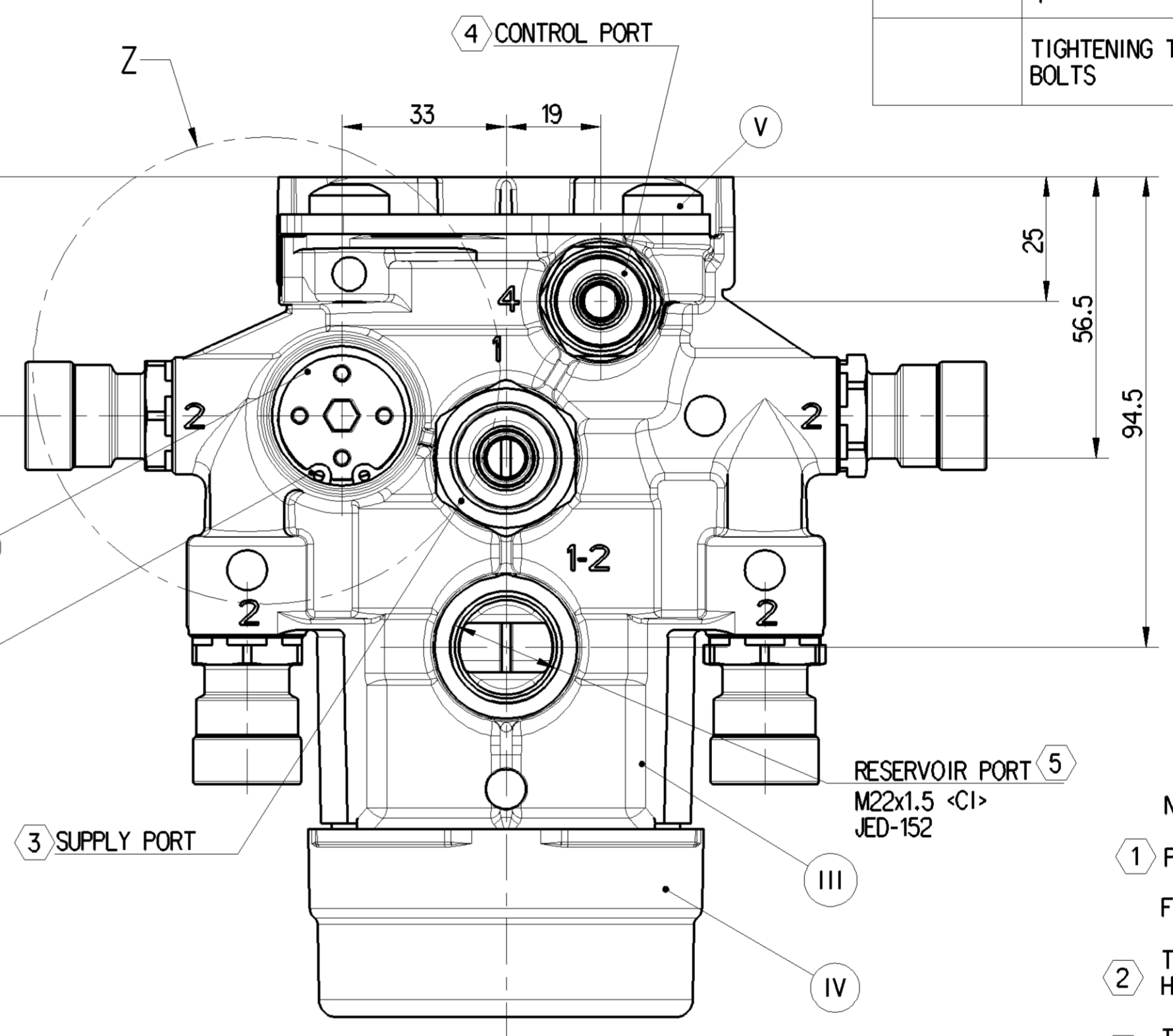
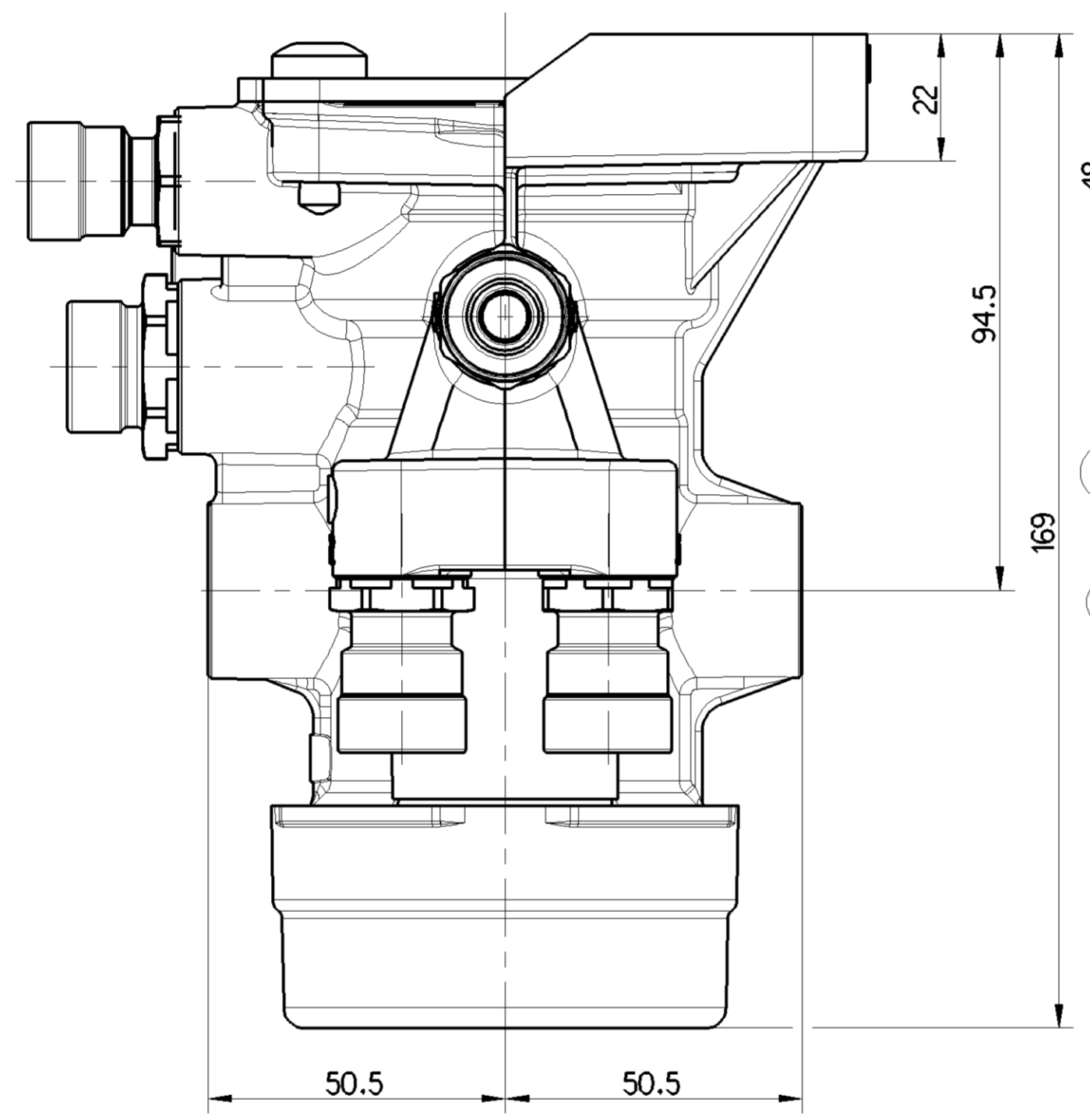
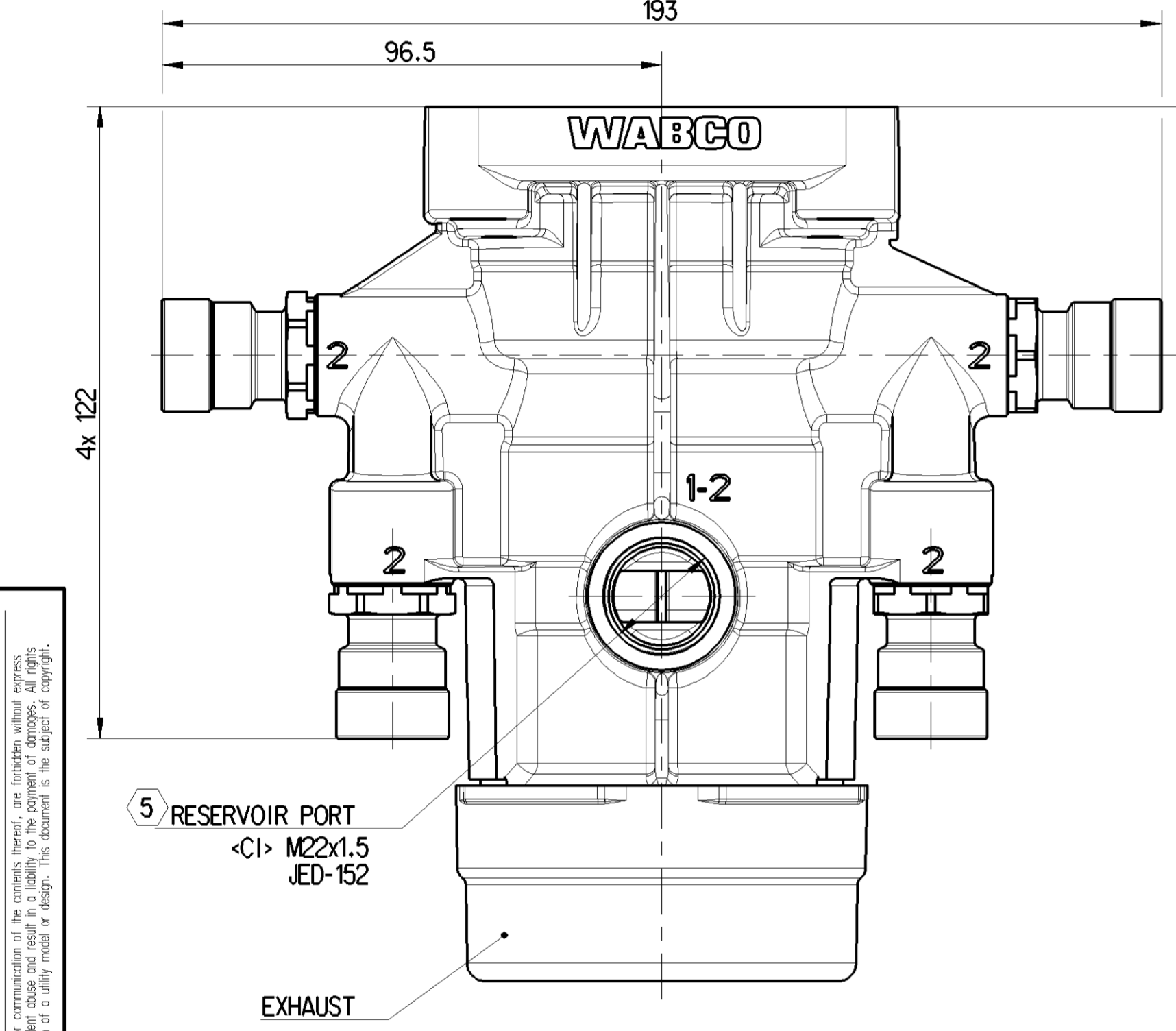


<1> SAFETY CHARACTERISTICS	0
<2> SIGNIFICANT CHARACTERISTICS	0
<C1> CUSTOMER INTERFACE	10



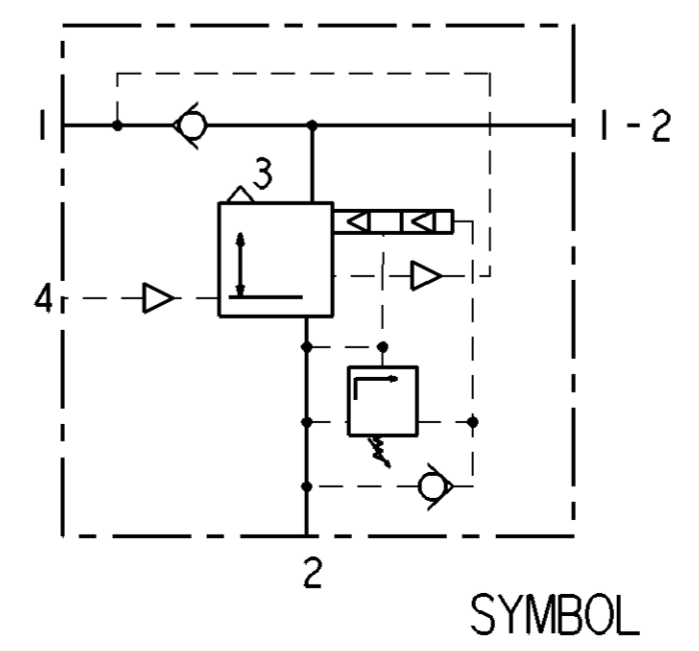
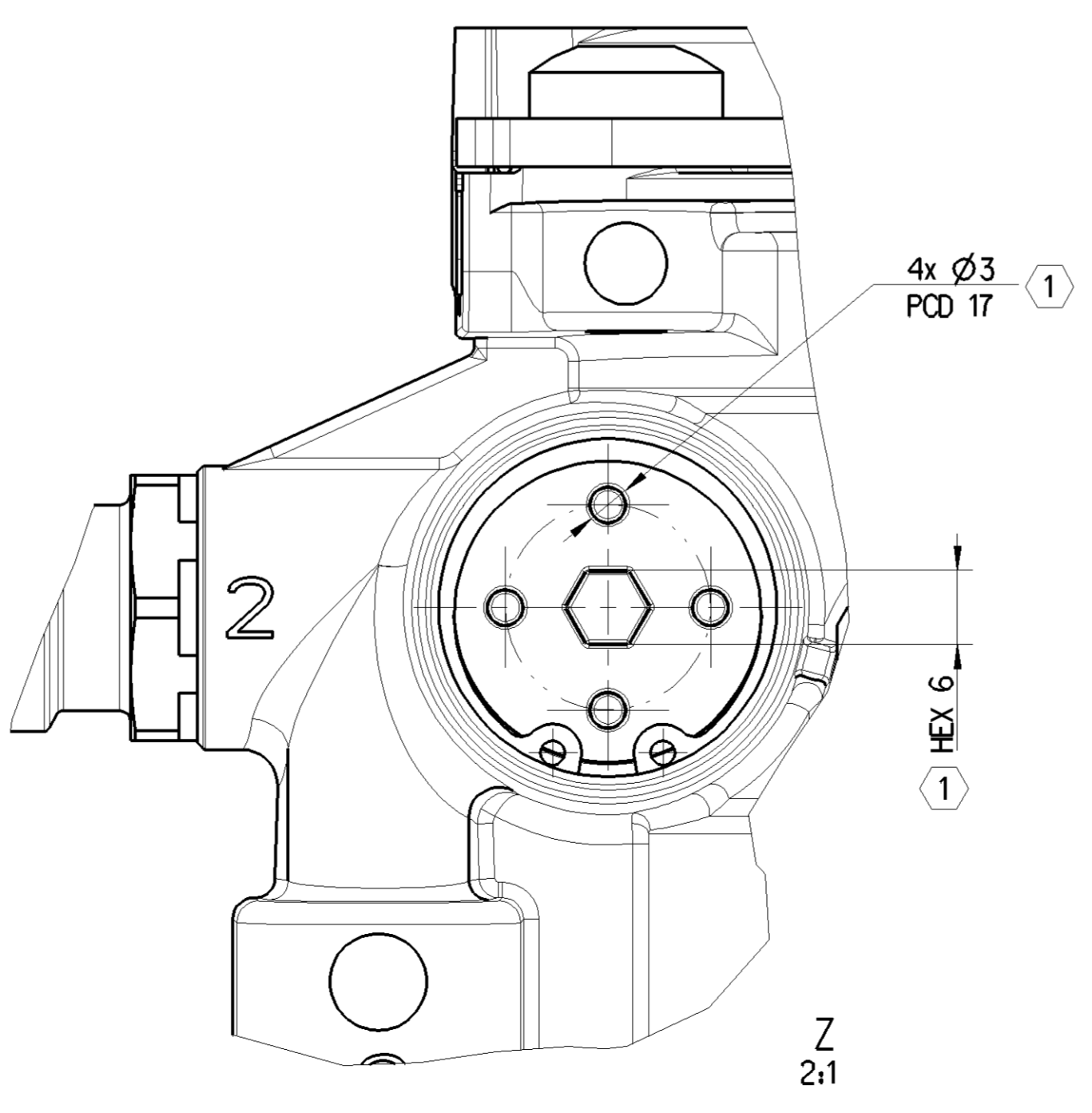
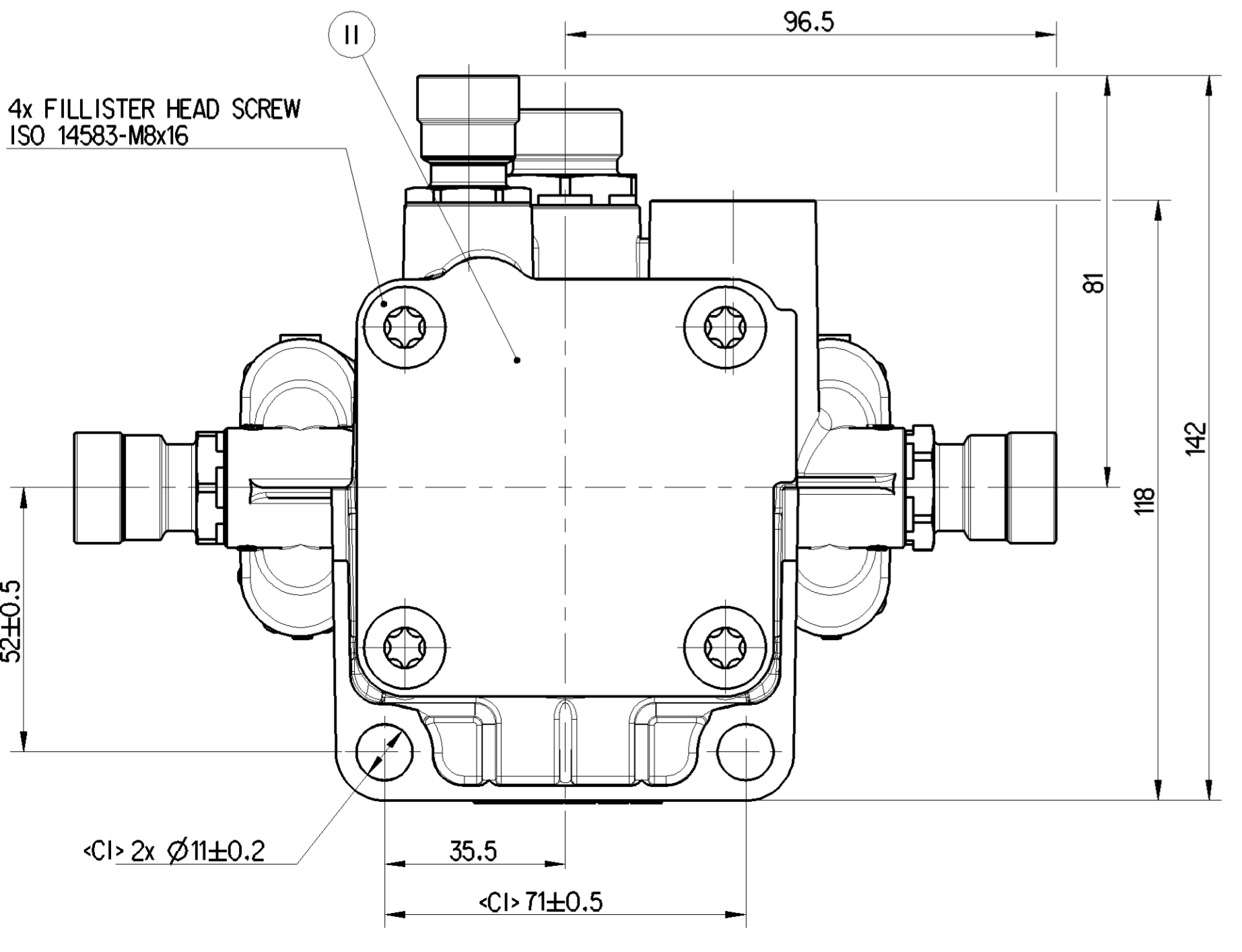
WORKING MEDIUM	AIR	
THERMAL RANGE OF APPLICATION	-40° TO +65°C	
SHORT TERM RESISTANCE TO HEAT	MAX. 1h AT 110°C	
NOMINAL WORKING PRESSURE	9 bar	
MAXIMUM WORKING PRESSURE	10 bar	
PREDOMINANCE ADJUSTMENT RANGE PRESSURE	0 TO 0.7 bar	
FILLING CRACK-OFF	0.5 bar MAX.	
RELAY RATIO	>1	
CRACK-OFF PRESSURE (WITHOUT PREDOM)	0.3 bar MAX. (+65°C TO -20°C) 0.35 bar MAX. (-20°C TO -40°C)	
INSTALLATION POSITION	VERTICAL ±60° ALLOWED	
PORT DESIGNATION	1	SUPPLY PORT
	1-2 (2x)	RESERVOIR PORT
	2 (6x)	DELIVERY PORT
	4	CONTROL PORT
TIGHTENING TORQUE FOR MOUNTING BOLTS	45±2 Nm	



CONDITION	FROM	TO	NOMINAL DIAMETER
FILLING	PORT 1	PORT 1-2	≥10 mm
BRAKING	PORT 1-2	PORT 2	≥11.5 mm
EXHAUSTING	PORT 2	PORT 3	≥10.6 mm

PART CODE	MATERIAL	SURFACE PROTECTION
V	STEEL	ZINC NICKEL PLATED
IV	PLASTIC	NO TREATMENT
III	ALUMINIUM ALLOY	CHROMATED
II	STEEL	POWDER COATED
I	STEEL	ZINC PLATED

Tutti i diritti sono riservati. È vietata espressamente la ristampa o l'uso non autorizzato senza permesso scritto dalla WABCO. È vietata espressamente la ristampa o l'uso non autorizzato senza permesso scritto dalla WABCO. È vietata espressamente la ristampa o l'uso non autorizzato senza permesso scritto dalla WABCO. È vietata espressamente la ristampa o l'uso non autorizzato senza permesso scritto dalla WABCO.



- NOTE:
- ① PREDOMINANCE ADJUSTMENT
- FITTING DETAILS:
- ② TUBE SIZE-12x1.5 <C1>, PUSH IN LENGTH -25mm <C1> HEX 22, THREAD-M16x1.5, TIGHTENING TORQUE 30 TO 35 Nm
 - ③ TUBE SIZE-12x1.5 <C1>, PUSH IN LENGTH -25mm <C1> HEX 28, THREAD-M22x1.5, TIGHTENING TORQUE 34 TO 40 Nm
 - ④ TUBE SIZE-10x1 <C1>, PUSH IN LENGTH -24mm <C1> HEX 22, THREAD-M16x1.5, TIGHTENING TORQUE 30 TO 35 Nm
- RECOMMENDED TORQUE FOR FITTINGS:
- ⑤ THREAD-M22x1.5, TIGHTENING TORQUE: 34 TO 40 Nm

General Specifications: JED-334-1 - Size ISO 14406 LP		Copyright WABCO®	
Further Technical Data: 971 002 049 0	Date: 2021-05-31	Signature: M S	Doc. Code: 035
Doc. Code: 035	Sheet: 1 To 56	Checked: Szyszka	Expert: Pomurugraj C
General Tolerances JED-261		Mass: 1.637 kg	Scale: 1:1
Range of Nominal Dimensions (± mm)		Size: 2.0 CAD System	Material No.: 971 002 061 0
Class II	≤ 50	± 0.1	± 0.1
Class III	> 50	± 0.15	± 0.15
Class IV	> 180	± 0.2	± 0.2
Class V	> 180	± 0.3	± 0.3
Class VI	> 400	± 0.4	± 0.4
Class VII	> 400	± 0.5	± 0.5
Class VIII	> 400	± 0.6	± 0.6
Class IX	> 400	± 0.7	± 0.7
Class X	> 400	± 0.8	± 0.8
Class XI	> 400	± 0.9	± 0.9
Class XII	> 400	± 1.0	± 1.0
Class XIII	> 400	± 1.1	± 1.1
Class XIV	> 400	± 1.2	± 1.2
Class XV	> 400	± 1.3	± 1.3
Class XVI	> 400	± 1.4	± 1.4
Class XVII	> 400	± 1.5	± 1.5
Class XVIII	> 400	± 1.6	± 1.6
Class XIX	> 400	± 1.7	± 1.7
Class XX	> 400	± 1.8	± 1.8
Class XXI	> 400	± 1.9	± 1.9
Class XXII	> 400	± 2.0	± 2.0
Class XXIII	> 400	± 2.1	± 2.1
Class XXIV	> 400	± 2.2	± 2.2
Class XXV	> 400	± 2.3	± 2.3
Class XXVI	> 400	± 2.4	± 2.4
Class XXVII	> 400	± 2.5	± 2.5
Class XXVIII	> 400	± 2.6	± 2.6
Class XXIX	> 400	± 2.7	± 2.7
Class XXX	> 400	± 2.8	± 2.8
Class XXXI	> 400	± 2.9	± 2.9
Class XXXII	> 400	± 3.0	± 3.0
Class XXXIII	> 400	± 3.1	± 3.1
Class XXXIV	> 400	± 3.2	± 3.2
Class XXXV	> 400	± 3.3	± 3.3
Class XXXVI	> 400	± 3.4	± 3.4
Class XXXVII	> 400	± 3.5	± 3.5
Class XXXVIII	> 400	± 3.6	± 3.6
Class XXXIX	> 400	± 3.7	± 3.7
Class XXXX	> 400	± 3.8	± 3.8
Class XXXXI	> 400	± 3.9	± 3.9
Class XXXXII	> 400	± 4.0	± 4.0
Class XXXXIII	> 400	± 4.1	± 4.1
Class XXXXIV	> 400	± 4.2	± 4.2
Class XXXXV	> 400	± 4.3	± 4.3
Class XXXXVI	> 400	± 4.4	± 4.4
Class XXXXVII	> 400	± 4.5	± 4.5
Class XXXXVIII	> 400	± 4.6	± 4.6
Class XXXXIX	> 400	± 4.7	± 4.7
Class XXXXX	> 400	± 4.8	± 4.8
Class XXXXXI	> 400	± 4.9	± 4.9
Class XXXXXII	> 400	± 5.0	± 5.0
Class XXXXXIII	> 400	± 5.1	± 5.1
Class XXXXXIV	> 400	± 5.2	± 5.2
Class XXXXXV	> 400	± 5.3	± 5.3
Class XXXXXVI	> 400	± 5.4	± 5.4
Class XXXXXVII	> 400	± 5.5	± 5.5
Class XXXXXVIII	> 400	± 5.6	± 5.6
Class XXXXXIX	> 400	± 5.7	± 5.7
Class XXXXXX	> 400	± 5.8	± 5.8
Class XXXXXI	> 400	± 5.9	± 5.9
Class XXXXXII	> 400	± 6.0	± 6.0
Class XXXXXIII	> 400	± 6.1	± 6.1
Class XXXXXIV	> 400	± 6.2	± 6.2
Class XXXXXV	> 400	± 6.3	± 6.3
Class XXXXXVI	> 400	± 6.4	± 6.4
Class XXXXXVII	> 400	± 6.5	± 6.5
Class XXXXXVIII	> 400	± 6.6	± 6.6
Class XXXXXIX	> 400	± 6.7	± 6.7
Class XXXXXX	> 400	± 6.8	± 6.8
Class XXXXXI	> 400	± 6.9	± 6.9
Class XXXXXII	> 400	± 7.0	± 7.0
Class XXXXXIII	> 400	± 7.1	± 7.1
Class XXXXXIV	> 400	± 7.2	± 7.2
Class XXXXXV	> 400	± 7.3	± 7.3
Class XXXXXVI	> 400	± 7.4	± 7.4
Class XXXXXVII	> 400	± 7.5	± 7.5
Class XXXXXVIII	> 400	± 7.6	± 7.6
Class XXXXXIX	> 400	± 7.7	± 7.7
Class XXXXXX	> 400	± 7.8	± 7.8
Class XXXXXI	> 400	± 7.9	± 7.9
Class XXXXXII	> 400	± 8.0	± 8.0
Class XXXXXIII	> 400	± 8.1	± 8.1
Class XXXXXIV	> 400	± 8.2	± 8.2
Class XXXXXV	> 400	± 8.3	± 8.3
Class XXXXXVI	> 400	± 8.4	± 8.4
Class XXXXXVII	> 400	± 8.5	± 8.5
Class XXXXXVIII	> 400	± 8.6	± 8.6
Class XXXXXIX	> 400	± 8.7	± 8.7
Class XXXXXX	> 400	± 8.8	± 8.8
Class XXXXXI	> 400	± 8.9	± 8.9
Class XXXXXII	> 400	± 9.0	± 9.0
Class XXXXXIII	> 400	± 9.1	± 9.1
Class XXXXXIV	> 400	± 9.2	± 9.2
Class XXXXXV	> 400	± 9.3	± 9.3
Class XXXXXVI	> 400	± 9.4	± 9.4
Class XXXXXVII	> 400	± 9.5	± 9.5
Class XXXXXVIII	> 400	± 9.6	± 9.6
Class XXXXXIX	> 400	± 9.7	± 9.7
Class XXXXXX	> 400	± 9.8	± 9.8
Class XXXXXI	> 400	± 9.9	± 9.9
Class XXXXXII	> 400	± 10.0	± 10.0