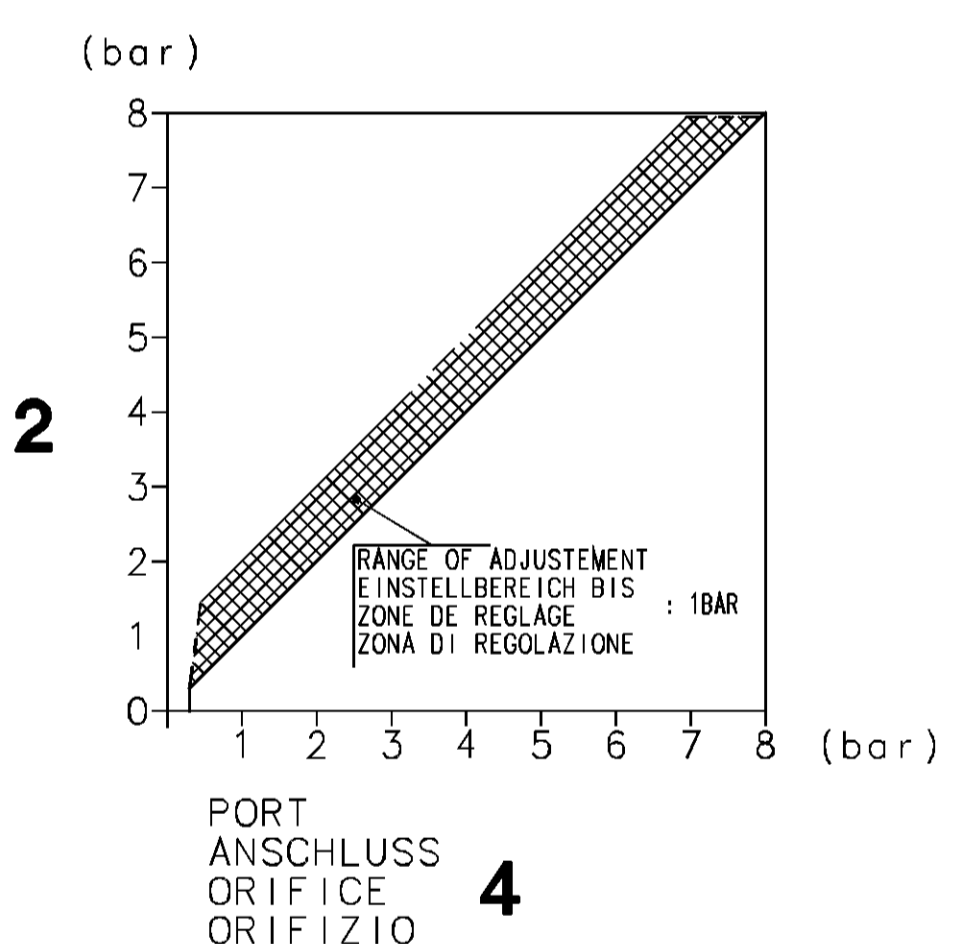
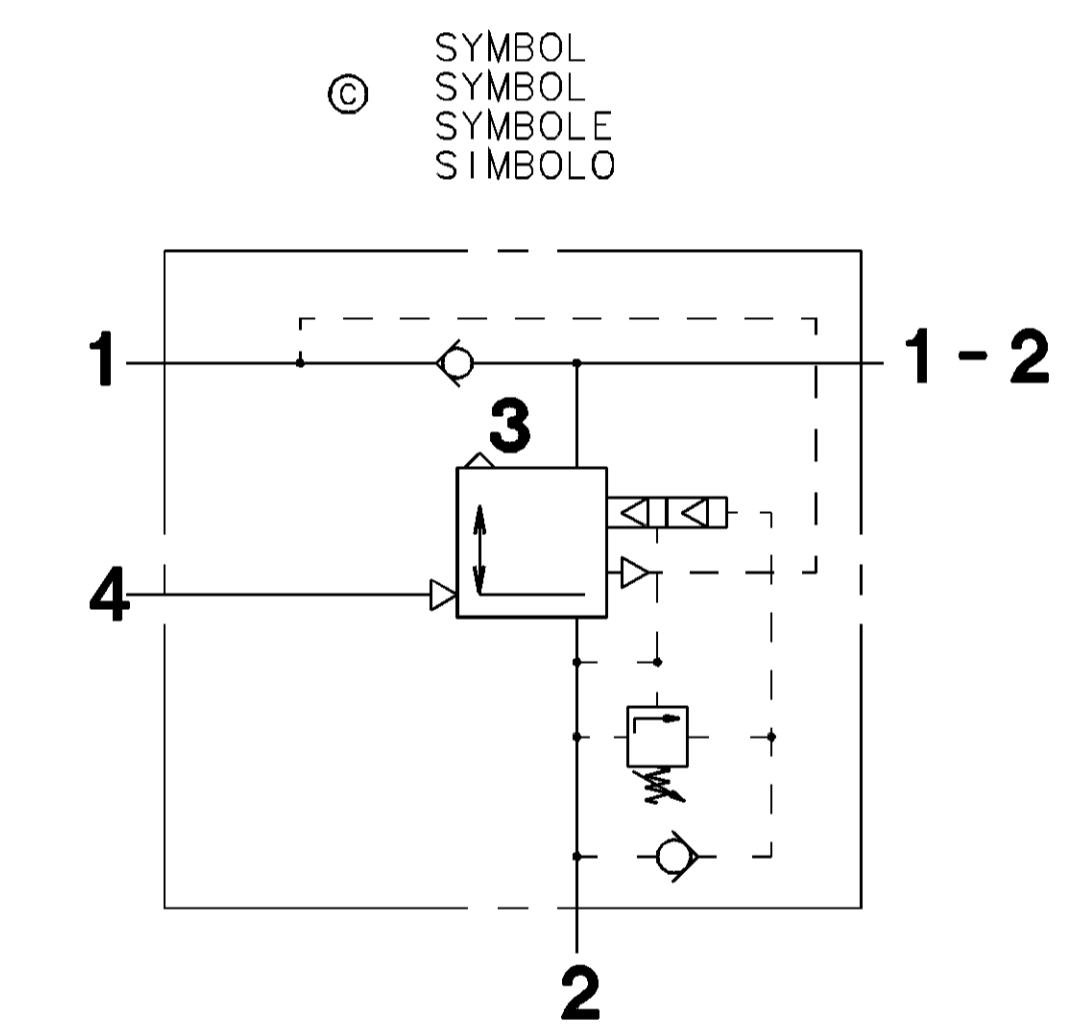
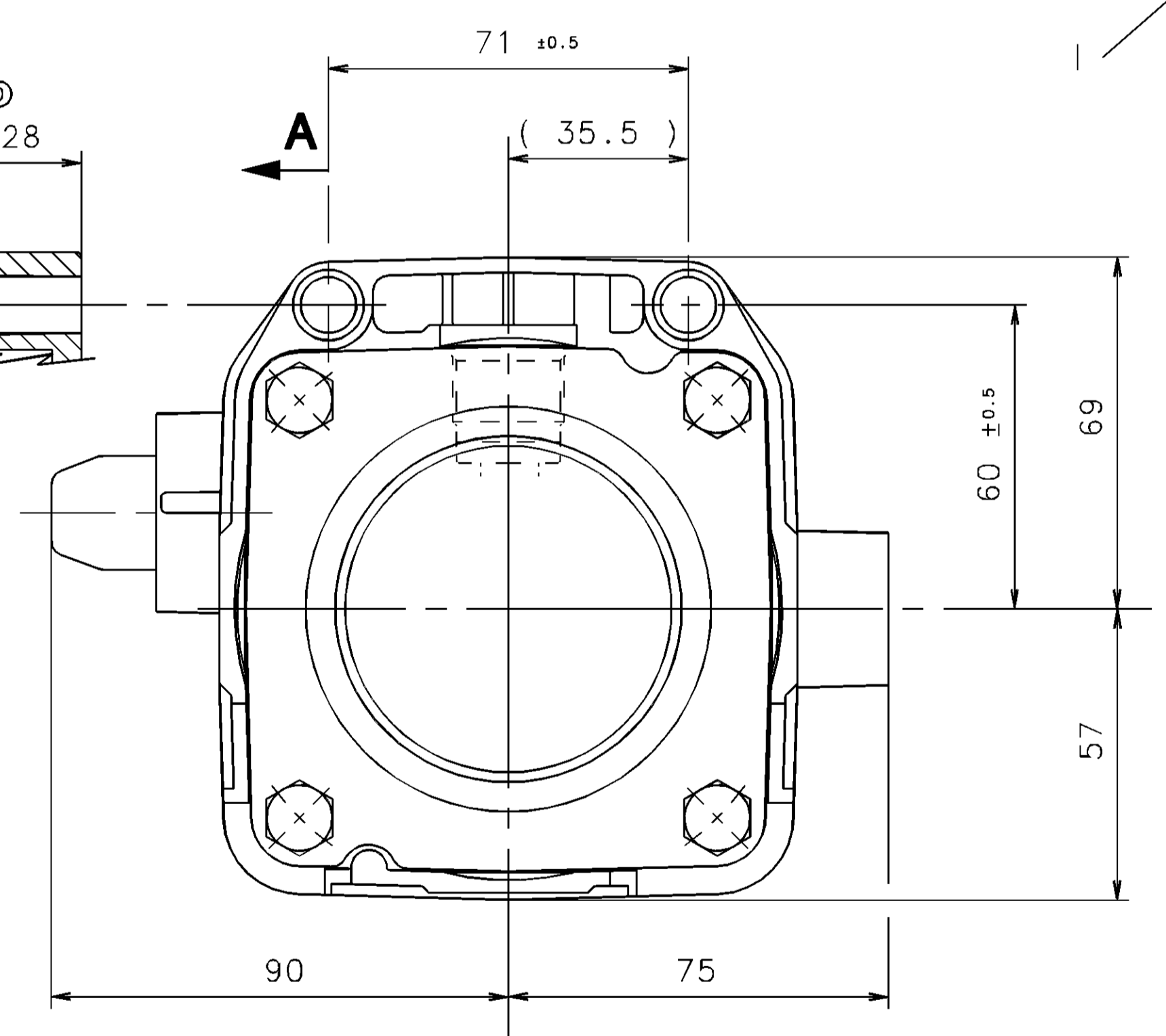
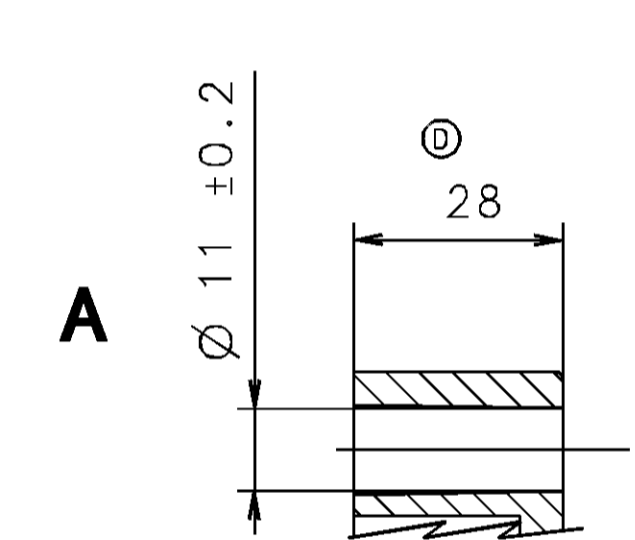


EMERGENCY BRAKING
AUTOM. BREMSUNG
FREINAGE AUTOM.
FRENATURA AUTOM.



SERVICE BRAKING
BETRIEBSBREMSUNG
FREINAGE DIRECT
FRENATURA MODERABLE

	MATERIAL	SURFACE PROTECTION
I	JED 051 M4/Fe	JED 256
II	Al	JED 007.1
III	JED 021 M2/Fe	CATAPHORESE
IV	PE	×
V	Fe	PHOSPHATE-HUILE
VI	JED 021 M2/Fe	JED 256
VII	JED 029 M1/Al	JED 259

MEDIUM : AIR MEDIUM : LUFT FLUIDE : AIR FLUIDO : ARIA	
THERMAL RANGE THERM. ANWENDUNGSBEREICH TEMPERATURE D'UTILISATION TEMPERATURA DI UTILIZZAZIONE	-40°.....+80°C
WORKING PRESSURE BETRIEBSDRUCK PRESSION D'UTILISATION PRESSIONE DI ESERCIZIO	8.5 BAR MAX
TORQUE FOR CONNECTIONS ANZUGSMOMENT FUER SCHRAUBSTUTZEN COUPLE DE SERRAGE DES RACCORDS COPPIA DI SERRAGGIO DEI RACCORDI	* 34 N.m MAX ** 53 N.m MAX

- 1** PORT FOR EMERGENCY LINE
ANSCHLUSS FUER VORRATSLEITUNG
ORIFICE POUR CONDUITE AUTOMATIQUE
ORIFIZIO PER LA CONDOTTA AUTOMATICA
- 1-2** RESERVOIR SUPPLY PORT
ANSCHLUSS FUER LUFTBEHAELTER
ORIFICE AU RESERVOIR
ORIFIZIO AL SERBATOIO
- 2** BRAKE CYLINDER PORT
ANSCHLUSS FUER ZYLINDER
ORIFICE AUX CYLINDRES
ORIFIZIO AI CILINDRI
- 3** AIR EXHAUST
ENTLUEFTUNG
ECHAPPEMENT
SCARICO
- 4** PORT FOR SERVICE LINE
ANSCHLUSS FUER BREMSLEITUNG
ORIFICE POUR CONDUITE DIRECTE
ORIFIZIO PER LA CONDOTTA MODERABLE

FURTHER TECHNICAL DATA SEE		L	
IDENTIFICATION NO.:	605	K	
CODE FOR DOCUMENT:	605	J	
SHEET:	TO	H	
GENERAL TOLERANCES		G	
RANGE OF NOMINAL DIMENSIONS (± mm)		F	
CLASS	1) ≤50	E	
	>50 ≤180	D	
	>180 ≤400	C	
	>400	B	
		A	
TAPPED HOLES ACC. ISO 4039 / JED-152	93027	93027	93027
1) TOLERANCE CLASS APPLIED CROSSMARKED			

COPYRIGHT		WABCO	
DATE	SIGNATURE	EMERGENCY VALVE	
92-11-19	ET/DUNAL	ANHAENGER-BREMSVENTIL	
CHECKED		VALVE RELAIS D'URGENCE	
92-11-19	BION	SERVODISTRIBUTORE	
STANDARDIZATION		PRODUCT IDENTIFICATION NO.	
92-12-03/92187		971 002 300 0	
MASS	SCALE	CODE FOR DOCUMENT	SHEET
1.4	1:1	605	1/1
SIZE	T.R.I.	REPLACEMENT FOR	
A 1	210	884607046	
DCN-NO.	REV.	DATE	

THIS DRAWING IS THE PROPERTY OF WABCO. IT IS TO BE USED ONLY FOR THE PURPOSES SPECIFIED IN THE ORDER. IT IS NOT TO BE REPRODUCED OR TRANSMITTED IN ANY FORM OR BY ANY MEANS, ELECTRONIC OR MECHANICAL, INCLUDING PHOTOCOPYING, RECORDING, OR BY ANY INFORMATION STORAGE AND RETRIEVAL SYSTEM. WABCO ASSUMES NO LIABILITY FOR THE REGISTRATION OF A UTILITY MODEL OF DESIGN. THIS DRAWING IS SUBJECT TO PATENT PROTECTION.