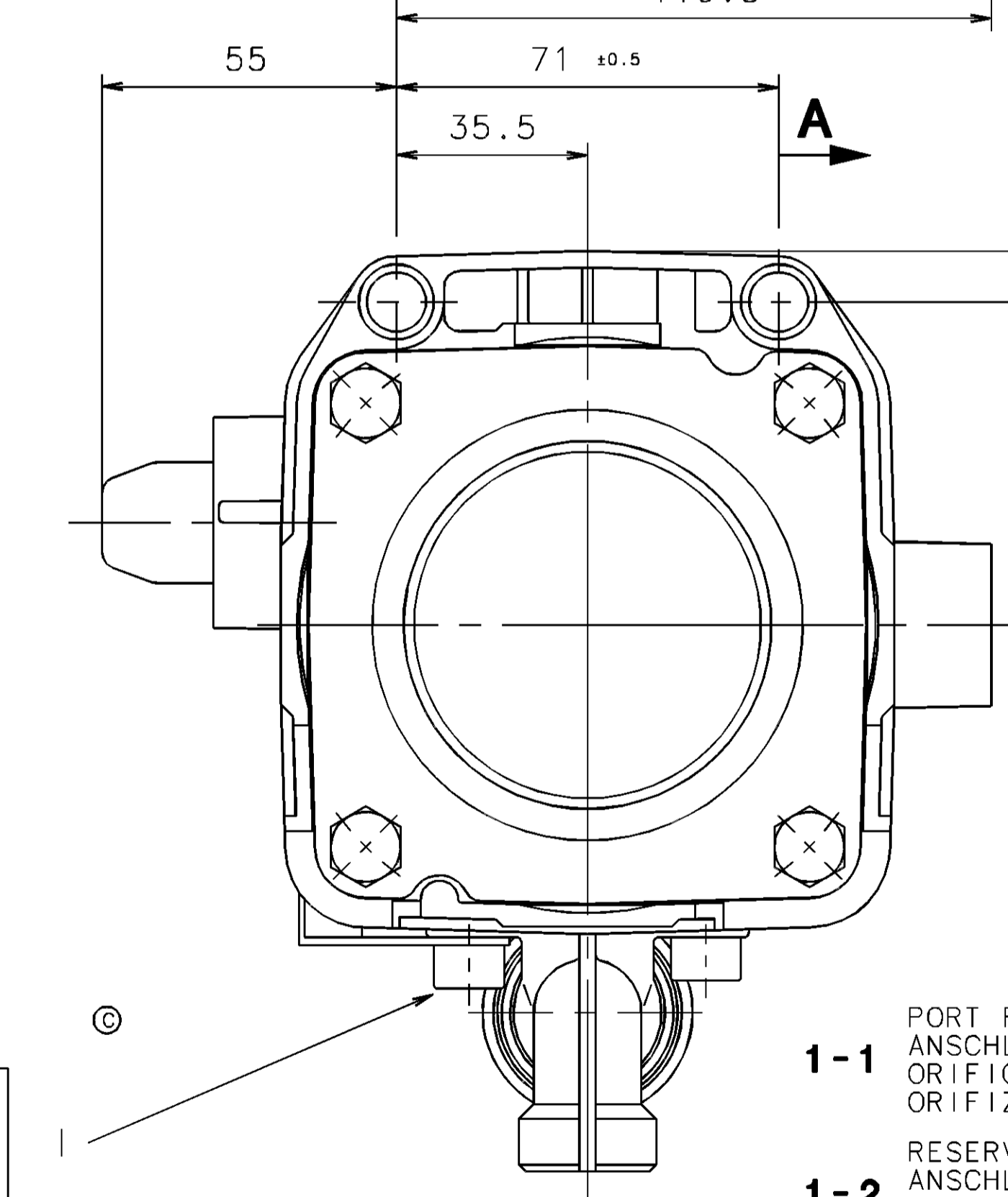


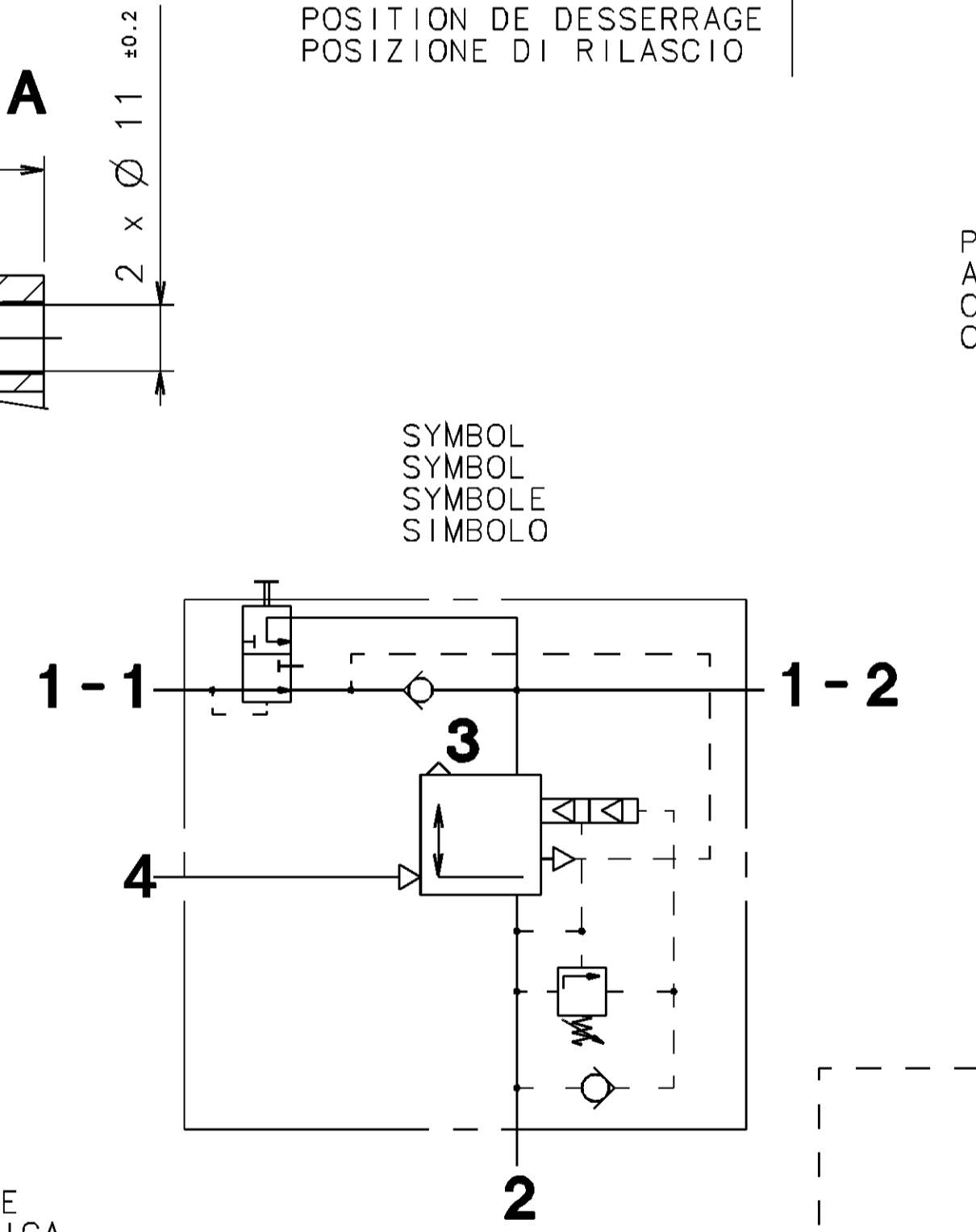
THIS DRAWING IS THE PROPERTY OF WABCO. IT IS TO BE USED ONLY FOR THE PURPOSES SPECIFIED IN THE DRAWING. IT IS NOT TO BE REPRODUCED, COPIED, OR TRANSMITTED IN ANY FORM OR BY ANY MEANS, ELECTRONIC OR MECHANICAL, INCLUDING PHOTOCOPYING, RECORDING, OR BY ANY INFORMATION STORAGE AND RETRIEVAL SYSTEM. WABCO ASSUMES NO LIABILITY FOR THE USE OF THIS DRAWING IN ANY MANNER OTHER THAN THAT AUTHORIZED BY WABCO. ALL RIGHTS ARE RESERVED.

	MATERIAL	SURFACE PROTECTION
I	JED 051 M4/Fe	JED 256
II		
III	Al	JED 007.1
IV	JED 021 M2/Fe	CATAPHORESE
V	PE	×
VI	Fe	JED 371
VII	JED 021 M2/Fe	JED 256
VIII	JED 029 M1/Al	JED 259
IX	JED 029 M3/Al	JED 259
X	POM	×

MEDIUM : AIR MEDIUM : LUFT FLUIDE : AIR FLUIDO : ARIA	
THERMAL RANGE THERM. ANWENDUNGSBEREICH TEMPERATURE D'UTILISATION TEMPERATURA DI UTILIZZAZIONE	-40°.....+80°C
WORKING PRESSURE BETRIEBSDRUCK PRESSION D'UTILISATION PRESSIONE DI ESERCIZIO	8.5 BAR MAX
TORQUE FOR CONNECTIONS ANZUGSMOMENT FUER SCHRAUBSTUTZEN COUPLE DE SERRAGE DES RACCORDS COPPIA DI SERRAGGIO DEI RACCORDI	* 34 N.m MAX ** 53 N.m MAX



- 1-1 PORT FOR EMERGENCY LINE
ANSCHLUSS FUER VORRATSLEITUNG
ORIFICE POUR CONDUITE AUTOMATIQUE
ORIFIZIO PER LA CONDOTTA AUTOMATICA
- 1-2 RESERVOIR SUPPLY PORT
ANSCHLUSS FUER LUFTBEHAELTER
ORIFICE AU RESERVOIR
ORIFIZIO AL SERBATOIO
- 2 BRAKE CYLINDER PORT
ANSCHLUSS FUER ZYLINDER
ORIFICE AUX CYLINDRES
ORIFIZIO AI CILINDRI
- 3 AIR EXHAUST
ENTLUEFTUNG
ECHAPPEMENT
SCARICO
- 4 PORT FOR SERVICE LINE
ANSCHLUSS FUER BREMSLEITUNG
ORIFICE POUR CONDUITE DIRECTE
ORIFIZIO PER LA CONDOTTA MODERABILE



FURTHER TECHNICAL DATA SEE		L		K		COPYRIGHT	
IDENTIFICATION NO.:	605	SHEET:	TO	DATE:	23-02-94	SIGNATURE:	
GENERAL TOLERANCES				STANDARDIZATION			
RANGE OF NOMINAL DIMENSIONS (± mm)				DATE: 24-02-94			
CLASS	1)	≤50	>50	≤180	>180	≤400	>400
I		0,5	1,0	1,5	2,0		
II		1,0	2,0	3,0	4,0		
III		2,0	3,5	5,0	6,5		
TAPPED HOLES ACC. ISO 4039 / JED-152				DATE: 30-05-94			
1) TOLERANCE CLASS APPLIED CROSSMARKED				DATE: 30-05-94			
97 393 2x C 27-08-97				DATE: 30-05-94			
97 053 8x B 18-03-97				DATE: 30-05-94			
94 116 2x B 30-05-94				DATE: 30-05-94			
DCN-NO. REV. DATE				DATE: 30-05-94			
A 1 210				DATE: 30-05-94			

WABCO

RELAY EMERGENCY VALVE
ANHAENGER-BREMSVENTIL
VALVE RELAIS D'URGENCE
SERVODISTRIBUTORE

PRODUCT IDENTIFICATION NO. 971 002 701 0

CODE FOR DOCUMENT SHEET 605 1/1

REPLACEMENT FOR