

CUSTOMER WEEK No. AND YEAR OF MANUFACTURE SHOWN HERE



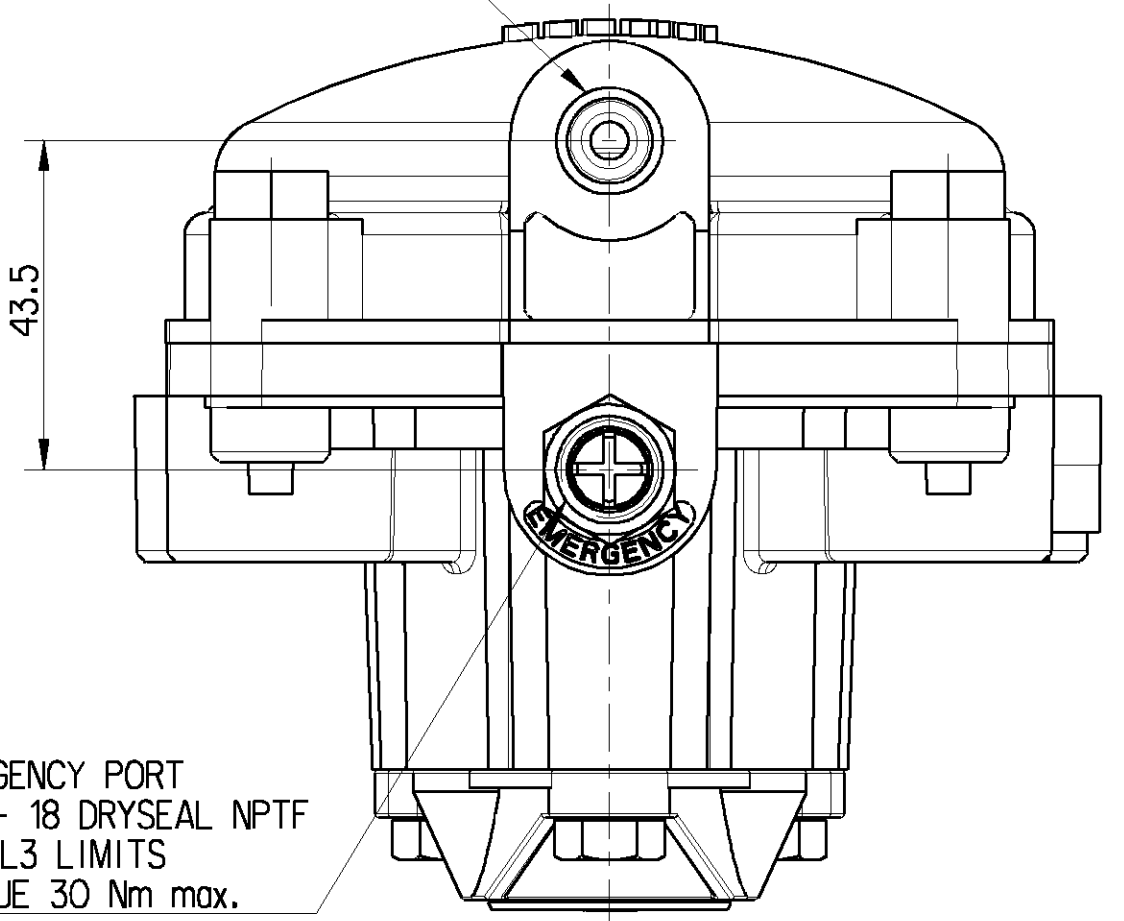
PART No. SHOWN HERE

SERIAL No. SHOWN HERE

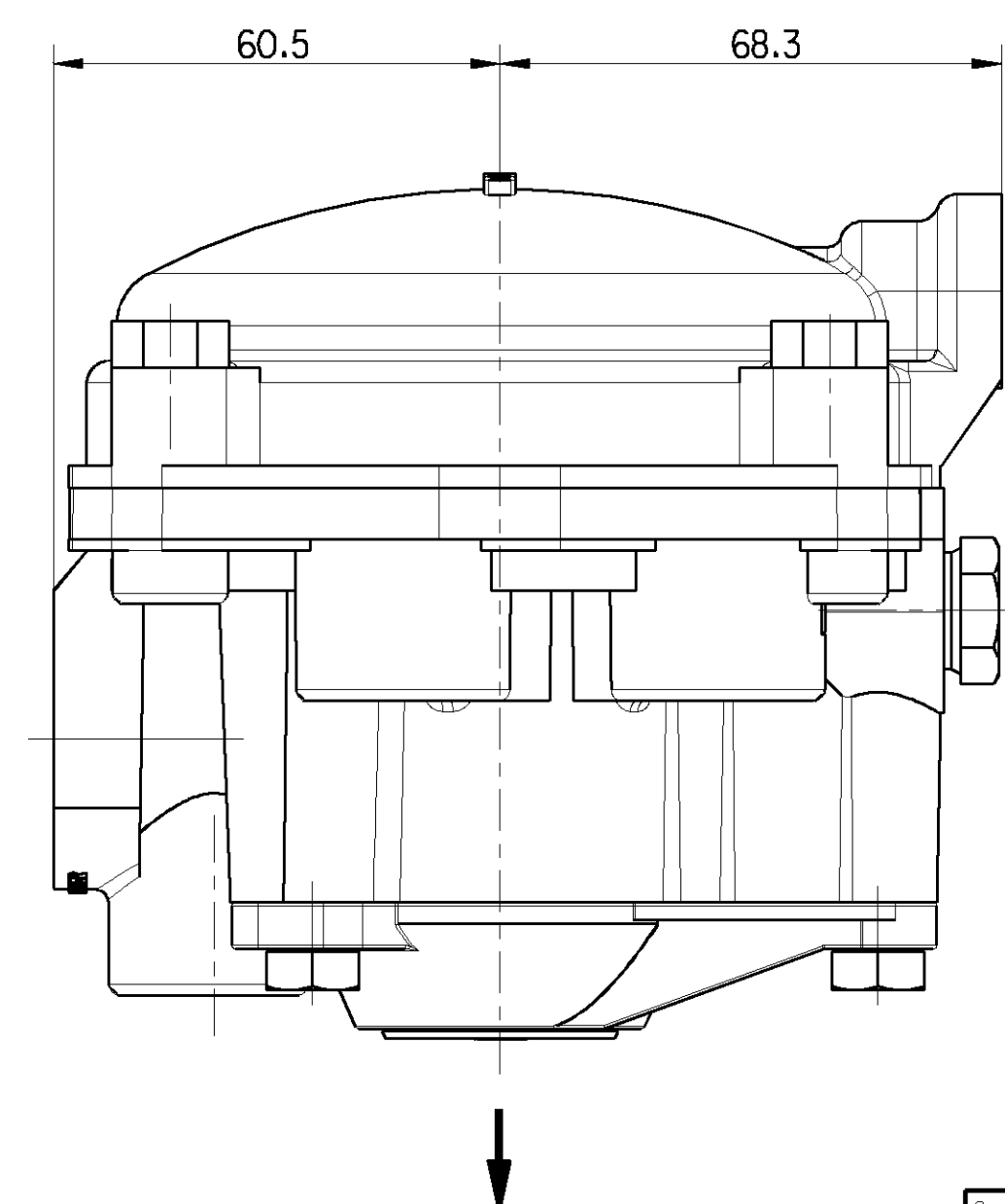
VIEW P

RESERVOIR PORT  
3/8" - 18 DRYSEAL NPTF.  
L1 & L3 LIMITS  
TORQUE 50 Nm max.

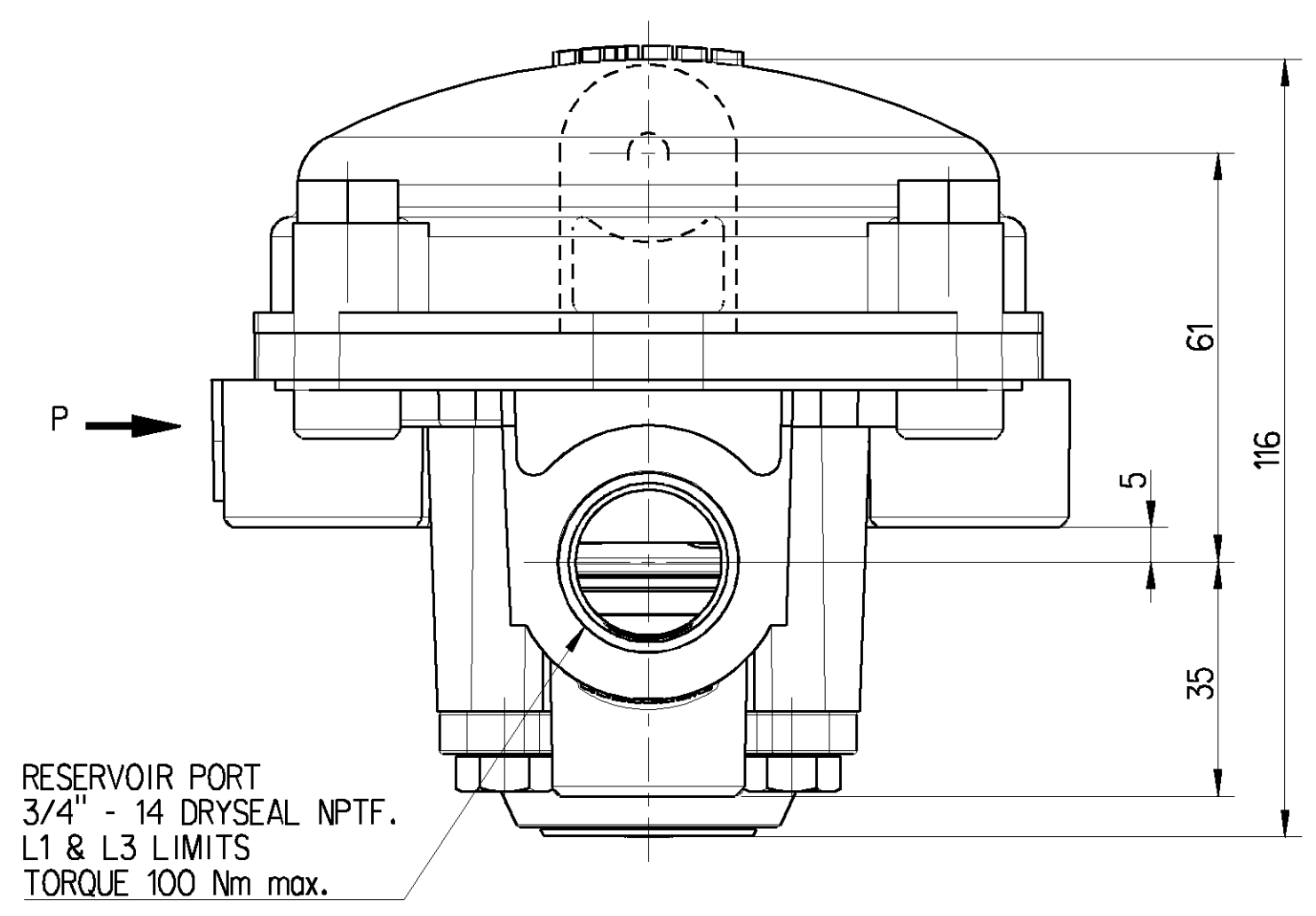
SERVICE PORT  
1/4" - 18 DRYSEAL NPTF  
L1 & L3 LIMITS  
TORQUE 30 Nm max.



EMERGENCY PORT  
1/4" - 18 DRYSEAL NPTF  
L1 & L3 LIMITS  
TORQUE 30 Nm max.



EXHAUST



RESERVOIR PORT  
3/4" - 14 DRYSEAL NPTF.  
L1 & L3 LIMITS  
TORQUE 100 Nm max.

TECHNICAL DATA:  
WORKING MEDIUM : AIR  
THERMAL RANGE OF APPLICATION : -40°C TO +80°C  
MAX WORKING PRESSURE : 9.4 bar.  
OPEN PORTS ARE FITTED WITH CLOSURE PLUGS FOR STORAGE AND TRANSIT PURPOSES.

General Specification: JED-334-0		Copyright WABCO®	
Further Technical Data: 971 005 000 0		Date	Signature
Doc. Code: 035	Sheet: 1 To 6	2012-05-28	Bharathiraja
General Tolerances JED-261		Checked	Sathesh
Range of Nominal Dimensions (± mm)		Expert	
Class 1)	≤ 50 > 50 ≤ 180 > 180 ≤ 400 > 400	Kaufmann	
Fine	0.5 1.0 1.5 2.0	Mass	Scale
Medium	1.0 2.0 3.0 4.0	1.7 kg	1:1
Coarse	2.0 3.5 5.0 6.5	Size	CAD System
Tapped Holes acc. -		Material No.	
1) Tolerance Class Applied Crossmarked		971 005 002 0	
		ECN-No.	Revision
		158618	4 B
		Techn. Resp.	Replacement for
		5250_WIN	M302614

<b>WABCO</b>		
RELAY EMERGENCY VALVE - RE		
Date of first issue:	Doc. Code	Language
	005	EN
Sheet	1/1	
100mm		

Non e' permesso copiare, o terzi, o riprodurre questo documento, ne utilizzare il contenuto, o renderlo comunque noto a terzi senza autorizzazione esplicita. Ogni infrazione costituisce un evidente abuso e comportera il risarcimento dei danni subiti. E' fatta riserva di tutti i diritti davanti da brevetti o modelli.

Toute communication ou reproduction de ce document, faite exécution ou communication de son contenu sans autorisation, sans autorisation expresse. Tout non respect de cette règle constitue un abus évident et expose son auteur au versement de dommages et intérêts. Tous droits de propriété industrielle réservés, notamment en matière de brevets et de modèles.

Wabco e' un marchio registrato di Wabco Corporation. Wabco e' un marchio registrato di Wabco Corporation. Wabco e' un marchio registrato di Wabco Corporation. Wabco e' un marchio registrato di Wabco Corporation. Wabco e' un marchio registrato di Wabco Corporation.