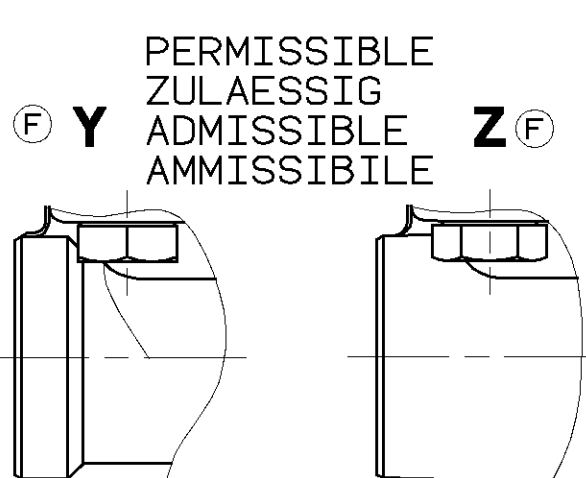
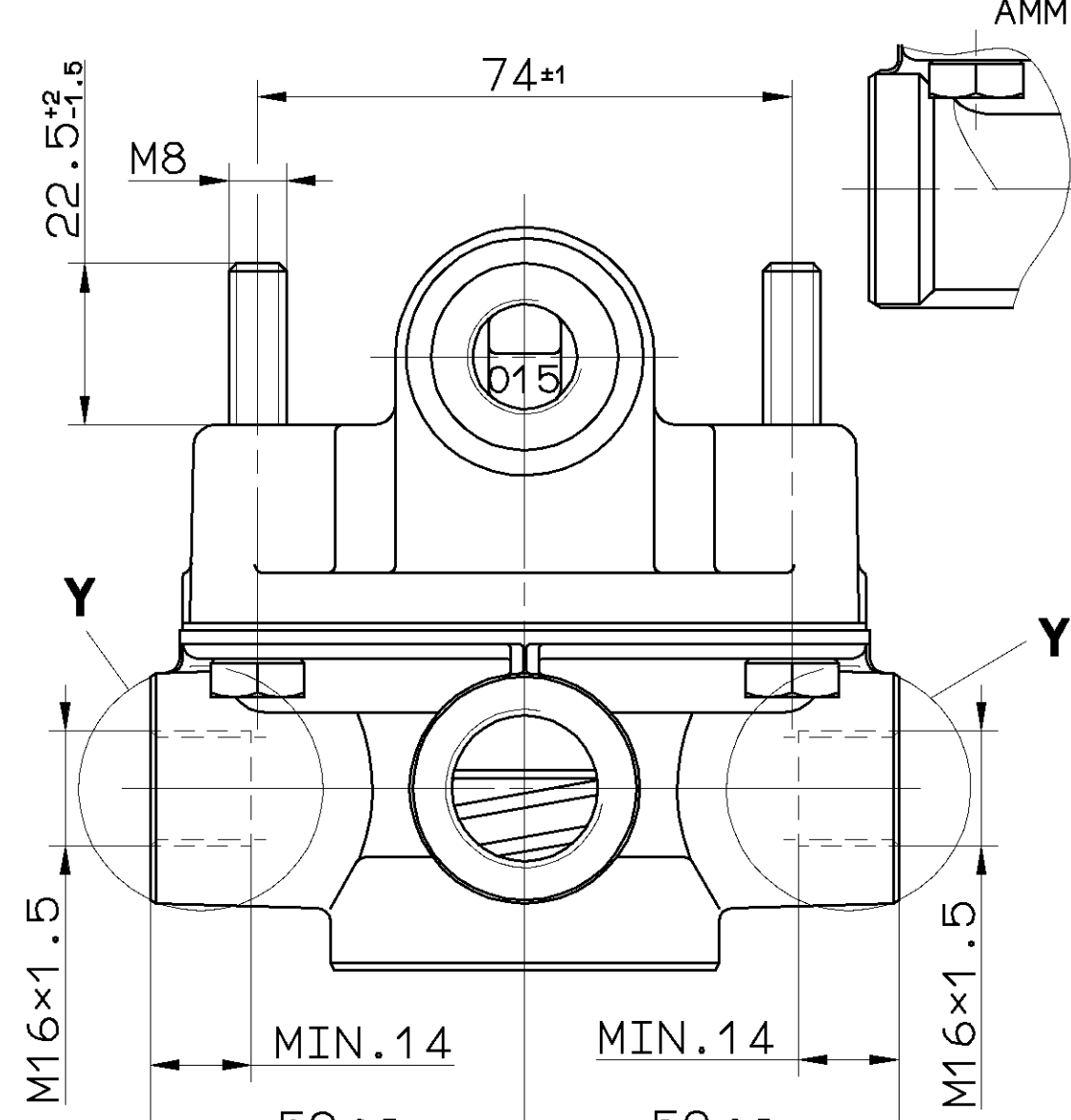
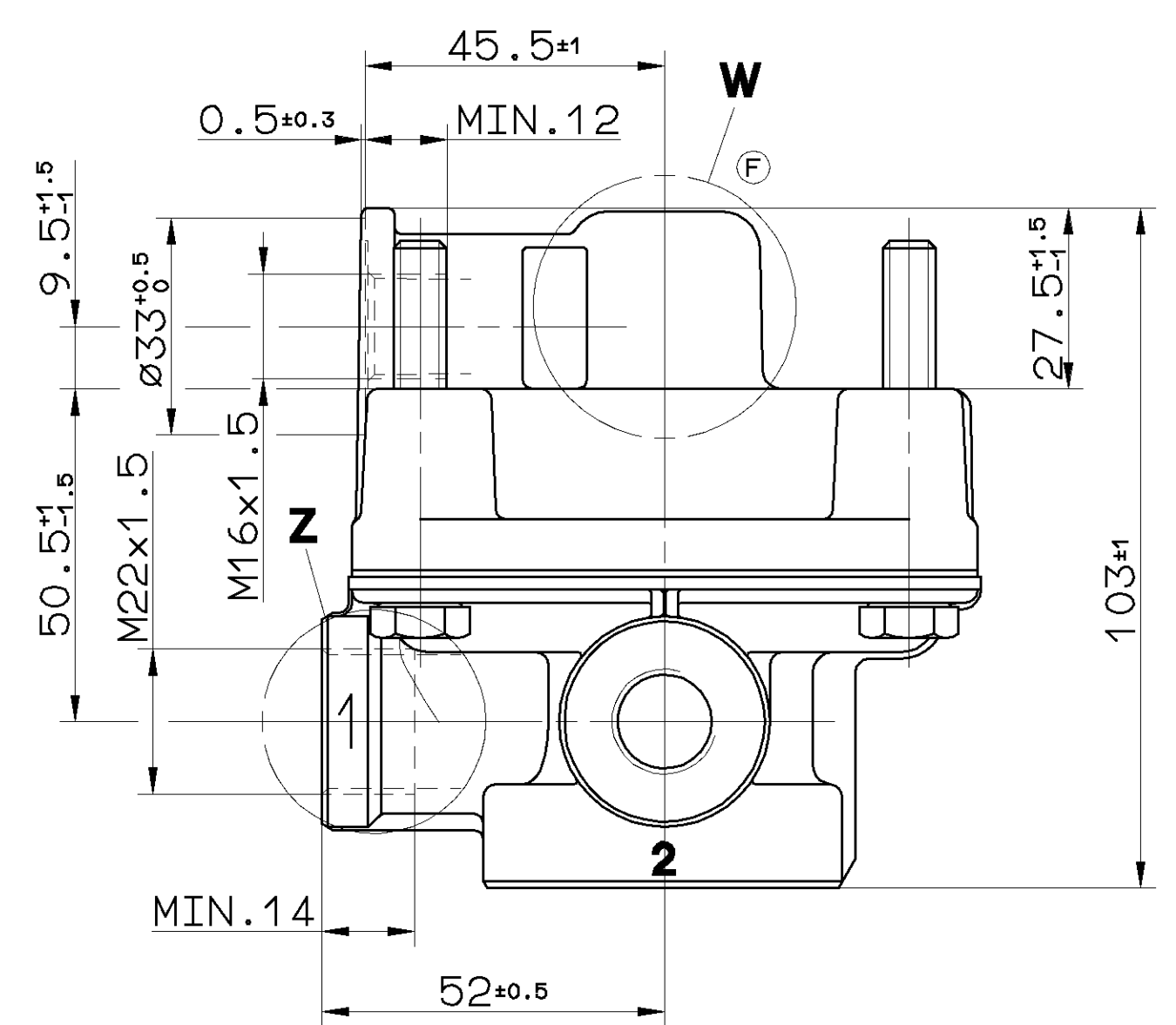
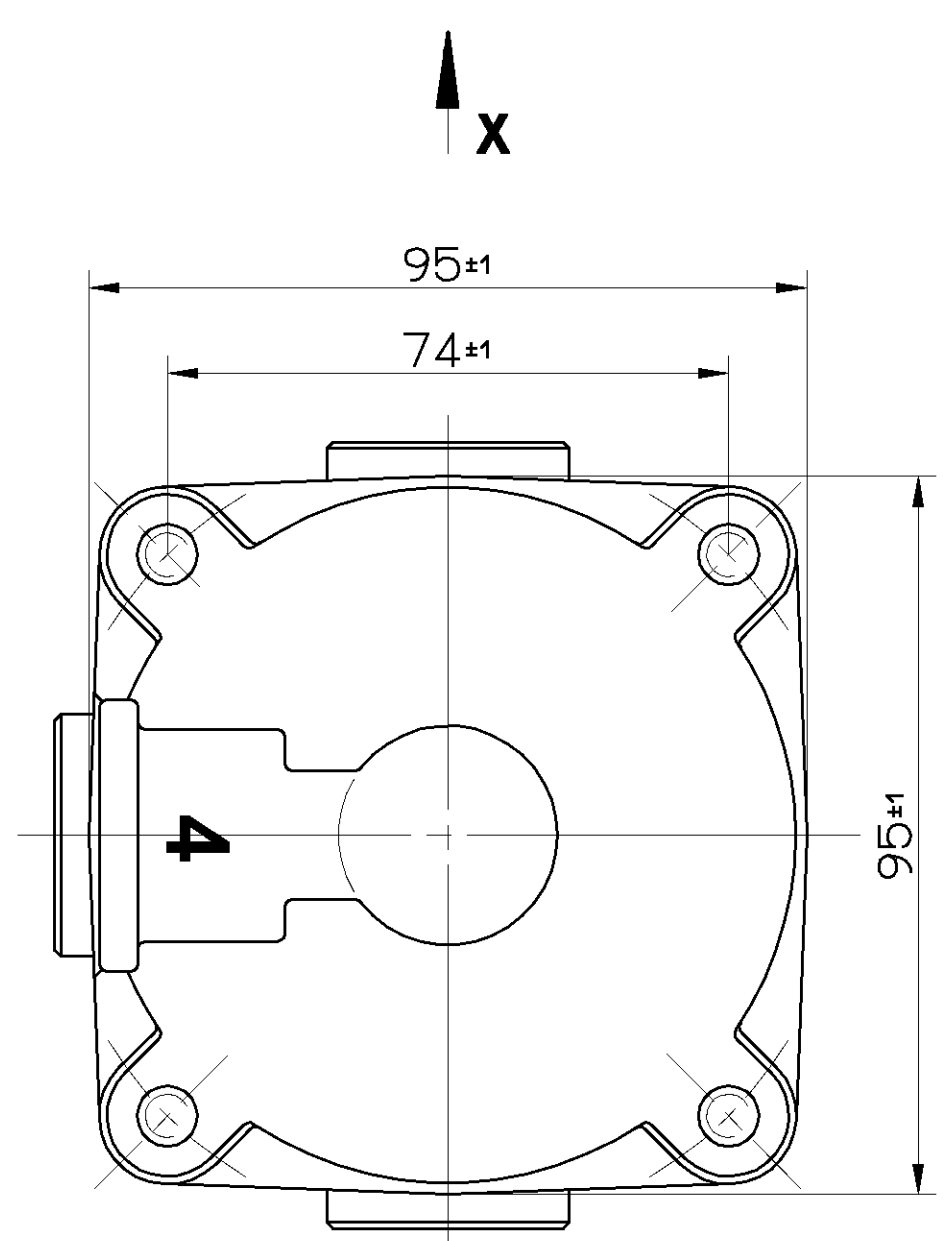
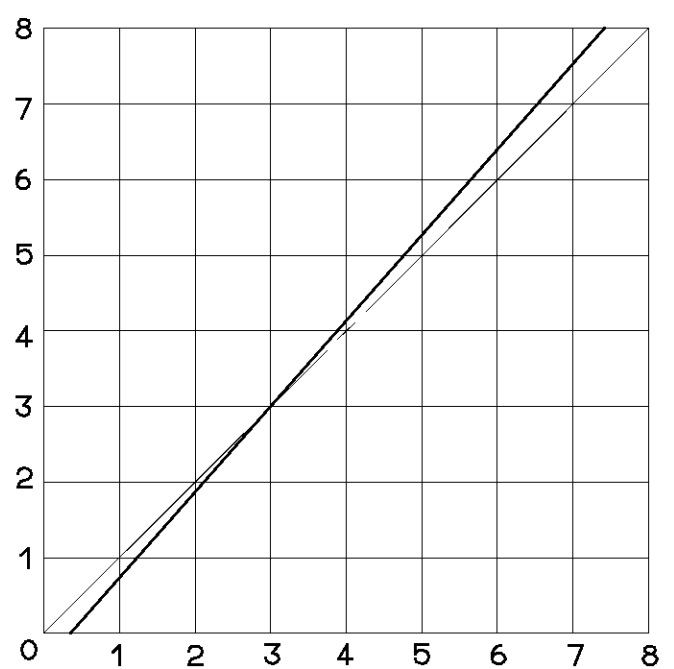


NON È PERMESSO CONSERVARE A TERZI O RIPRODURRE QUESTO DOCUMENTO. NE UTILIZZARE IL CONTENUTO O RES-
 ARSIO E CONSERVARE IL RESAUMENTO DEL DANNO SUBITO. È FATTA RISERVA DA TUTTI I DIRITTI DERIVANTI DA
 BREVETTI O MODELLI.
 COPIING OF THIS DOCUMENT AND GIVING IT TO OTHERS AND THE USE OF COMMUNICATION OF THE CONTENTS THEREOF,
 WITHOUT THE WRITTEN PERMISSION OF WABCO, IS PROHIBITED. ALL RIGHTS ARE RESERVED IN THE EVENT OF THE
 MISBRACH OR THE REPRODUCTION OF THIS DOCUMENT. THIS DOCUMENT IS THE SUBJECT OF COPYRIGHT.
 GRANT OF PATENT OR REGISTRATION OF A UTILITY MODEL OR DESIGN.
 NI JE PERMISSO CONSERVARE A TERZI O RIPRODURRE QUESTO DOCUMENTO. NE UTILIZZARE IL CONTENUTO O RES-
 ARSIO E CONSERVARE IL RESAUMENTO DEL DANNO SUBITO. È FATTA RISERVA DA TUTTI I DIRITTI DERIVANTI DA
 BREVETTI O MODELLI.
 COPIING OF THIS DOCUMENT AND GIVING IT TO OTHERS AND THE USE OF COMMUNICATION OF THE CONTENTS THEREOF,
 WITHOUT THE WRITTEN PERMISSION OF WABCO, IS PROHIBITED. ALL RIGHTS ARE RESERVED IN THE EVENT OF THE
 MISBRACH OR THE REPRODUCTION OF THIS DOCUMENT. THIS DOCUMENT IS THE SUBJECT OF COPYRIGHT.
 GRANT OF PATENT OR REGISTRATION OF A UTILITY MODEL OR DESIGN.

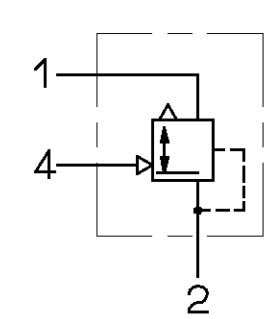


PERMISSIBLE ZULAESSIG ADMISSIBLE AMMISSIBILE
 DELIVERY PRESSURE AUSGESTEUERTER DRUCK PRESSION DELIVREE PRESSIONE EROGATA
 p_2 [bar]

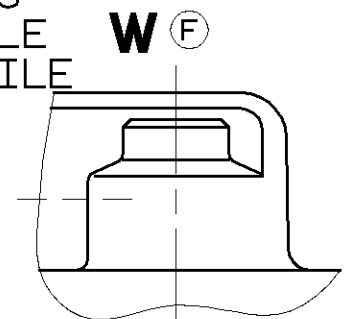


- 1 SUPPLY VORRAT ALIMENTATION ALIMENTAZIONE
- 2 DELIVERY PRESSURE AUSGESTEUERTER DRUCK PRESSION DELIVREE PRESSIONE EROGATA
- 3 EXHAUST ENTLUEFTUNG ECHAPPEMENT SCARICO
- 4 CONTROL PRESSURE STEUERDRUCK PRESSION DE COMMANDE PRESSIONE DI COMANDO

EXHAUST ENTLUEFTUNG ECHAPPEMENT SCARICO



PERMISSIBLE ZULAESSIG ADMISSIBLE AMMISSIBILE
 W



TORQUE FOR CONNECTIONS:
 ANZUGSMOMENT FUER EINSCHRAUBSTUTZEN: M16x1.5: $M_{max.} = 34$ Nm
 COUPLE DE SERRAGE DES RACCORDS: M22x1.5: $M_{max.} = 53$ Nm
 COPPIA DI SERRAGGIO DEI RACCORDI:

GENERAL SPECIFICATION: JED-334		CADAM-DRAWING COPYRIGHT		WABCO	
FURTHER TECHNICAL DATA:		DATE: _____ SIGNATURE: _____		RELAY VALVE RELAISVENTIL VALVE RELAIS VALVOLA RELE	
DOC. CODE: _____ SHEET: _____ TO: _____		DRAWN: 94-11-02 MAURER		DOC. CODE: 605 SHEET: 1/1	
GENERAL TOLERANCES		CHECKED: 94-11-02 DREYER		REPLACEMENT FOR: 973 001 020 0 OF 80-03-14	
RANGE OF NOMINAL DIMENSIONS (± mm)		STANDARDIZATION:		PRODUCT IDENTIFICATION NO. 973 001 020 0	
CLASS 1)	≤50 >50 ≤180 >180 ≤400 >400			MASS: _____ SCALE: 1:1	
FINE	0,5 1,0 1,5 2,0			KG: _____	
MEDIUM	1,0 2,0 3,0 4,0			SIZE: _____ T.R.I.: _____	
COARSE	2,0 3,5 5,0 6,5			A 2 140	
TAPPED HOLES ACC. ISO 4039 / JED-182		055681 4xF 94-11-02		SHAPE CODE: _____	
1) TOLERANCE CLASS APPLIED CROSSMARKED		DCN-NO. REV. DATE		REPLACEMENT FOR: 973 001 020 0 OF 80-03-14	
				EXPERT CODE: 906	

1809/012/204_93 605/603