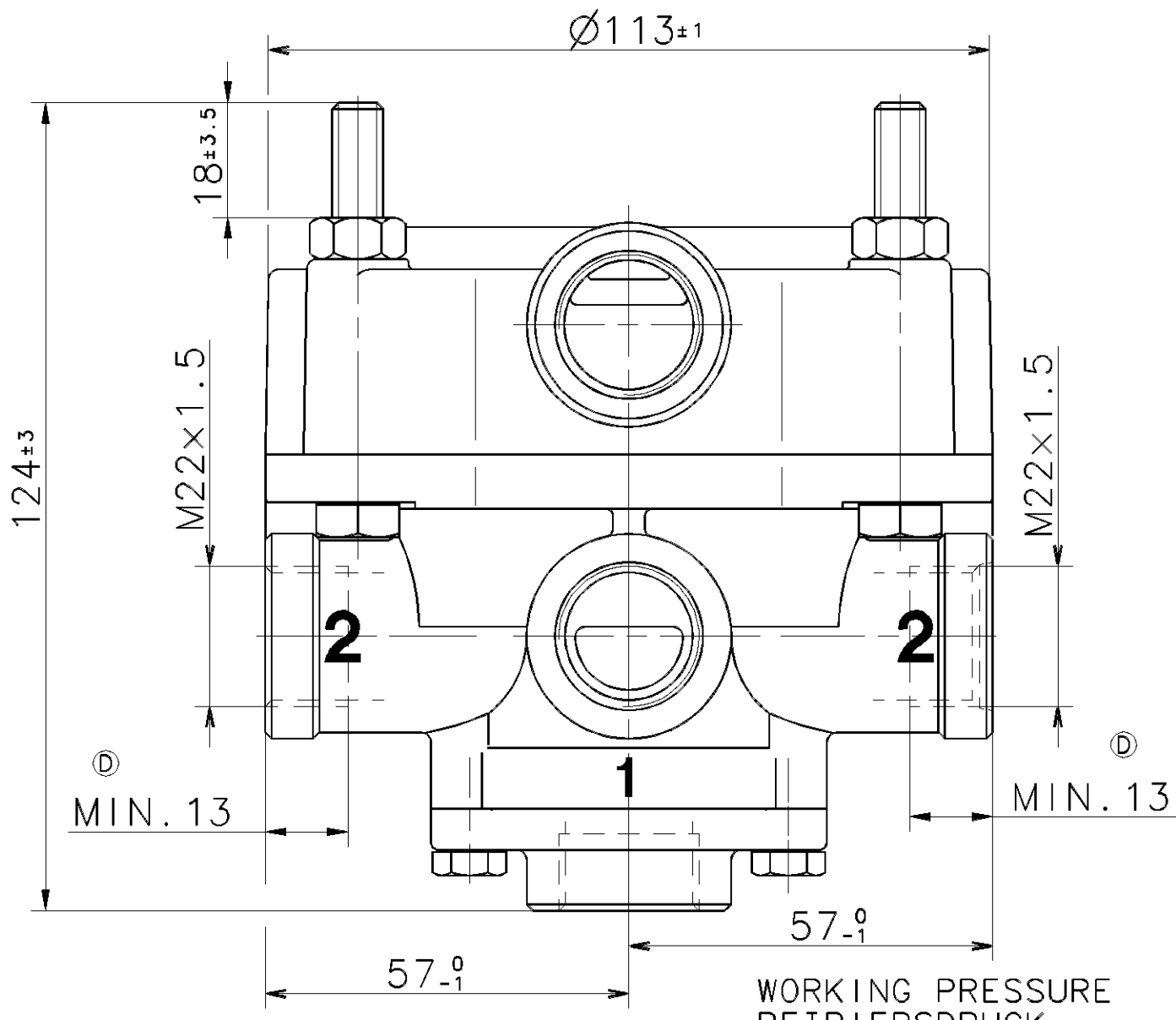
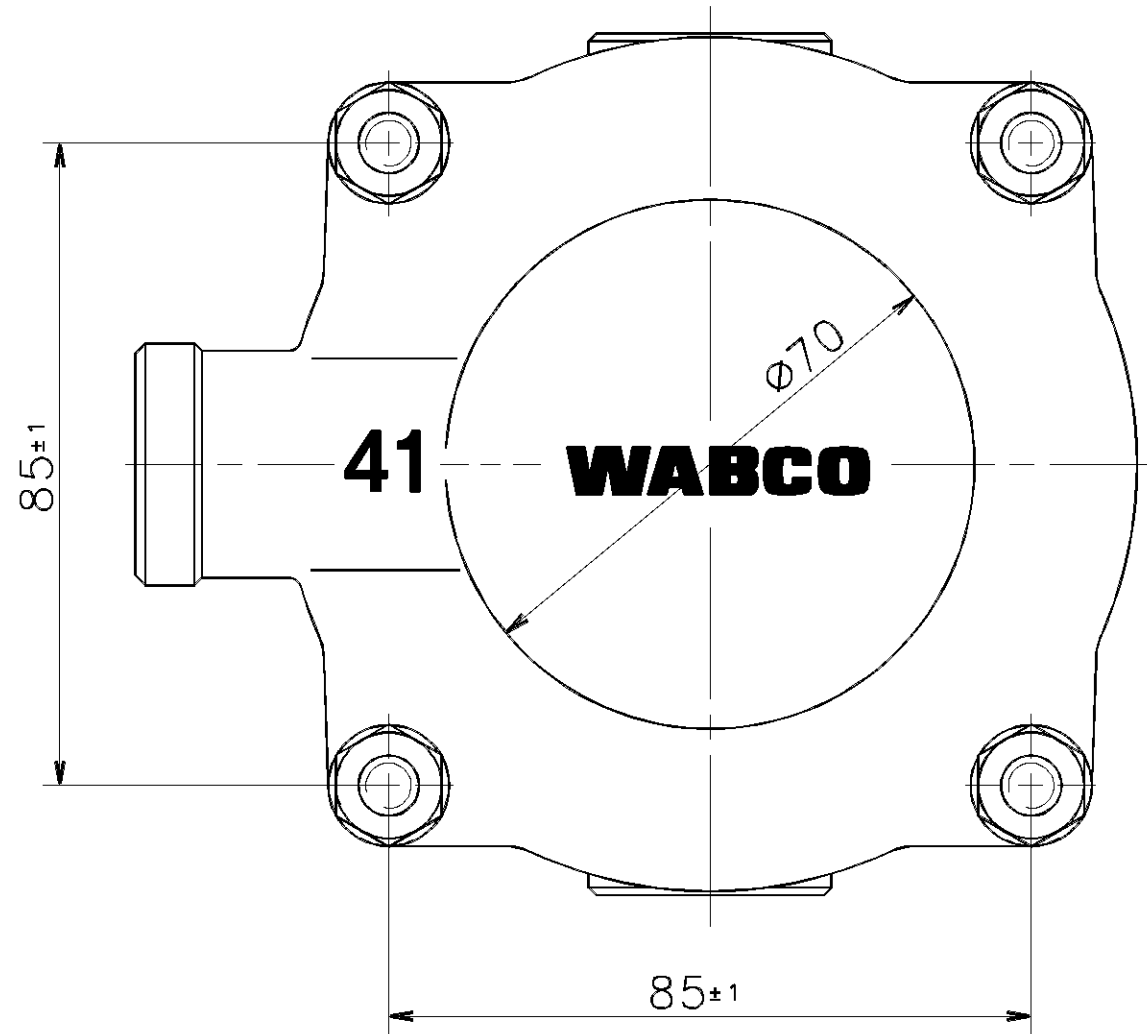
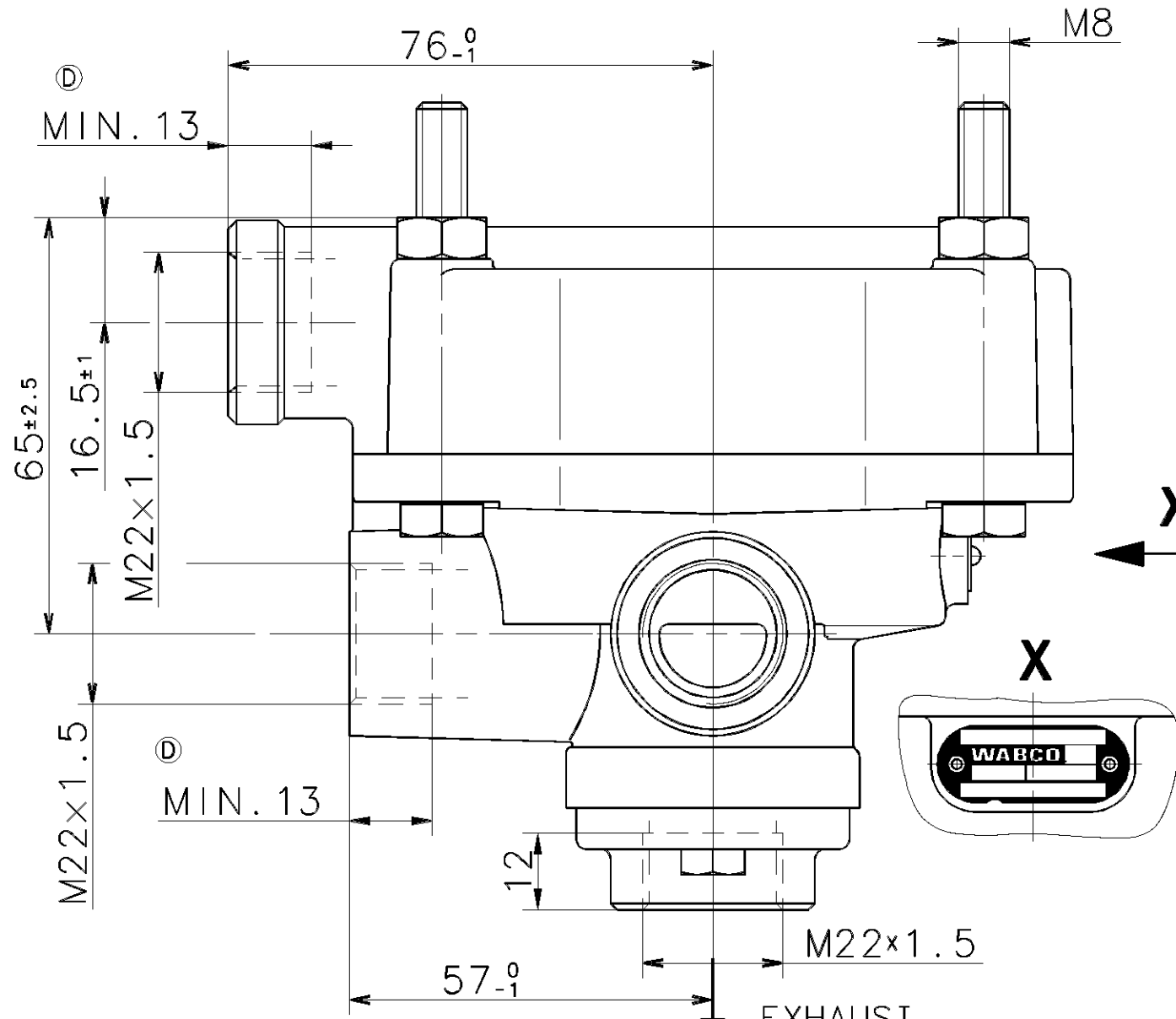
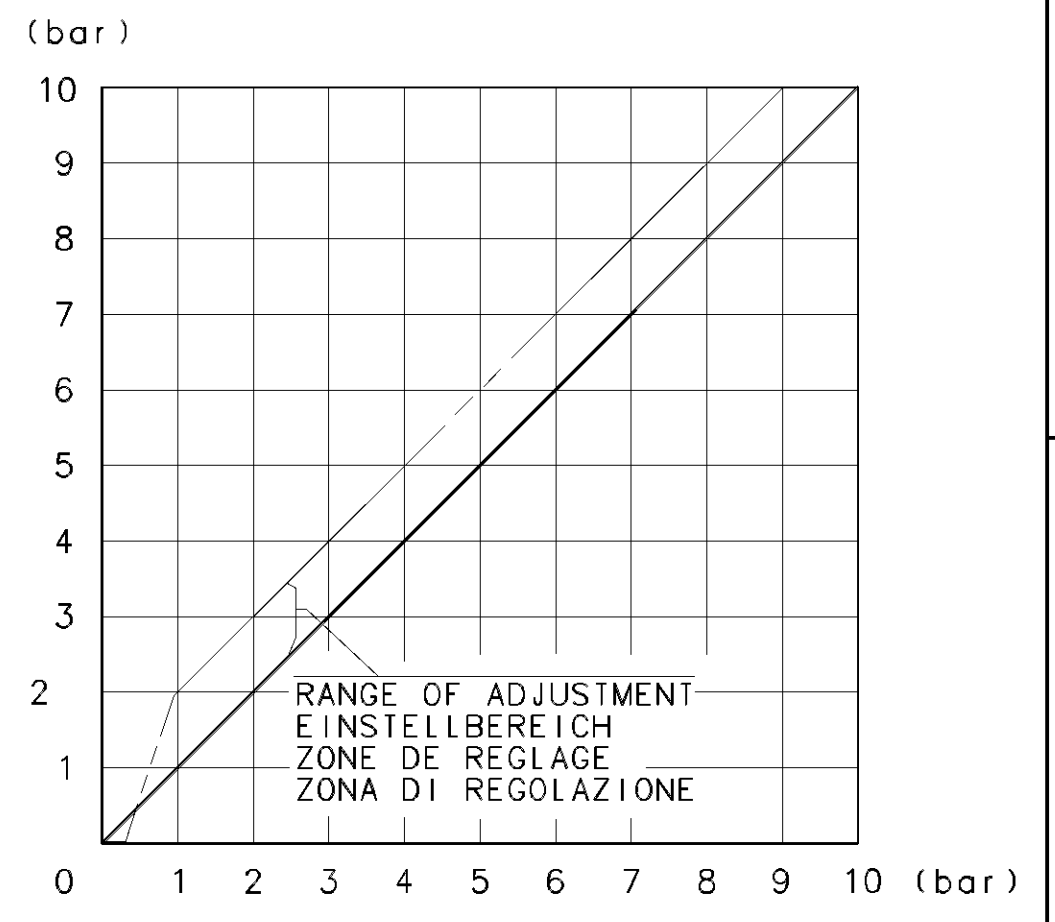


NON È PERMESSO CONCESSIONE A TERZI O RIPRODURRE QUESTO DOCUMENTO. NE UTILIZZARNE IL CONTENUTO O RENDERSI RESPONSABILI PER QUALSIASI DANNI SUBITI. È FATTA RISERVA DI TUTTI I DIRITTI DERIVANTI DA BREVETTI O MODELLI.
 COPIING OF THIS DOCUMENT AND CREATING IT TO OTHERS AND THE USE OF COMMUNICATION OF THE CONTENTS THEREOF, WITHOUT THE WRITTEN PERMISSION OF WABCO, IS PROHIBITED. ALL RIGHTS ARE RESERVED IN THE EVENT OF THE ABUSE AND RESULT IN A LIABILITY TO THE PAYMENT OF DAMAGES. A GRANT OF PATENT OR REGISTRATION OF A UTILITY MODEL OR DESIGN, THIS DOCUMENT IS THE SUBJECT OF COPYRIGHT.
 TOUVE COMMUNICATION OU REPRODUCTION DE CE DOCUMENT, TOUTE EXPLOITATION OU COMMUNICATION DE SON CONTENU, SANS LA PERMISSION ÉCRITE DE WABCO, EST INTERDITE. TOUS DROITS DE PROPRIÉTÉ INDUSTRIELLE RÉSERVÉS. NOTAMMENT EN MATIÈRE DE BREVETS ET DE MODÈLES.
 WELLEGABE SOMME VERVIELFÄLTIGUNG DIESER UNTERLAGE, WERBUNG UND MITTEILUNG IHRES INHALTS NICHT OHNE SCHRIFTLICHE ZULASSUNG VON WABCO. ALLE RECHTE WERDEN FÜR DEN FALL DER PATENTIERUNG ODER GEBRAUCHSMUSTER-EINTRAGUNG VORBEHALTEN.



OUTLET PRESSURE
 AUSGESTEUERTER DRUCK
 PRESSIONE DI SORTIE
 pe2
 PRESSIONE DI USCITA

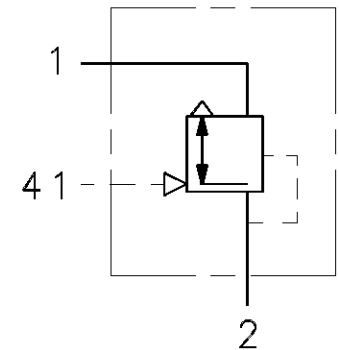


INLET PRESSURE
 EINGESTEUERTER DRUCK
 PRESSION D'ALIMENTATION
 pe41
 PRESSIONE DI ALIMENTAZIONE

- 1 SUPPLY VORRAT ALIMENTATION (pe 1) ALIMENTAZIONE
- 2 OUTLET PRESSURE AUSGESTEUERTER DRUCK (pe 2) PRESSIONE DI SORTIE PRESSIONE EROGATA
- 4 1 CONTROL PRESSURE STEUERDRUCK (pe 41) PRESSIONE DI COMANDO

- WORKING PRESSURE : *pe1=10 bar ; **pe1=12,5 bar
- BETRIEBSDRUCK : *pe1=10 bar ; **pe1=12,5 bar
- PRESSION DE SERVICE : pe41=10 bar
- PRESSIONE DI SERVIZIO : pe41=10 bar
- PERMISSIBLE PRESSURE : pe1 =MAX. 14 bar TEMPORARILY
- ZULAESSIGER DRUCK : pe1 =MAX. 14 bar KURZZEITIG
- PRESSION ADMISSIBLE : pe41=MAX. 12 bar DE COURTE DUREE
- PRESSIONE AMMISSIBILE : pe41=MAX. 12 bar BREVE TEMPO SOLO
- THERMAL RANGE OF APPLICATION: THERMISCHER ANWENDUNGSBEREICH: -40°C...+80°C
- APPLICATION THERMIQUE: CAMPO DI APPLICAZIONE TERMICA: -40°C...+80°C
- THERMAL RANGE OF APPLICATION: THERMISCHER ANWENDUNGSBEREICH: -30°C...+80°C
- APPLICATION THERMIQUE: CAMPO DI APPLICAZIONE TERMICA: -30°C...+80°C

MEDIUM: AIR
 MEDIUM: LUFT
 FLUIDE: AIR
 FLUIDO: ARIA



INSTALLATION POSITION: EXHAUST SHOWN AT BASE (AXIS CENTRE OF THE DEVICE DEVIATES MAX 90° FROM VERTICAL)
 EINBAULAGE: ENTLUEFTUNG NACH UNTEN (MITTELACHSE DES GERÄTES MAX 90° VON DER SENKRECHTEN ABWEICHEND)
 POSITION D'INSTALLATION: ECHAPPEMENT VERS LE BAS (ÉCART DE L'AXE MÉDIAN DE L'APPAREIL PAR RAPPORT À LA VERTICALE: 90° MAX.)
 POSIZIONE DI MONTAGGIO: SCARICO VERSO IL BASSO (DEVIAZIONE ASSE APPARECCHIO RISPETTO ALLA VERTICALE: MAX.90°)

GENERAL SPECIFICATION: JED-334		CADAM-DRAWING COPYRIGHT		WABCO	
FURTHER TECHNICAL DATA:		DATE: 00-04-19		SIGNATURE: MEINKING	
DOC. CODE: SHEET: TO		DRAWN: 00-04-19		CHECKED: 00-04-19	
GENERAL TOLERANCES		STANDARDIZATION:		PRODUCT IDENTIFICATION NO. 973 003 002 0	
CLASS 1)	RANGE OF NOMINAL DIMENSIONS (± mm)	083220	4xD	02-04-22	DOC. CODE SHEET
FINE	≤50 >50 ≤180 >180 ≤400 >400	069798	1xC	00-08-09	605 1/1
MEDIUM	± 3'	059697	1xB	00-04-19	REPLACEMENT FOR 973 003 002 0 OF 86-09-25
COARSE		TAPPED HOLES ACC. ISO 4039 / JED-152		SHAPE CODE	
		1) TOLERANCE CLASS APPLIED CROSSMARKED		REVISIONS	
		DCN-NO.	REV.	DATE	EXPERT CODE 2 2 2

1009/012/3/04-93 605 653