

NON È PERMESSO CONCESSIONE A TERZI O RIPRODURRE QUESTO DOCUMENTO. NE UTILIZZARNE IL CONTENUTO O RENDERSI RESPONSABILI PER QUALSIASI DANNI, PERDITE O GUASTI. È FATTA RISERVA DI TUTTI I DIRITTI DERIVANTI DA BREVETTI O MODELLI. COPIING OF THIS DOCUMENT AND CIRCULATING IT TO OTHERS AND THE USE OF COMMUNICATION OF THE CONTENTS THEREOF, WITHOUT THE WRITTEN PERMISSION OF WABCO, IS PROHIBITED. ALL RIGHTS ARE RESERVED IN THE EVENT OF THE GRANT OF PATENT OR REGISTRATION OF A UTILITY MODEL OR DESIGN. THIS DOCUMENT IS THE SUBJECT OF COPYRIGHT.

DESIGN PERMISSIBLE
 AUSFUEHRUNG ZULAESSIG
 REALISATION ADMISE
 DISEGNO AMMISSIBILE

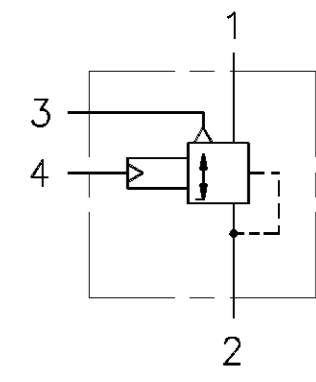
MEDIUM: AIR
 MEDIUM: LUFT
 FLUIDE: AIR
 FLUIDO: ARIA

WORKING PRESSURE:
 BETRIEBSDRUCK: MAX. p_e = 10bar
 PRESSION DE SERVICE:
 PRESSIONE D'ESERCIZIO:

TEMPORARILY:
 KURZZEITIG: MAX. p_e = 13bar
 DE COURTE DUREE:
 BREVE TEMPO SOLO:

SUPPLY PRESSURE:
 VORRATSDRUCK: MAX. p_e = 13bar
 PRESSION D'ALIMENTATION:
 PRESSIONE DI ALIMENTAZIONE:

PERMISSIBLE INSTALLATION
 ZULAESSIGE EINBAULAGE ±90°
 POSITION D'INSTALLATION ADMISE
 POSIZIONE DI MONTAGGIO AMMESSA



- 1 SUPPLY VORRAT ALIMENTATION ALIMENTAZIONE
- 2 DELIVERY PRESSURE AUSGESTEUERTER DRUCK PRESSION DELIVREE PRESSIONE EROGATA
- 3 EXHAUST ENTLUEFTUNG ECHAPPEMENT SCARICO
- 4 CONTROL PRESSURE STEUERDRUCK PRESSION DE COMMANDE PRESSIONE DI COMANDO

ACCORDING TO JED-388
 ENTSPRECHEND JED-388
 * CONFORME A JED-388
 CONFORME A JED-388

TORQUE FOR CONNECTIONS:
 ANZUGSMOMENT FUER EINSCHRAUBSTUTZEN: M16x1.5: M_{max} = 34 Nm
 COUPLE DE SERRAGE DES RACCORDS: M22x1.5: M_{max} = 53 Nm
 COPPIA DI SERRAGGIO DEI RACCORDI:

MATERIAL AND SURFACE PROTECTION	
I	Al JED-029 M1/C JED-259
II	POM JED-005 M1
III	Fe JED-051 M4/Zn/C JED-256
IV	NBR JED-235

THERMAL RANGE OF APPLICATION:
 THERMISCHER ANWENDUNGSBEREICH: -40°...+80° C
 GAMME D'APPLICATION THERMIQUE:
 CAMPO DI APPLICAZIONE TERMICA:

GENERAL SPECIFICATION: JED-334		CADAM-DRAWING COPYRIGHT		WABCO	
FURTHER TECHNICAL DATA:		DATE: 89-06-19		SIGNATURE: BRINK/MENZE	
DOC. CODE: SHEET: TO		DRAWN: 89-06-22		CHECKED: KIEL/DEIKE	
GENERAL TOLERANCES		STANDARDIZATION: 89-06-26		PANTZER	
RANGE OF NOMINAL DIMENSIONS (± mm)		MASS: 0.62 kg		SCALE: 1:1 (2:1)	
CLASS 1)	≤50 >50 ≤180 >180 ≤400 >400	PRODUCT IDENTIFICATION NO. 973 011 001 0		DOC. CODE: 605	
FINE	0,5 1,0 1,5 2,0	REPLACEMENT FOR		SHEET: 1/1	
MEDIUM X	1,0 2,0 3,0 4,0 ± 3'	SHAPE CODE: 522		REPLACEMENT FOR	
COARSE	2,0 3,5 5,0 6,5	EXPERT CODE: 744		PRODUCT TYPE: 02X	
TAPPED HOLES ACC. ISO 4030 / JED-162 JED-388		DCN-NO. REV. DATE		053547 2xA 93-10-22	
1) TOLERANCE CLASS APPLIED CROSSMARKED		DATE		99-11-17	
		REV.		95-02-28	
		DATE		94-03-15	