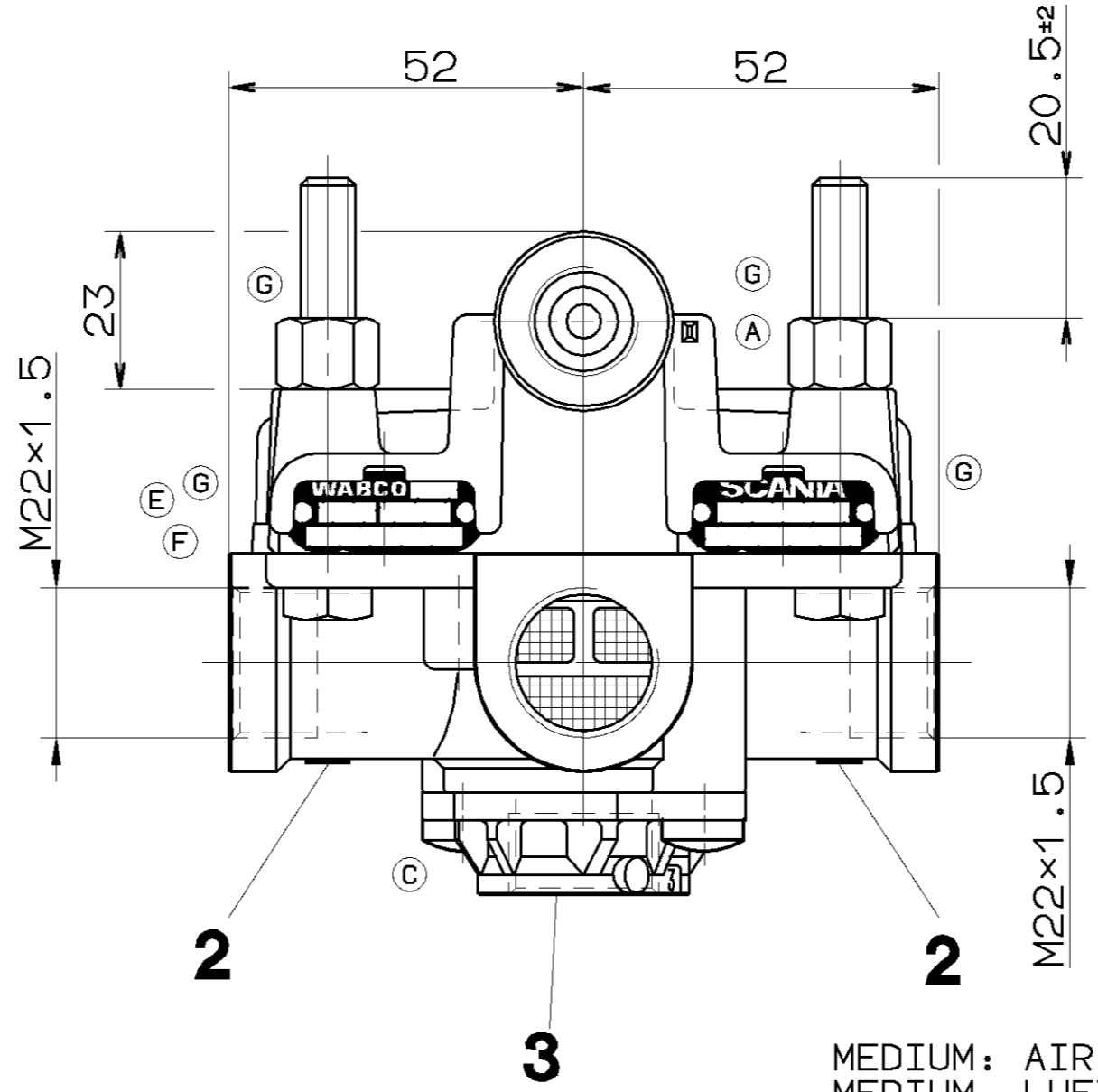
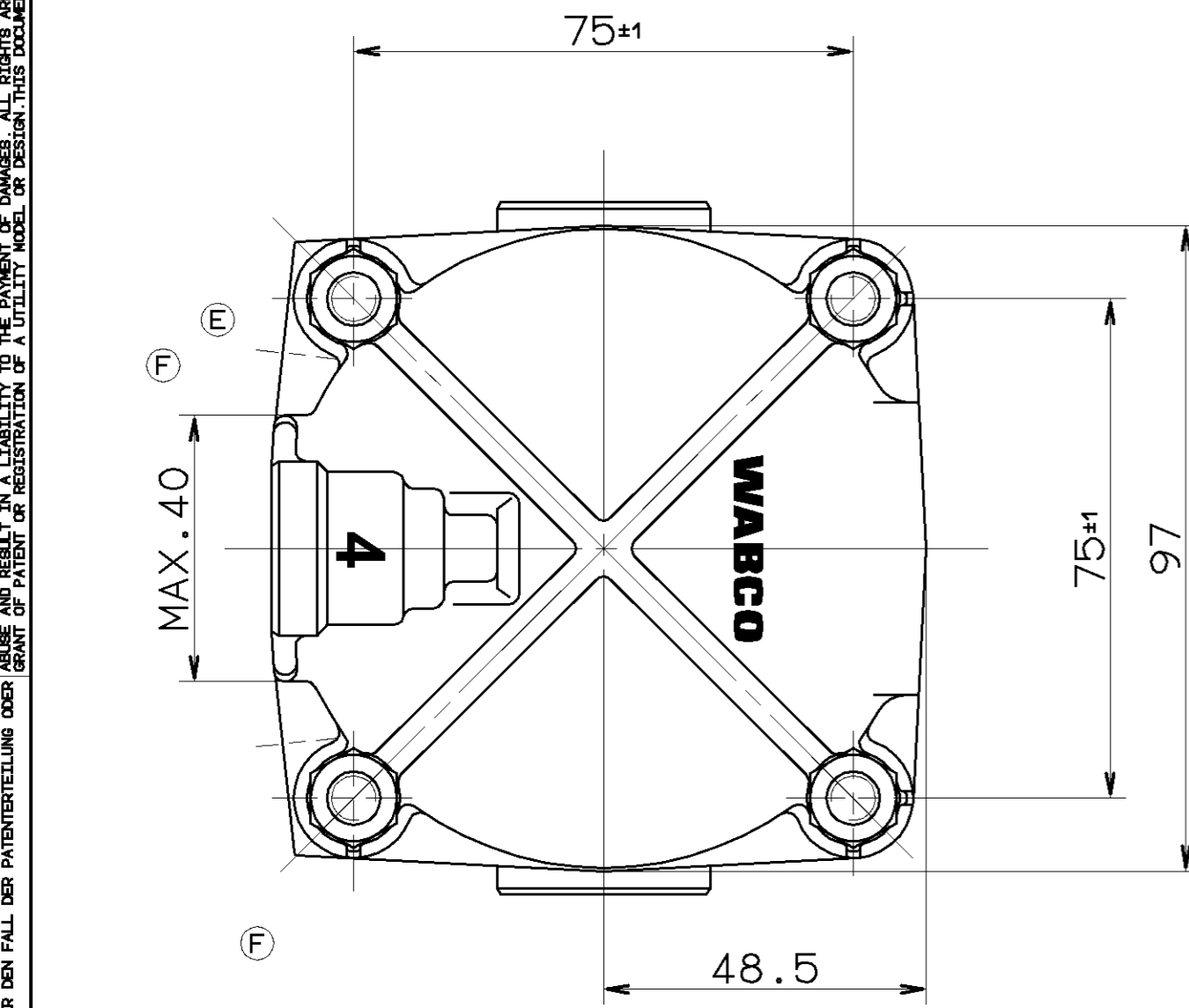
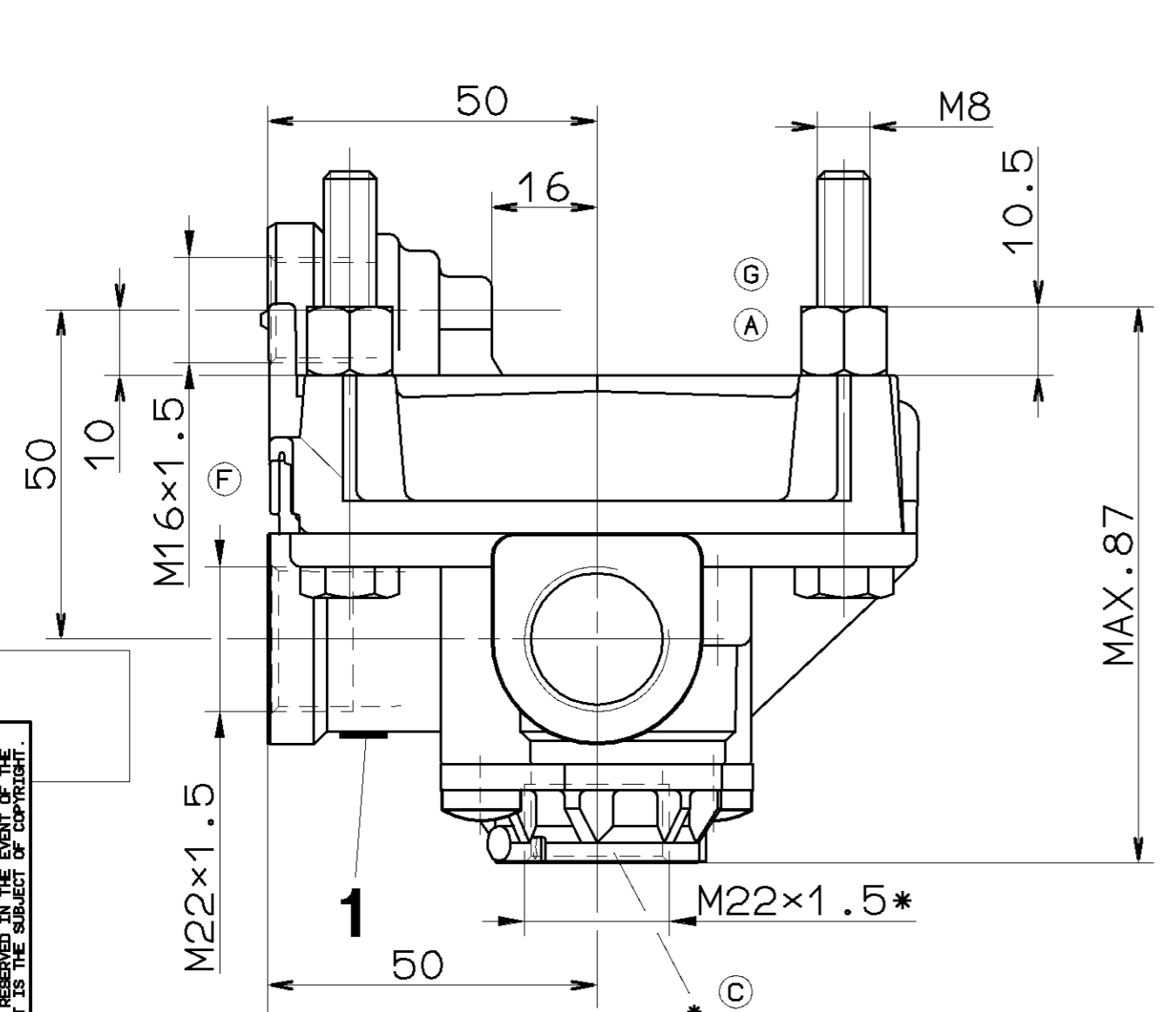
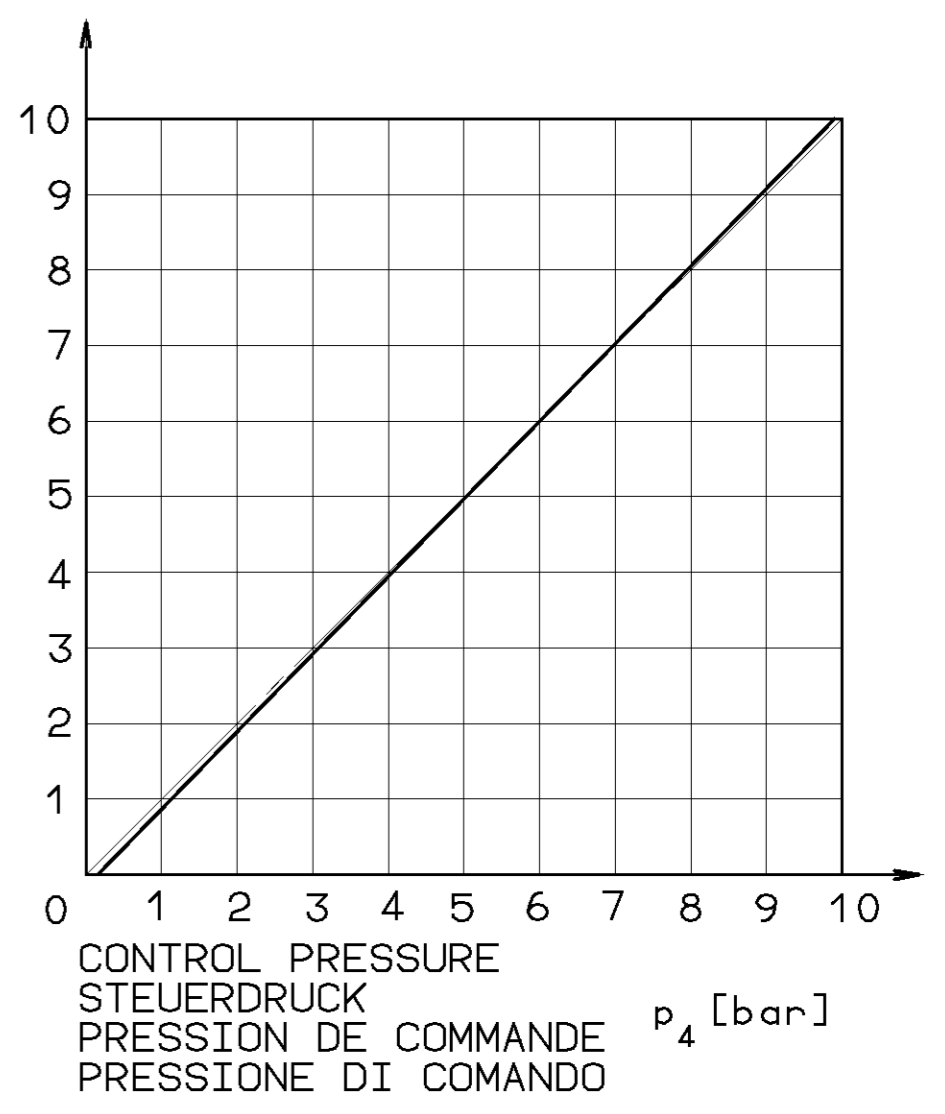


NON È PERMESSO CONSERVARE A TERZI O RIPRODURRE QUESTO DOCUMENTO. NE UTILIZZARE IL CONTENUTO O RES-
 ARIARE E COMMERCIALIZZARE IL RENDIMENTO DEL DANNO SUBITO. È FATTA RISERVA DA TUTTI I DIRITTI DERIVANTI DA
 BREVETTI O MODELLI.
 COPIING OF THIS DOCUMENT AND GIVING IT TO OTHERS AND THE USE OF COMMUNICATION OF THE CONTENTS THEREOF,
 REPRODUCTION OR COMMERCIALIZATION OF THE CONTENTS OF THIS DOCUMENT IS PROHIBITED. ALL RIGHTS ARE RESERVED IN THE EVENT OF THE
 ABUSE AND RESULT IN A LIABILITY TO THE PAYMENT OF DAMAGES. ALL RIGHTS ARE RESERVED IN THE EVENT OF THE
 GRANT OF PATENT OR REGISTRATION OF A UTILITY MODEL OR DESIGN. THIS DOCUMENT IS THE SUBJECT OF COPYRIGHT.
 TOUTE COMMUNICATION OU REPRODUCTION DE CE DOCUMENT, TOUTE EXPLOITATION OU COMMUNICATION DE SON CONTE-
 NUT, REPRODUCTION OU COMMERCIALIZATION DE CE DOCUMENT, NE UTILISER PAS LE CONTENU DE CE DOCUMENT, NI
 INDUSTRIELLE RÉSERVÉES. NOTAMMENT EN MATIÈRE DE BREVETS ET DE MODÈLES.
 WEITERGABE SOWIE VERWERTUNG ODER NUTZUNG ANDERER MITTELS UND MITTEILUNG DES INHALTS NICHT
 MISBRAUCH DAR LAD VERPFLICHTEN ZU SCHADENSERZ. ALLE RECHTE FÜR DEN FALL DER PATENTIERUNG ODER
 GEBRAUCHSMUSTER-EINTRAGUNG VORBEHALTEN.



DELIVERY PRESSURE
 AUSGESTEUERTER DRUCK p₂ [bar]
 PRESSION DELIVREE
 PRESSIONE EROGATA



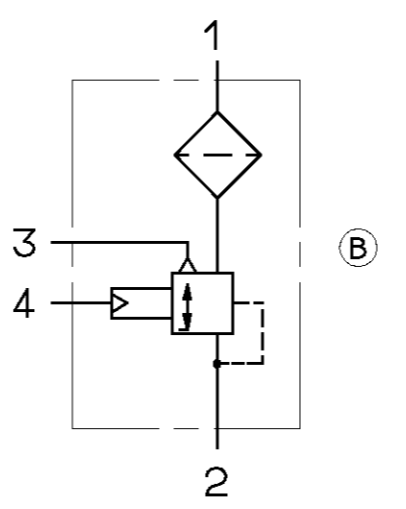
- 1** SUPPLY
VORRAT
ALIMENTATION
ALIMENTAZIONE
- 2** DELIVERY PRESSURE
AUSGESTEUERTER DRUCK
PRESSION DELIVREE
PRESSIONE EROGATA
- 3** EXHAUST
ENTLUEFTUNG
ECHAPPEMENT
SCARICO
- 4** CONTROL PRESSURE
STEUERDRUCK
PRESSION DE COMMANDE
PRESSIONE DI COMANDO

MEDIUM: AIR
 MEDIUM: LUFT
 FLUIDE: AIR
 FLUIDO: ARIA

WORKING PRESSURE:
 BETRIEBSDRUCK: MAX. p_e = 10 bar
 PRESSION DE SERVICE:
 PRESSIONE D'ESERCIZIO: TEMPORARILY: [ⓓ]
 KURZZEITIG: MAX. p_e = 13 bar
 DE COURTE DUREE:
 BREVE TEMPO SOLO:

SUPPLY PRESSURE: [ⓓ]
 VORRATSDRUCK: MAX. p_e = 13 bar
 PRESSION D'ALIMENTATION:
 PRESSIONE DI ALIMENTAZIONE:

PERMISSIBLE INSTALLATION
 ZULAESSIGE EINBAULAGE ±90°
 POSITION D'INSTALLATION ADMISE
 POSIZIONE DI MONTAGGIO AMMESSA



THERMAL RANGE OF APPLICATION:
 THERMISCHER ANWENDUNGSBEREICH: -40° ... +80° C
 GAMME D'APPLICATION THERMIQUE:
 CAMPO DI APPLICAZIONE TERMICA:

TORQUE FOR CONNECTIONS:
 ANZUGSMOMENT FUER EINSCHRAUBSTUTZEN: M16x1.5: M_{max.} = 34 Nm
 COUPLE DE SERRAGE DES RACCORDS: M22x1.5: M_{max.} = 53 Nm
 COPPIA DI SERRAGGIO DEI RACCORDI: [Ⓒ] * M22x1.5: M_{max.} = 25 Nm

GENERAL SPECIFICATION: JED-334		CADAM-DRAWING COPYRIGHT		WABCO	
FURTHER TECHNICAL DATA:		DATE: _____ SIGNATURE: _____		DRAWN: BRINK/ME.	
DOC. CODE: _____ SHEET: _____ TO: _____		CHECKED: _____		90-01-17 KIEL/DEI.	
GENERAL TOLERANCES		STANDARDIZATION:		90-01-17 THIELE	
CLASS 1)	RANGE OF NOMINAL DIMENSIONS (± mm)			MASS	
	≤50	>50 ≤180	>180 ≤400	>400	SCALE
FINE	0,5	1,0	1,5	2,0	1:1
MEDIUM X	1,0	2,0	3,0	4,0	(2:1)
COARSE	2,0	3,5	5,0	6,5	T.R.I.
TAPPED HOLES ACC. ISO 4039 / JED-182		045413 2× A 90-03-06		PRODUCT IDENTIFICATION NO.	
1) TOLERANCE CLASS APPLIED CROSSMARKED		DCN-NO. REV. DATE		973 011 002 0	
		A 2 140		DOC. CODE SHEET	
		522		605 1/1	
		SHAPE CODE		REPLACEMENT FOR	
		EXPERT CODE 744		PRODUCT TYPE 02	