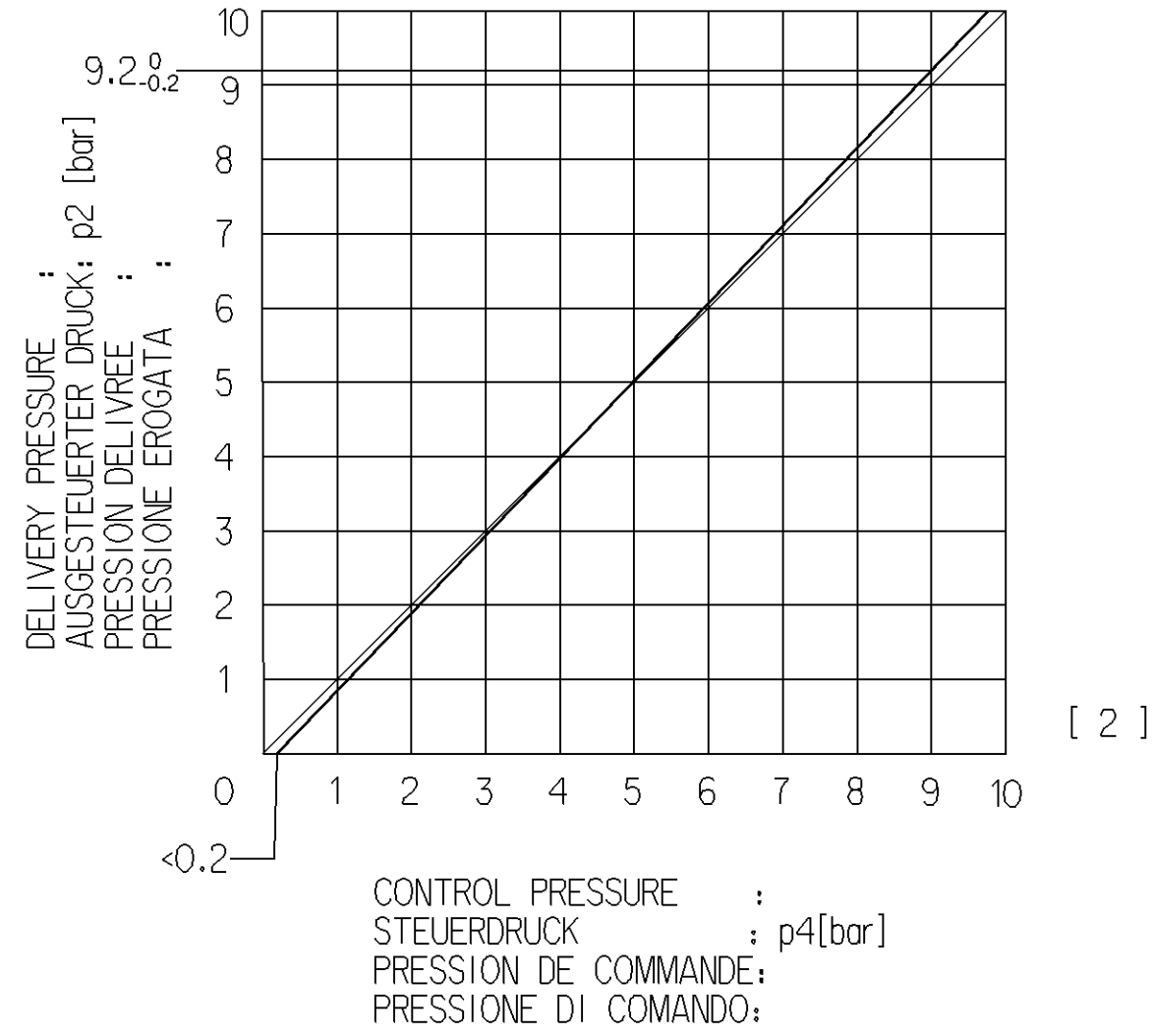
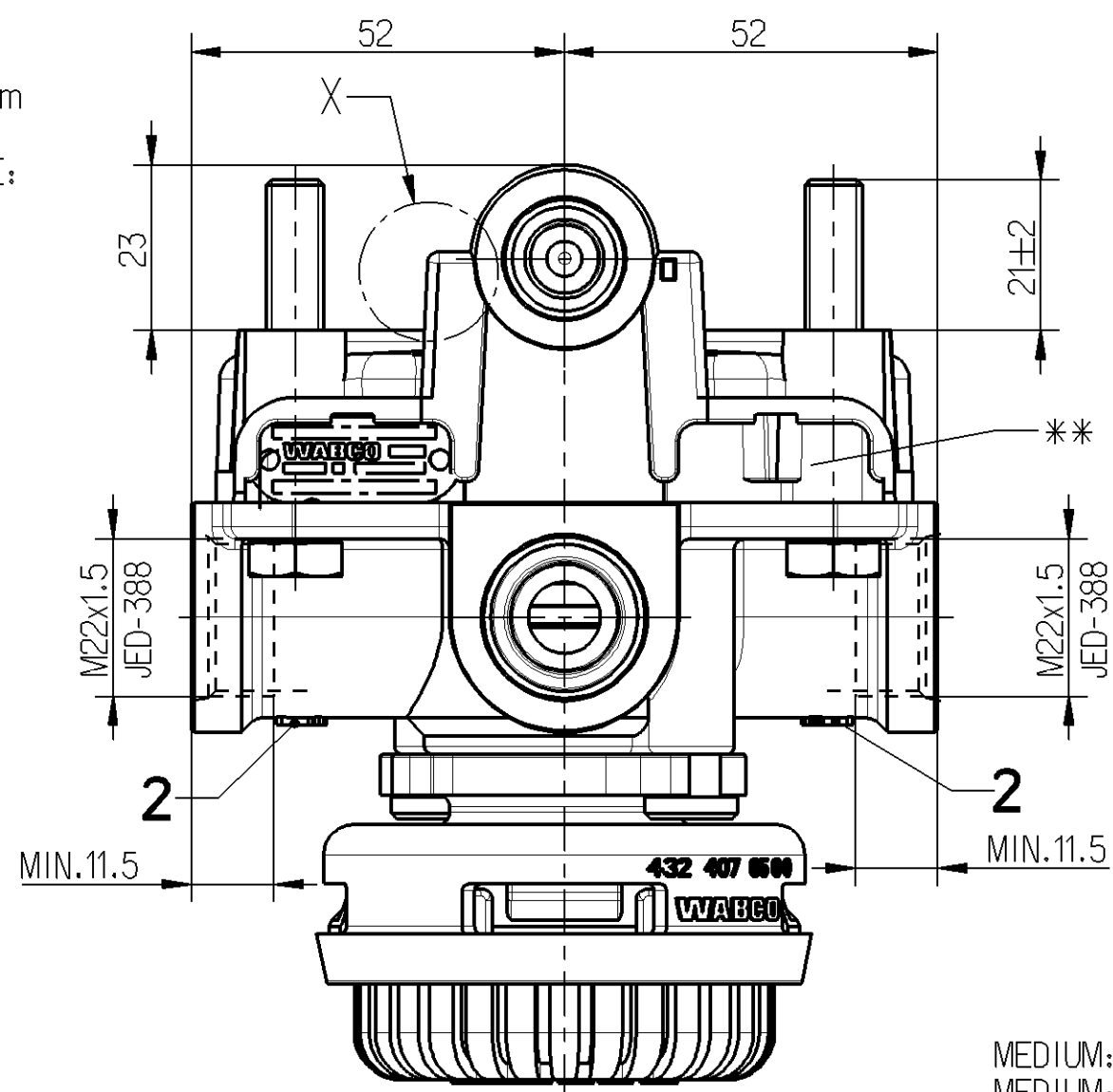
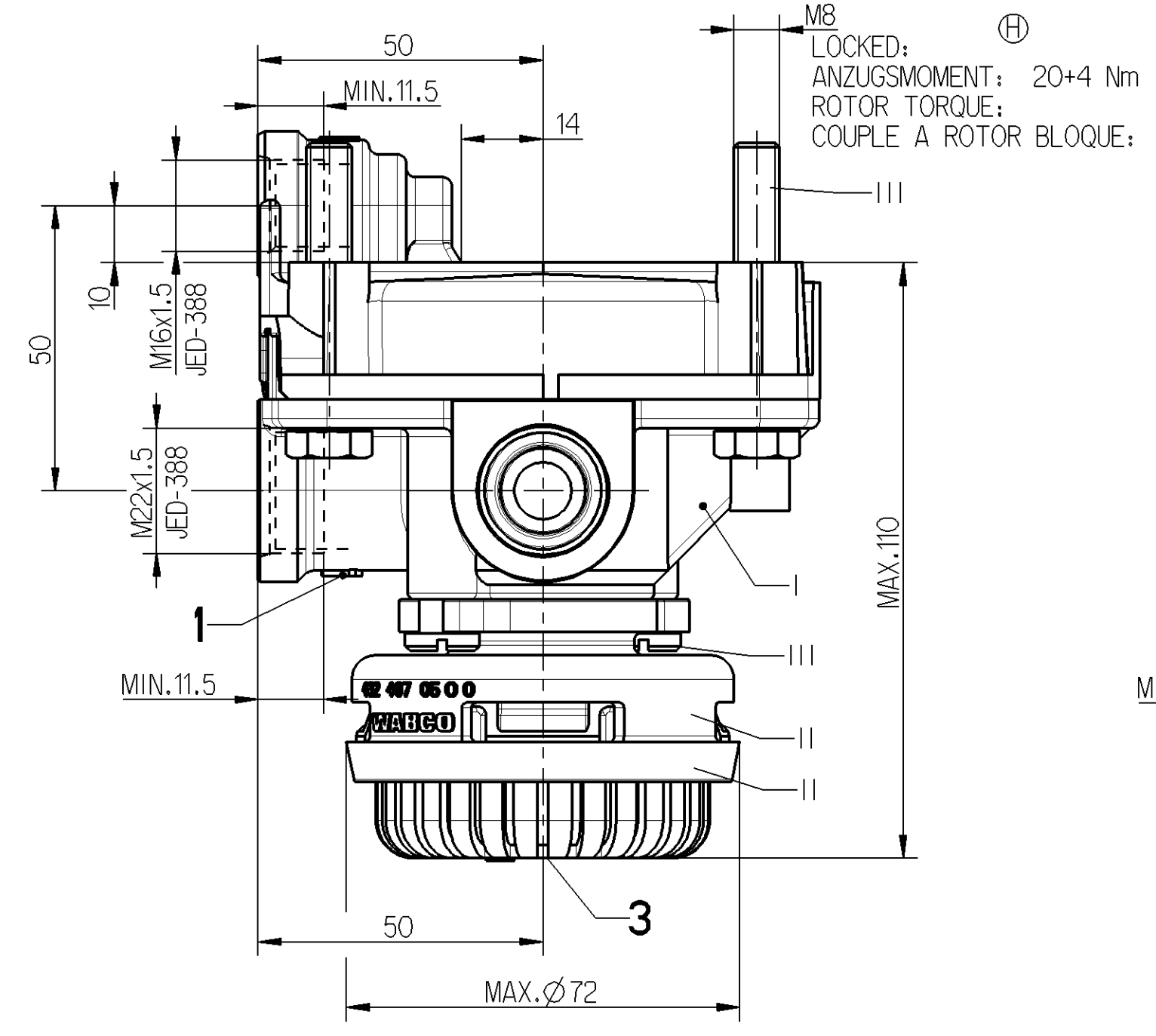


Non è permesso consegnare o terzi o riprodurre questo documento, né utilizzare il contenuto o renderlo comunque noto a terzi senza permesso scritto dalla WABCO. È vietata espressamente la ristampa o l'uso non autorizzato senza permesso scritto dalla WABCO. E' fatto tassativo di tutti i diritti, brevetti, marchi o modelli. Copying of this document and giving it to others and the use or communication of the contents thereof, are forbidden without express written permission from WABCO. This document is the property of WABCO and its use is restricted to the specific application for which it was prepared. All rights reserved in the event of the grant of patent or registration of a utility model or design. This document is the subject of copyright.

Toute communication ou reproduction de ce document, toute exploitation ou communication de son contenu sont interdites, sauf autorisation expresse. Tout emprunt ou autre réimpression ou utilisation non autorisée sans la permission écrite de la WABCO est formellement interdite. Toute utilisation non autorisée sans la permission écrite de la WABCO est formellement interdite. Weitergabe sowie Vervielfältigung dieses Urteils, Verwertung und Mitteilung ihres Inhalts sind nicht gestattet, soweit nicht ausdrücklich zugelassen. Zuwiderhandlungen stellen einen strafrechtlichen Missbrauch dar und verpflichten zu Schadensersatz. Alle Rechte für den Fall der Patentierung oder Gebrauchsmuster-Eintragung vorbehalten.



MEDIUM: AIR
MEDIUM: LUFT
FLUIDE: AIR
FLUIDO: ARIA

WORKING PRESSURE:
BETRIEBSDRUCK: MAX. pe=10.2 BAR
PRESSION DE SERVICE:
PRESSIONE DI ESERCIZIO:

SUPPLY PRESSURE:
VORRATSDRUCK: MAX.pe=13 BAR
PRESSION D'ALIMENTATION:
PRESSIONE DI ALIMENTAZIONE:

PERMISSIBLE INSTALLATION
ZULAESSIGE EINBAULAGE ±90°
POSITION D'INSTALLATION ADMISE
POSIZIONE DI MONTAGGIO AMMESSA

TEMPORARY
KURZZEITIG MAX. pe=13 BAR
DE COURTE DURÉE
BREVE TEMPO SOLO

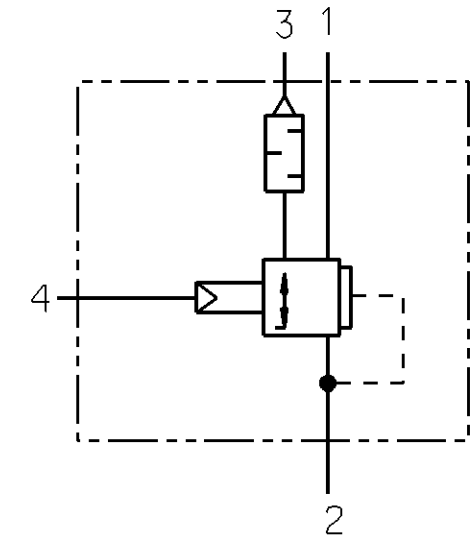
X
DESIGN PERMISSIBLE
AUSFUEHRUNG ZULAESSIG
REALISATION ADMISE
DISEGNO AMMISSIBILE

- 1 SUPPLY
VORRAT
ALIMENTATION
ALIMENTAZIONE
- 2 DELIVERY PRESSURE
AUSGESTEUERTER DRUCK
PRESSION DELIVREE
PRESSIONE EROGATA
- 3 AIR EXHAUST
ENTLUEFTUNG
ECHAPPEMENT
SCARICO
- 4 CONTROL PRESSURE
STEUERDRUCK
PRESSION DE COMMANDE
PRESSIONE DI COMANDO

CUSTOMERS NAME PLATE
** KUNDENTYPENSCHILD
PLAQUE DE FIRME CLIENT
TARGHETTA CLIENTE

TORQUE FOR CONNECTIONS:
ANZUGSMOMENT FUER EINSCHRAUBSTUTZEN: M16X1.5: Mmax.=34 Nm
COUPLE DE SERRAGE DES RACCO M22x1.5: Mmax.=53 Nm
COPPIA DI SERRAGGIO DEI RACCORDI:

THERMAL RANGE OF APPLICATION FROM -40° UP TO +80 °C
THERMISCHER ANWENDUNGSBEREICH VON -40° BIS +80 °C
GAMME D'APPLICATION THERMIQUE DE -40° À +80 °C
CAMPO TERMICO D'APPLICAZIONE DA -40° A +80 °C



	MATERIAL		SURFACE PROTECTION	
	MATERIAL		OBERFLAECHENSCHUTZ	
	MATERIAU		PROTECTION SUPERFICIELLE	
	MATERIALE		PROTEZIONE SUPERFICIALE	
I	Al	JED-O29M1	Cr	JED-259-1
II	Pa6.6	JED-354-1		
III	Fe	JED-O51M4	Zn/C	JED-256

General Specification: JED-334-0		Copyright WABCO®		WABCO	
Further Technical Data:		Date	Signature		
Doc. Code:	Sheet: To	2012-11-22	Etze	RELAY VALVE RELAISVENTIL VALVE RELAIS VALVOLA RELE	
General Tolerances JED-261		Checked	Nair		
Range of Nominal Dimensions (± mm)		Expert	Nair		
Class 1)	≤ 50 > 50 ≤ 180 > 180 ≤ 400 > 400				
Fine	0.5 1.0 1.5 2.0	Mtss	Scale	Material No.	Date of first issue: 2011-11-01
Medium	X 1.0 2.0 3.0 4.0	0.7	1:1	973 011 004 0	Doc.Code Language Sheet
Coarse	2.0 3.5 5.0 6.5	Size	CAD System	005 ML 1/1	
Tapped Holes acc. JED-388		A 2	Pro/E	ECN-No.	Revision
1) Tolerance Class Applied Crossmarked		160034	1x H	5220	Techn. Resp.
				Replacement for	
				973 011 004 0/94-06-13	