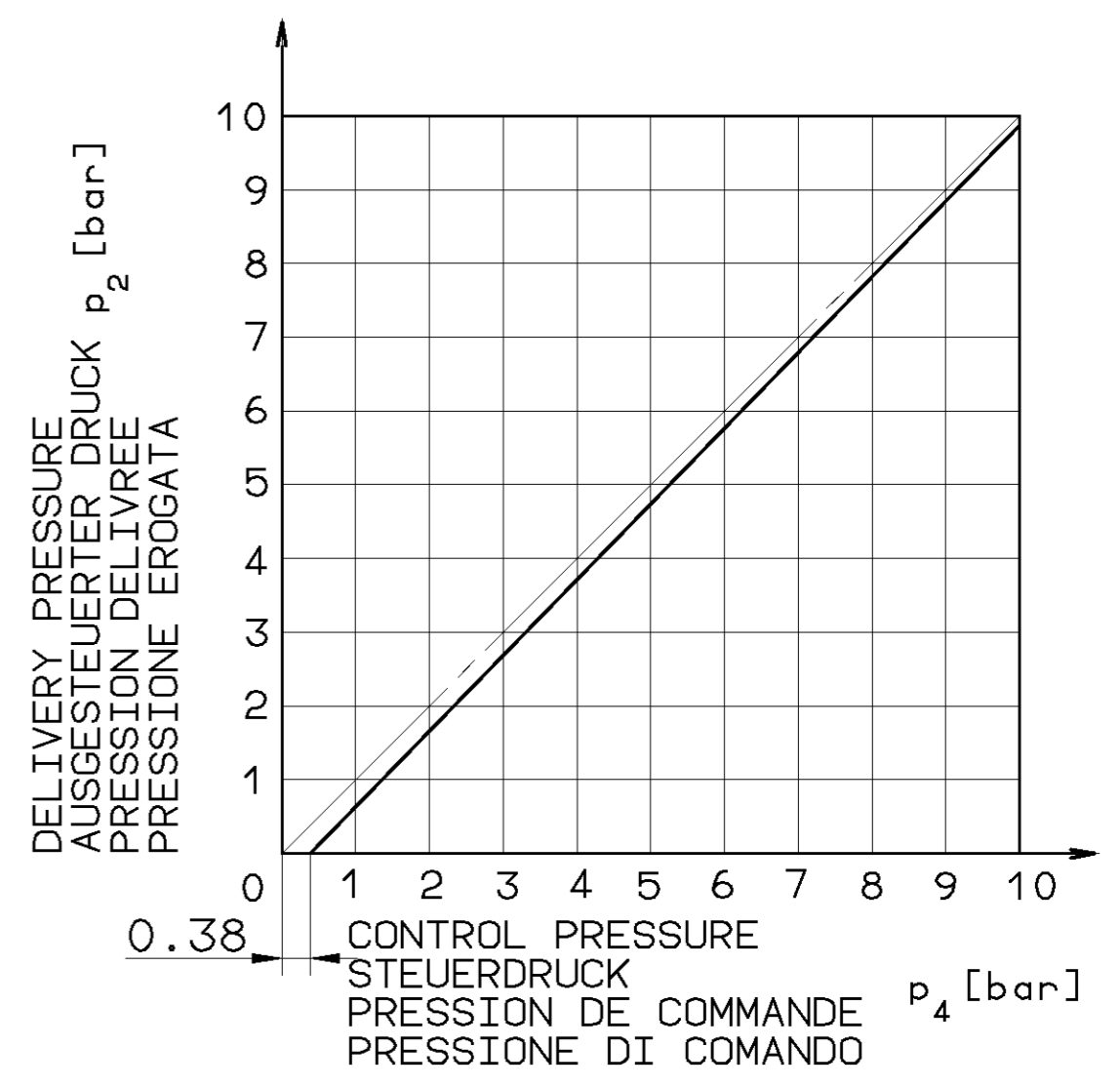
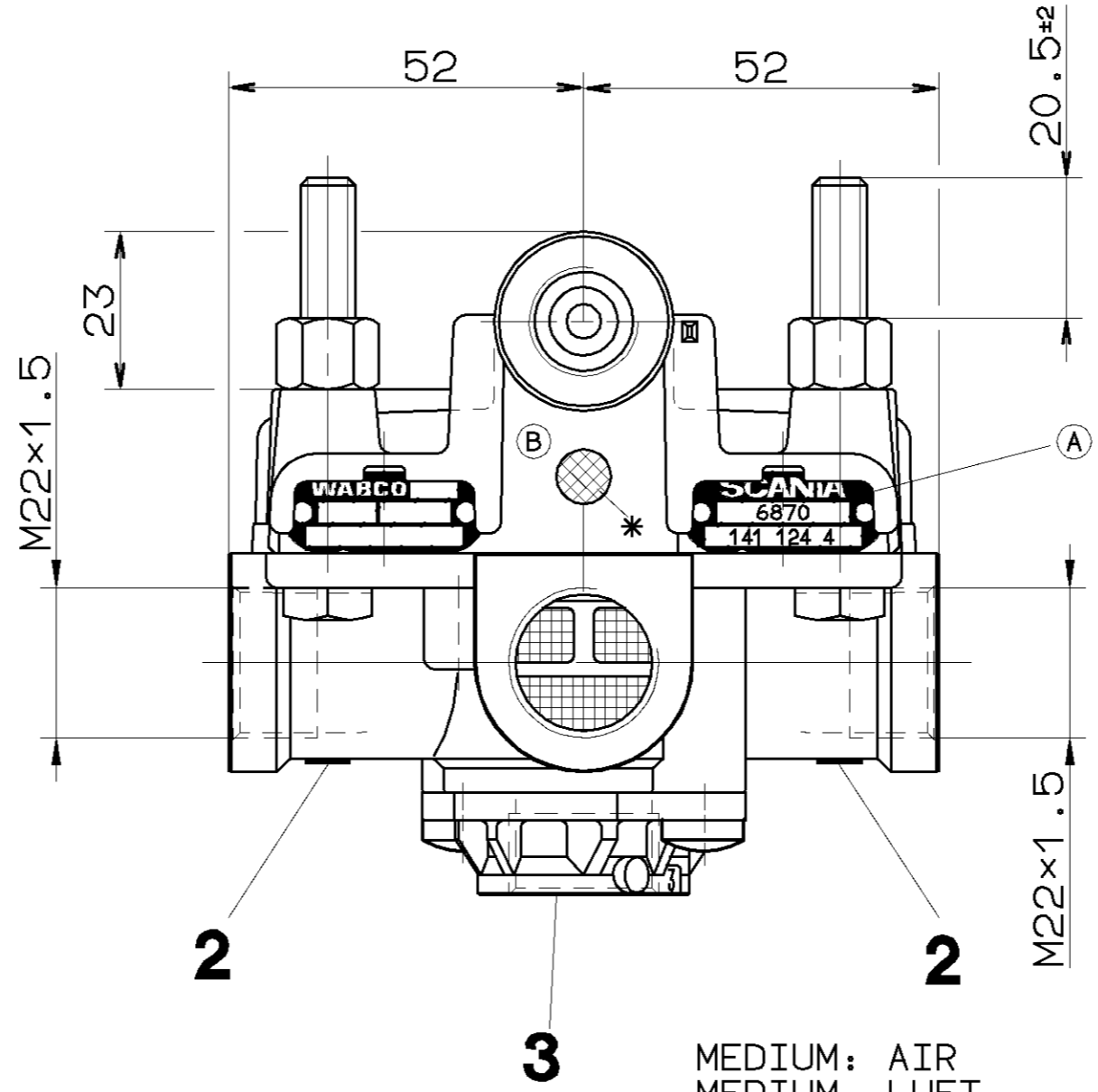
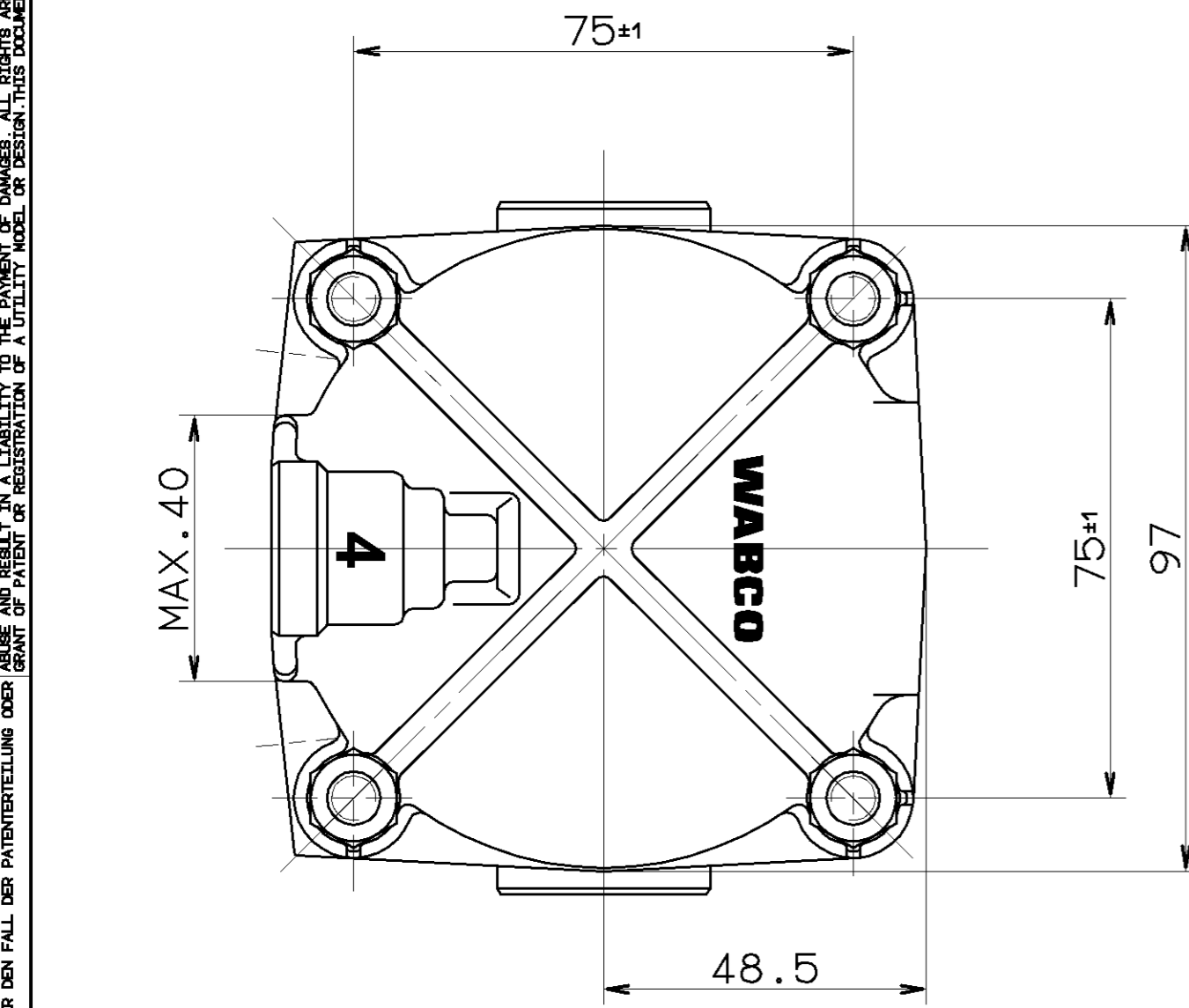
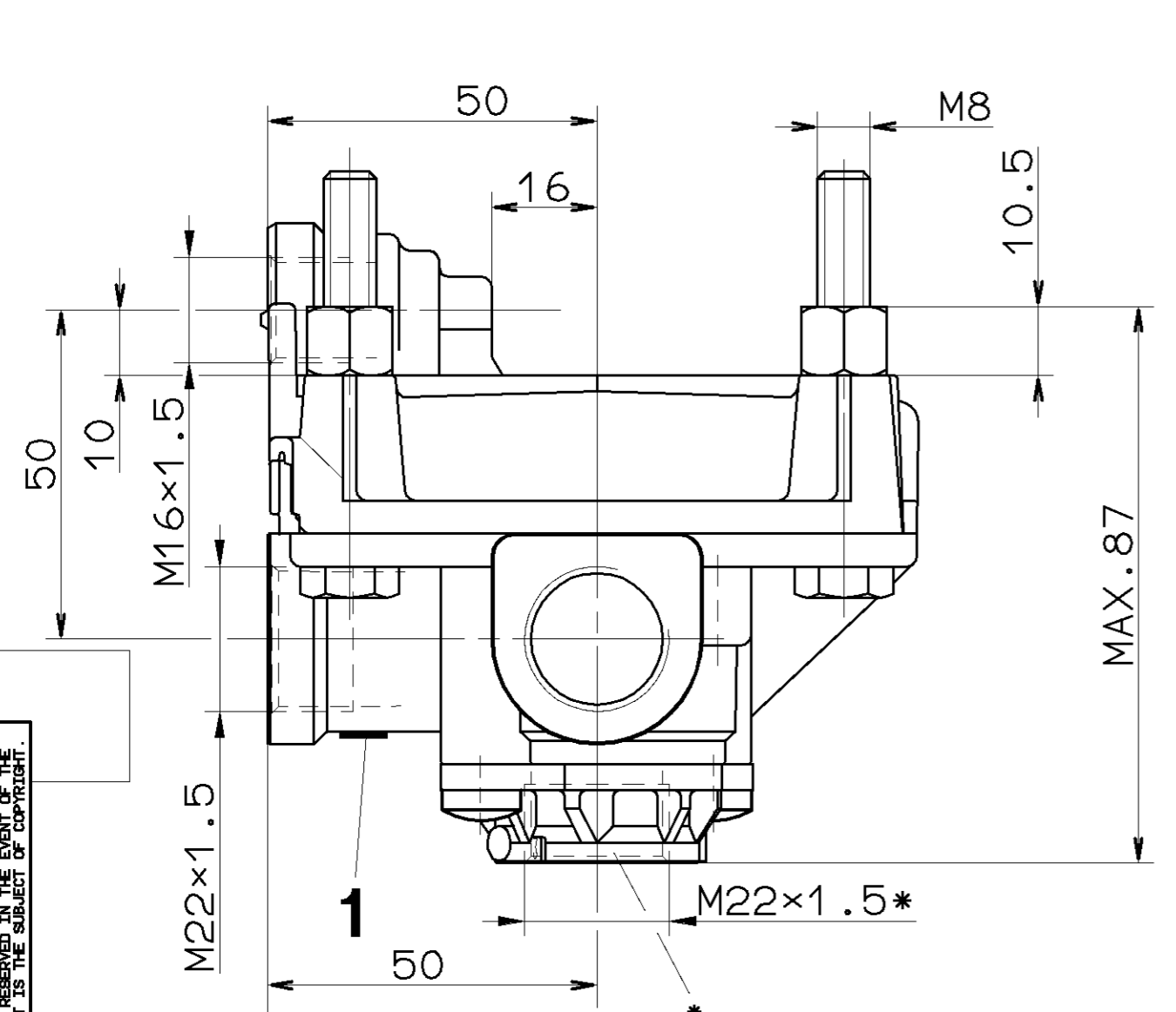


NON È PERMESSO CONSERVARE A TERZI O RIPRODURRE QUESTO DOCUMENTO. NE UTILIZZARE IL CONTENUTO O RES-
 ARIARE E COMMERCIARE IL RENDIMENTO DEL MODELLO. È FATTA RISERVA DA TUTTI I DIRITTI DERIVANTI DA
 BREVETTI O MODELLI.
 COPIING OF THIS DOCUMENT AND GIVING IT TO OTHERS AND THE USE OF COMMUNICATION OF THE CONTENTS THEREOF,
 REPRODUCTION AND REPRODUCTION OF THIS DOCUMENT IN ANY MANNER, WITHOUT THE WRITTEN PERMISSION OF WABCO,
 IS PROHIBITED. ALL RIGHTS ARE RESERVED IN THE EVENT OF THE
 GRANT OF PATENT OR REGISTRATION OF A UTILITY MODEL OR DESIGN.
 TOUTE COMMUNICATION OU REPRODUCTION DE CE DOCUMENT, TOUTE EXPLOITATION OU COMMUNICATION DE SON CONTE-
 NUT EN FAVORISANT UN AUTRE ALIENANT À TITRE DE PROPRIÉTÉ INDUSTRIELLE, SANS AUCUN ACCORD ÉCRIT DE WABCO, EST INTERDITE. TOUS DROITS DE PROPRIÉTÉ
 INDUSTRIELLE RÉSERVÉS. NOTAMMENT EN MATIÈRE DE BREVETS ET DE MODÈLES.
 WERTERBÄHE SOWIE VERWERTUNG DIESER LITERATUR, VERNACHLÄSSIGUNG UND MITTEILUNG DES INHALTS NICHT
 ZULASSIG. ALLE RECHTE ZUR PATENTIERUNG UND ZUR REGISTRIERUNG VON NUTZMODELLEN ODER
 GEBRAUCHSMUSTER-EINTRÄGEN VORBEHALTEN.



- 1** SUPPLY
VORRAT
ALIMENTATION
ALIMENTAZIONE
- 2** DELIVERY PRESSURE
AUSGESTEUERTER DRUCK
PRESSION DELIVREE
PRESSIONE EROGATA
- 3** EXHAUST
ENTLUEFTUNG
ECHAPPEMENT
SCARICO
- 4** CONTROL PRESSURE
STEUERDRUCK
PRESSION DE COMMANDE
PRESSIONE DI COMANDO

MEDIUM: AIR
 MEDIUM: LUFT
 FLUIDE: AIR
 FLUIDO: ARIA

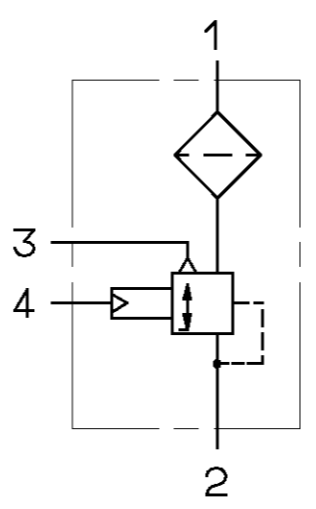
WORKING PRESSURE:
 BETRIEBSDRUCK: MAX. p_e = 10bar
 PRESSION DE SERVICE:
 PRESSIONE D'ESERCIZIO:

TEMPORARILY:
 KURZZEITIG: MAX. p_e = 13bar
 DE COURTE DUREE:
 BREVE TEMPO SOLO:

SUPPLY PRESSURE:
 VORRATSDRUCK: MAX. p_e = 13bar
 PRESSION D'ALIMENTATION:
 PRESSIONE DI ALIMENTAZIONE:

PERMISSIBLE INSTALLATION
 ZULAESSIGE EINBAULAGE ±90°
 POSITION D'INSTALLATION ADMISE
 POSIZIONE DI MONTAGGIO AMMESSA

MARKING : WHITE
 KENNZEICHNUNG: WEISS
 MARQUAGE : BLANC
 CONTRASSEGNO : BIANCO



THERMAL RANGE OF APPLICATION:
 THERMISCHER ANWENDUNGSBEREICH: -40° ... +80° C
 GAMME D'APPLICATION THERMIQUE:
 CAMPO DI APPLICAZIONE TERMICA:

TORQUE FOR CONNECTIONS:
 ANZUGSMOMENT FUER EINSCHRAUBSTUTZEN: M16x1.5: M_{max.} = 34 Nm
 COUPLE DE SERRAGE DES RACCORDS: M22x1.5: M_{max.} = 53 Nm
 COPPIA DI SERRAGGIO DEI RACCORDI: * M22x1.5: M_{max.} = 25 Nm

GENERAL SPECIFICATION: JED-334		CADAM-DRAWING COPYRIGHT		WABCO	
FURTHER TECHNICAL DATA:		DATE: 97-07-02		SIGNATURE: ELZE	
DOC. CODE: SHEET. TO		DRAWN: 97-07-02		CHECKED: 97-07-02	
GENERAL TOLERANCES		STANDARDIZATION:		MENZE/KI.	
RANGE OF NOMINAL DIMENSIONS (± mm)		MASS: 0.6 KG		SCALE: 1:1 (2:1)	
CLASS 1)	≤50 >50 ≤180 >180 ≤400 >400	PRODUCT IDENTIFICATION NO.: 973 011 010 0		DOC. CODE: 605	
FINE	± 0.5 ± 1.0 ± 1.5 ± 2.0	SIZE: A 2		SHEET: 1/1	
MEDIUM	± 1.0 ± 2.0 ± 3.0 ± 4.0	DATE: 98-08-04		REPLACEMENT FOR:	
COARSE	± 2.0 ± 3.5 ± 5.0 ± 6.5	TAPPED HOLES ACC. ISO 4039 / JED-182		SHAPE CODE: 522	
TAPED HOLES ACC. ISO 4039 / JED-182		DCN-NO. 066768		REV. 2xB	
1) TOLERANCE CLASS APPLIED CROSSMARKED		DATE: 97-11-20		EXPERT CODE: 744	

1899/012/204_93
 605/603