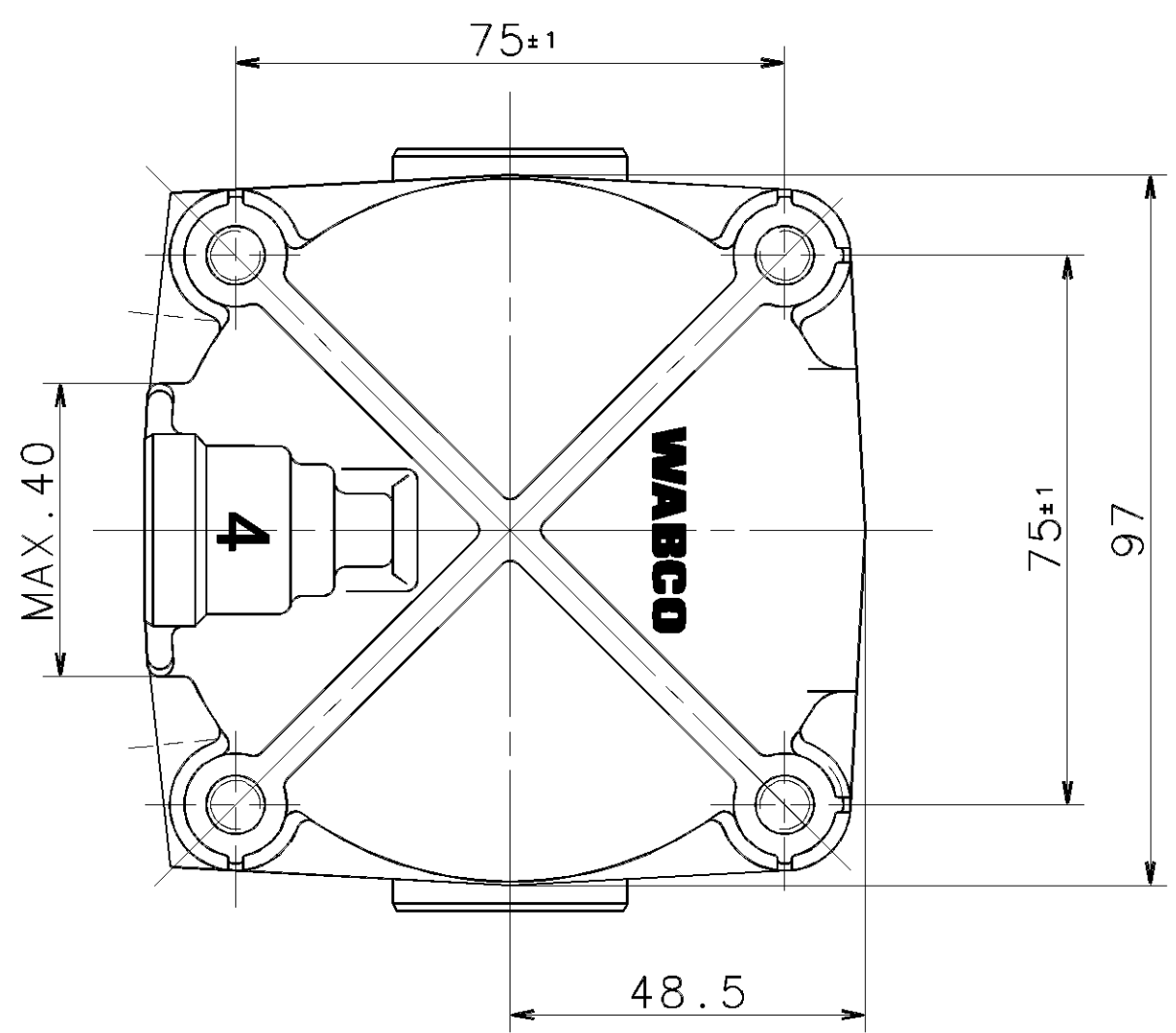
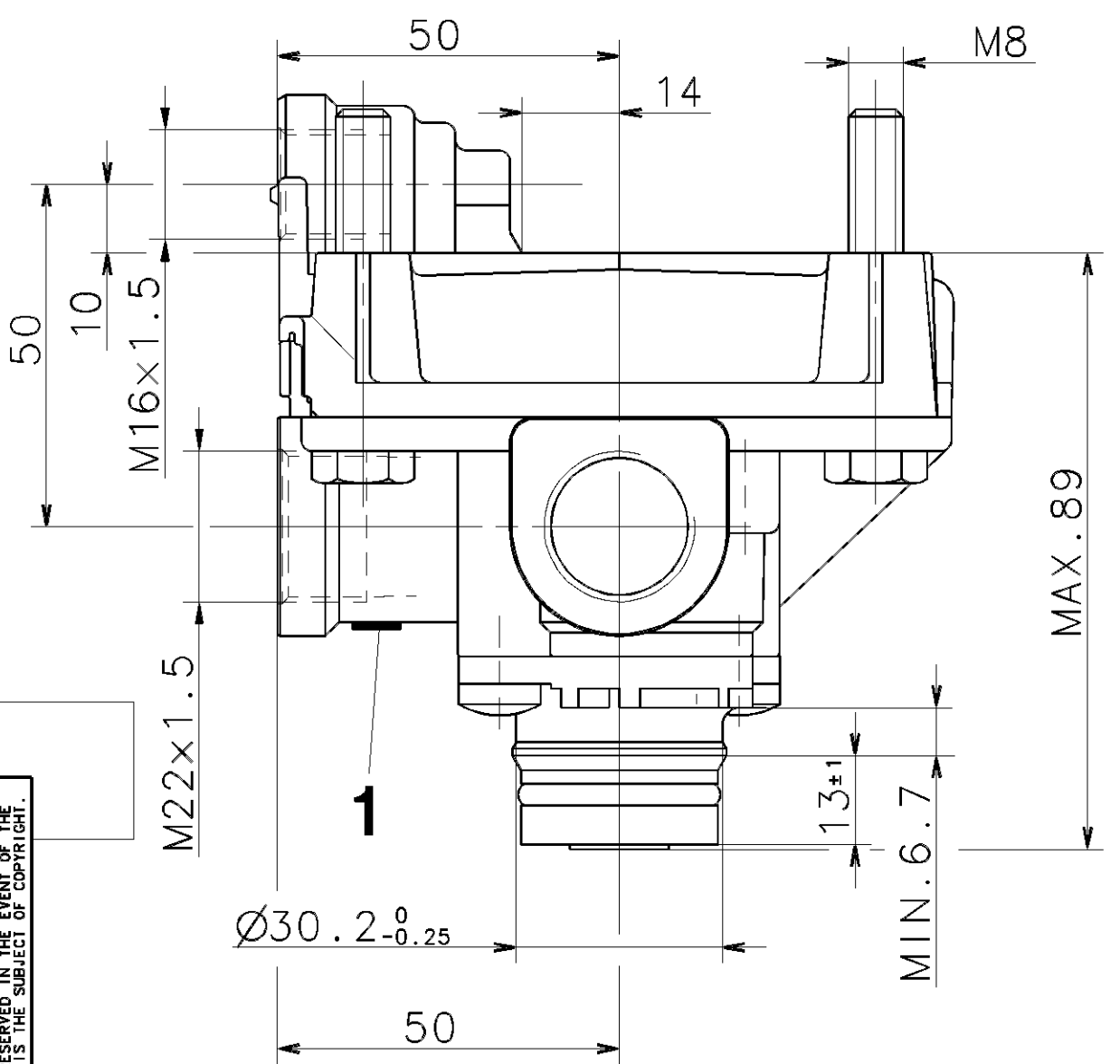


NON È PERMESSO CONCESSIONE A TERZI O RIPRODURRE QUESTO DOCUMENTO. NE UTILIZZARNE IL CONTENUTO O RENDERSI RESPONSABILI. È CONSIDERATA LA RESPONSABILITÀ E IL RISARCIMENTO DEI DANNI SUBITI. È FATTA RISERVA DI TUTTI I DIRITTI DERIVANTI DA BREVETTI O MODELLI. COPIING OF THIS DOCUMENT AND ITS USE OR COMMUNICATION OF ITS CONTENTS THEREOF, WITHOUT THE WRITTEN PERMISSION OF WABCO, IS PROHIBITED. ALL RIGHTS ARE RESERVED IN THE EVENT OF THE ABUSE AND RESULT IN A LIABILITY TO THE PAYMENT OF DAMAGES. THIS DOCUMENT IS THE SUBJECT OF COPYRIGHT. GRANT OF PATENT OR REGISTRATION OF A UTILITY MODEL OR DESIGN.

TOUTE COMMUNICATION OU REPRODUCTION DE CE DOCUMENT, TOUTE EXPLOITATION OU COMMUNICATION DE SON CONTENU, SANS LA PERMISSION ÉCRITE DE WABCO, EST INTERDITE. IL EST CONSIDÉRÉ LA RESPONSABILITÉ ET LE RÉSARCISSEMENT DES DOMMAGES SUBIS. IL EST FAIT RÉSERVE DE TOUS DROITS DE PROPRIÉTÉ INDUSTRIELLE RÉSERVÉS. NOTAMMENT EN MATIÈRE DE BREVETS ET DE MODÈLES. WELLEGABE SOWIE VERVIELFÄLTIGUNG DIESER UNTERLAGE, VERWERTUNG UND MITTEILUNG IHRES INHALTS NICHT OHNE SCHRIFTLICHE ZULASSUNG VON WABCO. ALLE RECHTE FÜR DEN FALL DER PATENTIERUNG ODER GEBRAUCHSMUSTER-EINTRAGUNG VORBEHALTEN.

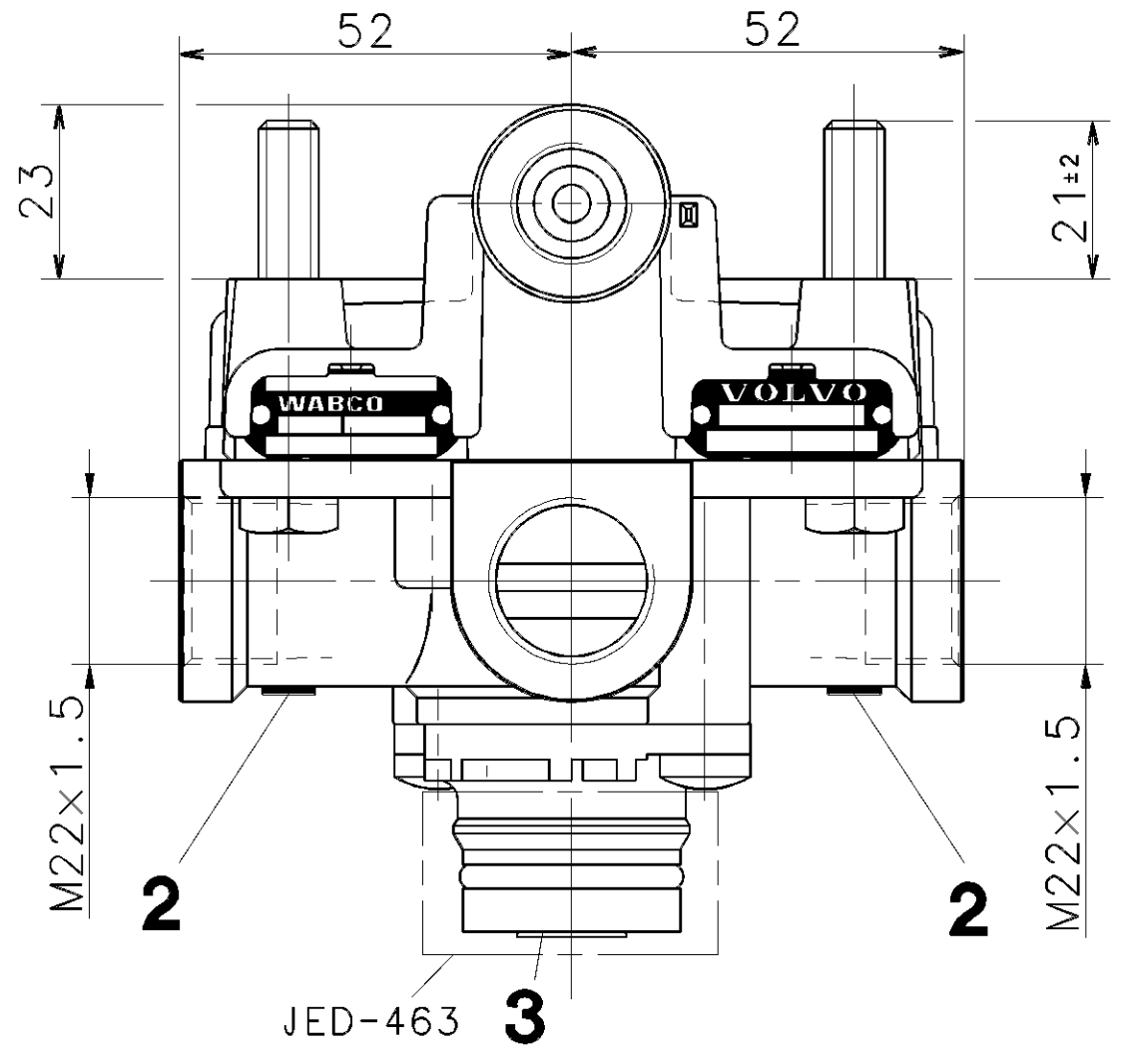


MEDIUM: AIR
 MEDIUM: LUFT
 FLUIDE: AIR
 FLUIDO: ARIA

WORKING PRESSURE: TEMPORARILY:
 BETRIEBSDRUCK: KURZZEITIG: MAX. p_e = 10bar MAX. p_e = 13bar
 PRESSION DE SERVICE: DE COURTE DUREE:
 PRESSIONE D'ESERCIZIO: BREVE TEMPO SOLO:

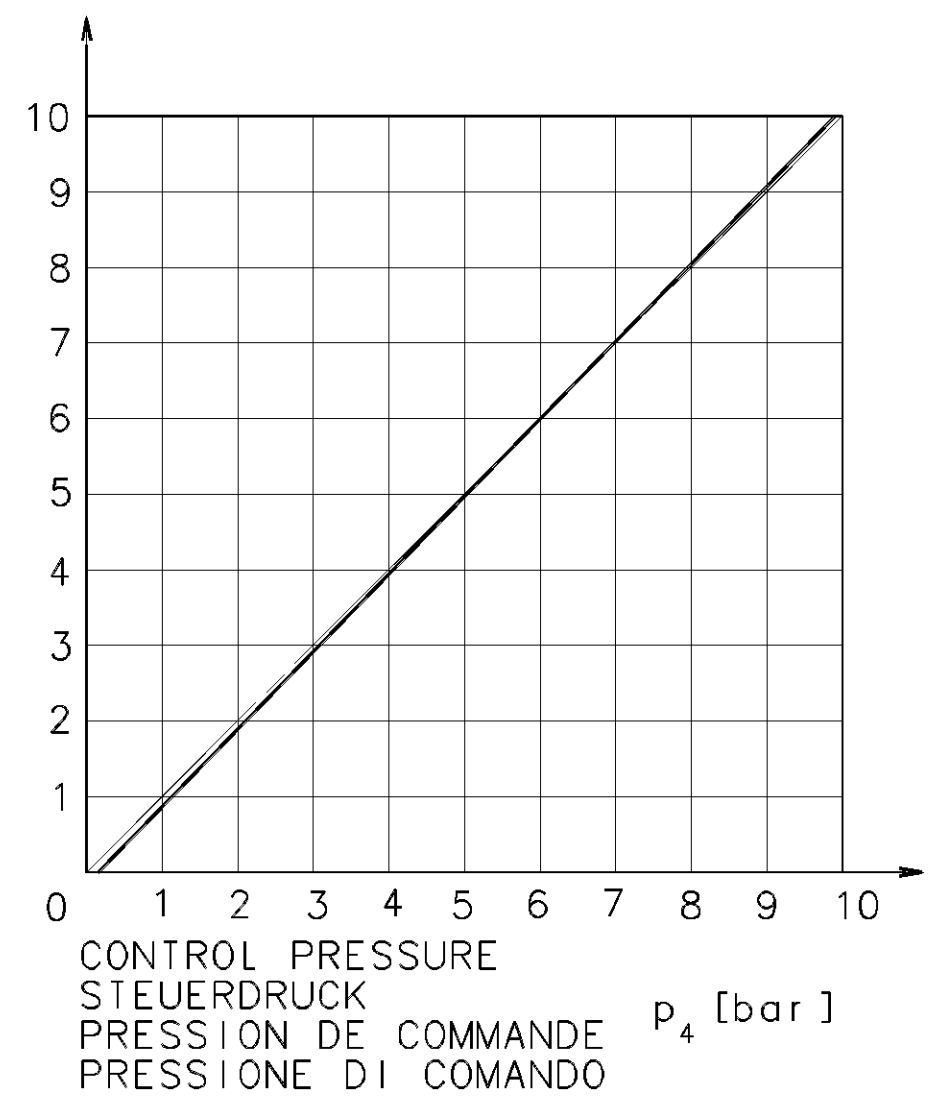
THERMAL RANGE OF APPLICATION:
 THERMISCHER ANWENDUNGSBEREICH: -40°...+80° C
 GAMME D'APPLICATION THERMIQUE:
 CAMPO DI APPLICAZIONE TERMICA:

TORQUE FOR CONNECTIONS:
 ANZUGSMOMENT FUER EINSCHRAUBSTUTZEN: M16x1.5: M_{max.} = 34 Nm
 COUPLE DE SERRAGE DES RACCORDS: M22x1.5: M_{max.} = 53 Nm
 COPPIA DI SERRAGGIO DEI RACCORDI:

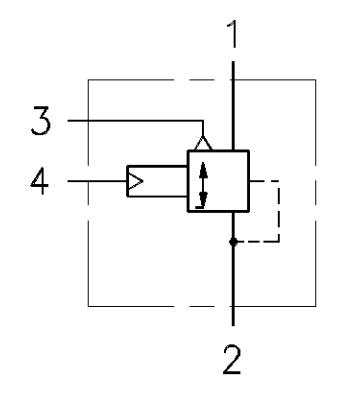


SUPPLY PRESSURE:
 VORRATSDRUCK: MAX. p_e = 13bar
 PRESSION D'ALIMENTATION:
 PRESSIONE DI ALIMENTAZIONE:
 PERMISSIBLE INSTALLATION
 ZULAESSIGE EINBAULAGE ±90°
 POSITION D'INSTALLATION ADMISE
 POSIZIONE DI MONTAGGIO AMMESSA

DELIVERY PRESSURE
 AUSGESTEUERTER DRUCK p₂ [bar]
 PRESSION DELIVREE
 PRESSIONE EROGATA



- 1 SUPPLY
VORRAT
ALIMENTATION
ALIMENTAZIONE
- 2 DELIVERY PRESSURE
AUSGESTEUERTER DRUCK
PRESSION DELIVREE
PRESSIONE EROGATA
- 3 EXHAUST
ENTLUEFTUNG
ECHAPPEMENT
SCARICO
- 4 CONTROL PRESSURE
STEUERDRUCK
PRESSION DE COMMANDE
PRESSIONE DI COMANDO



GENERAL SPECIFICATION: JED-334		CADAM-DRAWING COPYRIGHT		WABCO	
FURTHER TECHNICAL DATA:		DATE	SIGNATURE	RELAY VALVE RELAISVENTIL VALVE RELAIS VALVOLA RELE	
DOC. CODE: SHEET: TO		01-03-27	ELZE	973 011 011 0	
GENERAL TOLERANCES		CHECKED: MENZE/KI.		DOC. CODE SHEET	
RANGE OF NOMINAL DIMENSIONS (± mm)		STANDARDIZATION:		605 1/1	
CLASS 1)	≤50 > 50 ≤180 >180 ≤400 >400	MASS SCALE		PRODUCT IDENTIFICATION NO.	
FINE	0,5 1,0 1,5 2,0	0.62	1:1	973 011 011 0	
MEDIUM X	1,0 2,0 3,0 4,0	KG	(2:1)	SHAPE CODE	
COARSE	2,0 3,5 5,0 6,5	SIZE	T.R.I.	REPLACEMENT FOR	
TAPPED HOLES ACC. ISO 4039 / JED-152		A 2	140	REPLACEMENT FOR	
1) TOLERANCE CLASS APPLIED CROSSMARKED		DCN-NO. REV. DATE		EXPERT CODE 744	

1009/012/3/04-93 605 653