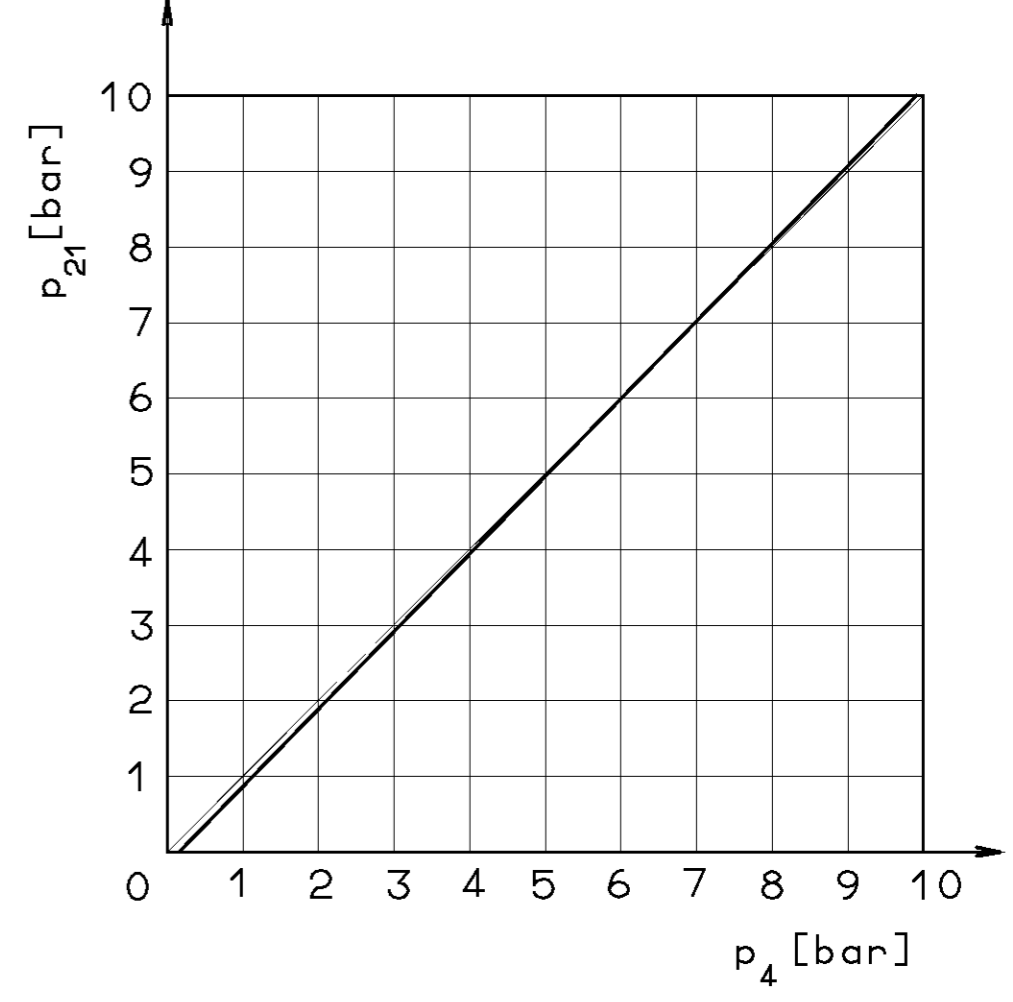
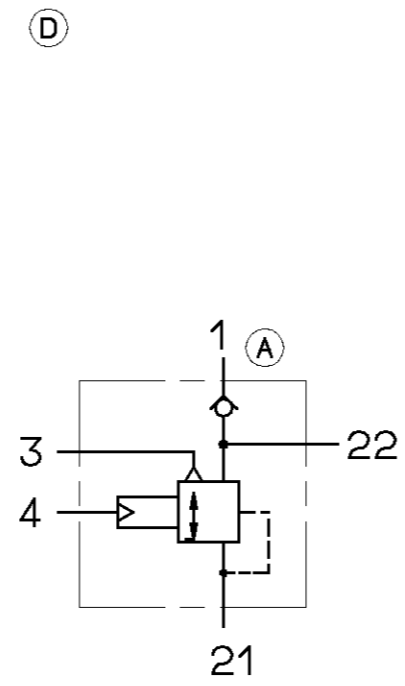
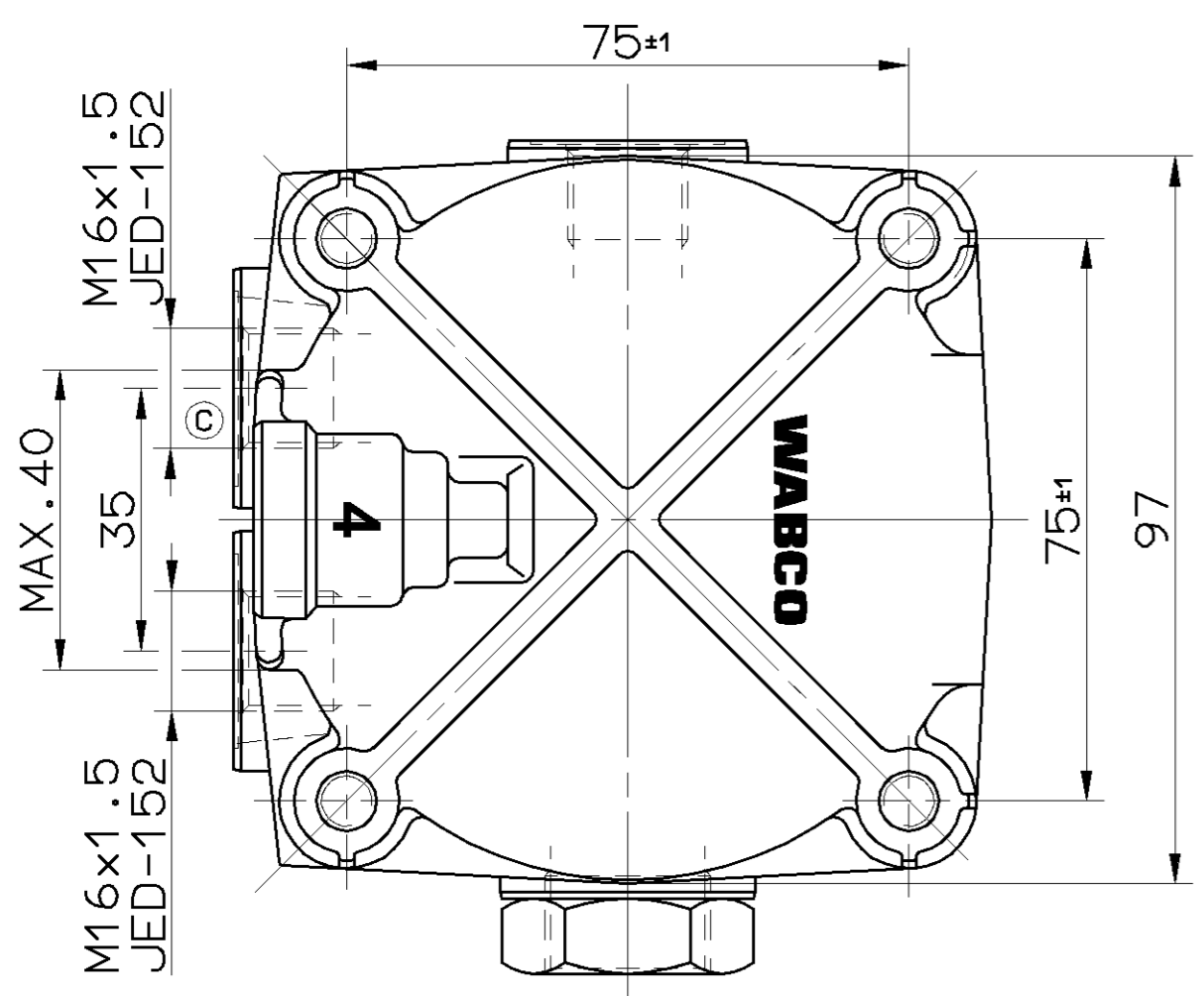
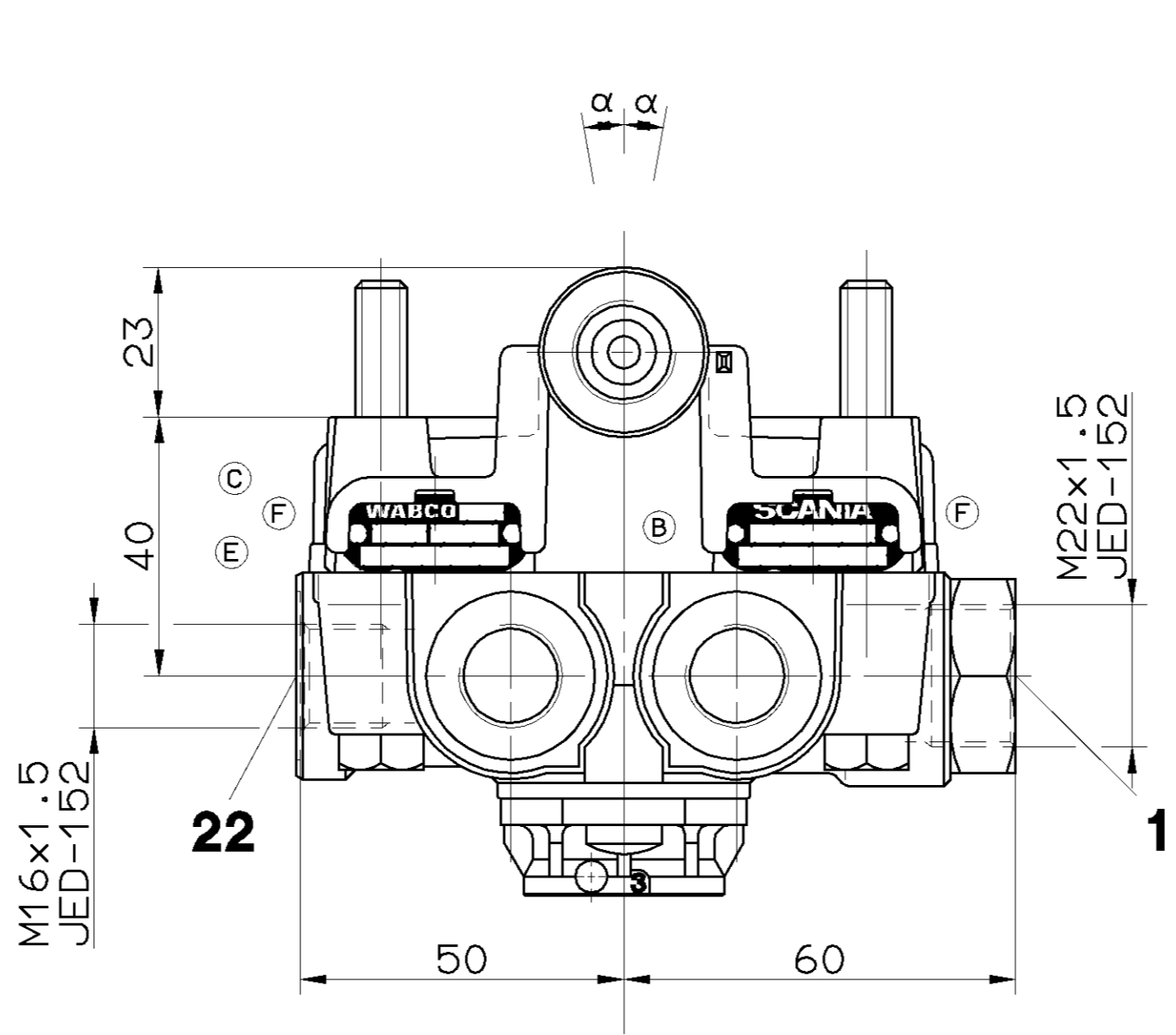
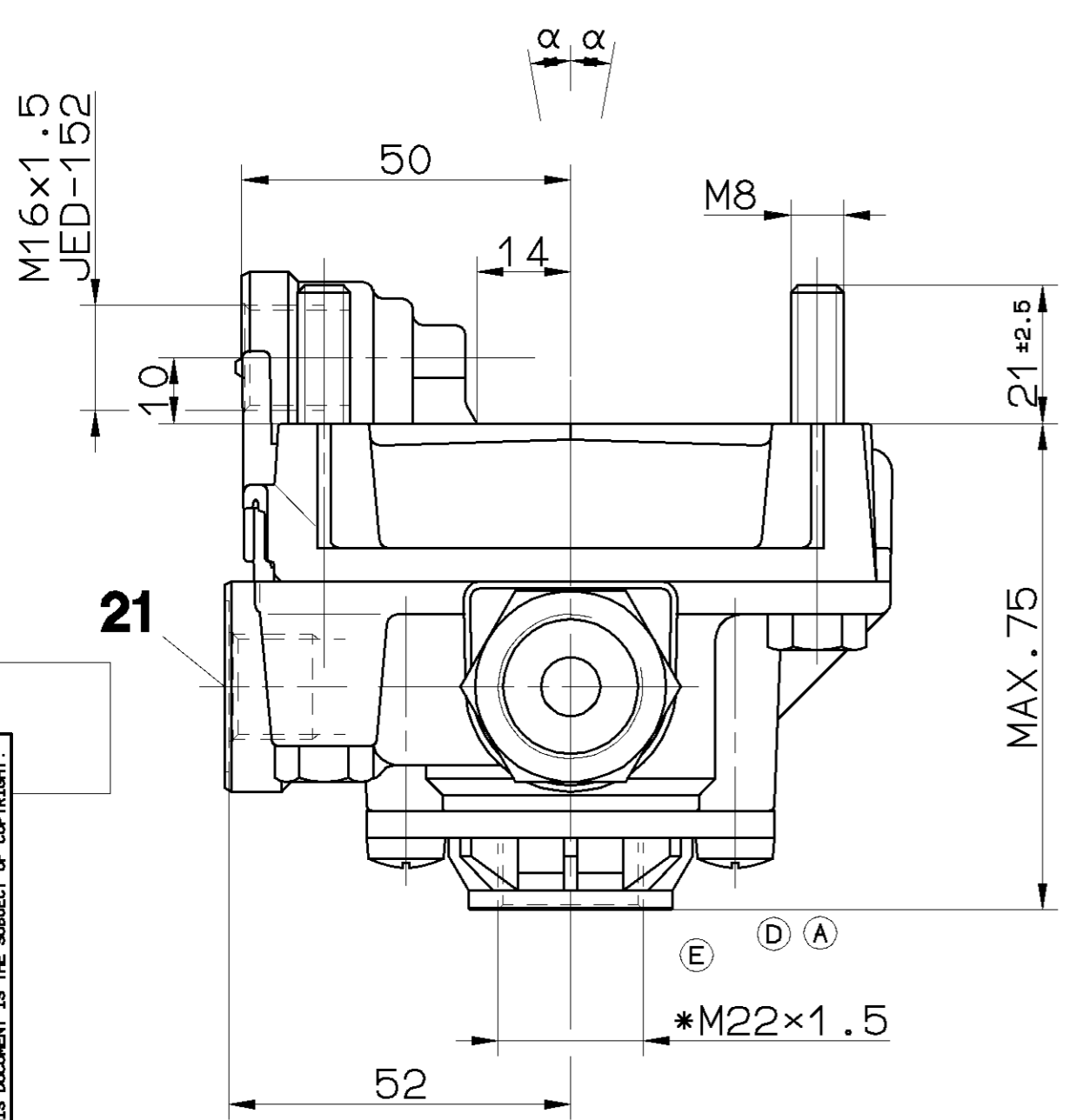


NON È PERMESSO CONSERVARE A TERZI O RIPRODURRE QUESTO DOCUMENTO. NE UTILIZZARE IL CONTENUTO O RES-
 ABBASTIA E CONSERVARE IL RESAUMENTO DEL MANUALE QUALITÀ. È FATTA RISERVA DA TUTTI I DIRIGENTI PERMANENTI DA
 BREVETTI O MODELLI.
 COPIING OF THIS DOCUMENT AND GIVING IT TO OTHERS AND THE USE OF COMMUNICATION OF THE CONTENTS THEREOF,
 WITHOUT THE WRITTEN PERMISSION OF WABCO, IS PROHIBITED. ALL RIGHTS ARE RESERVED IN THE EVENT OF THE
 MISUSE AND RESULT IN A LIABILITY TO THE PAYMENT OF DAMAGES. THIS DOCUMENT IS THE SUBJECT OF COPYRIGHT.
 GRANT OF PATENT OR REGISTRATION OF A UTILITY MODEL OR DESIGN.
 TOUTE COMMUNICATION OU REPRODUCTION DE CE DOCUMENT, TOUTE EXPLOITATION OU COMMUNICATION DE SON CONTE-
 NUT, SANS LA PERMISSE ÉCRITE DE WABCO, EST INTERDITE. IL EST FERMEMENT DÉTERRÉ D'UTILISER, DE COMMUNIQUER
 INDUSTRIELLE RÉSERVÉES, NOTAMMENT EN MATIÈRE DE BREVETS ET DE MODÈLES.
 WEITERERBE SOWIE VERWEIDUNG DIESER UNTERSCHREIBUNG UND MITTEILUNG DERES INHALTS NICHT
 NACHDRUCKEN ODER WEITERGEBEN ODER VERWENDUNG DERES FÜR ANDERE ZWECKE ODER FÜR ANDERE ZWECKE
 MISBRÄUCH DAR LAD VERPFLICHTEN ZU SCHÄDENERSATZ. ALLE RECHTE FÜR DEN FALL DER PATENTIERUNG ODER
 GEBRAUCHSMUSTER-EINTRAGUNG VORBEHALTEN.



- 1** SUPPLY
VORRAT
ALIMENTATION
ALIMENTAZIONE
- 21** DELIVERY PRESSURE
AUSGESTEUERTER DRUCK
PRESSION DELIVREE
PRESSIONE EROGATA
- 22** OUTPUT SUPPLY [Ⓐ]
AUSGANG VORRAT
SORTIE ALIMENTATION
USCITA ALIMENTAZIONE
- 3** EXHAUST
ENTLUEFTUNG
ECHAPPEMENT
SCARICO
- 4** CONTROL PRESSURE
STEUERDRUCK
PRESSION DE COMMANDE
PRESSIONE DI COMANDO

MEDIUM: AIR
 MEDIUM: LUFT
 FLUIDE: AIR
 FLUIDO: ARIA

THERMAL RANGE OF APPLICATION:
 THERMISCHER ANWENDUNGSBEREICH: -40° ... +80° C
 GAMME D'APPLICATION THERMIQUE:
 CAMPO DI APPLICAZIONE TERMICA:

SUPPLY PRESSURE: [Ⓓ]
 VORRATSDRUCK: MAX. p_e = 13 bar
 PRESSION D'ALIMENTATION:
 PRESSIONE DI ALIMENTAZIONE:

PERMISSIBLE INSTALLATION
 ZULAESSIGE EINBAULAGE α = ±90°
 POSITION D'INSTALLATION ADMISE
 POSIZIONE DI MONTAGGIO AMMESSA

TORQUE FOR CONNECTIONS:
 ANZUGSMOMENT FUER EINSCHRAUBSTUTZEN: M16x1.5: M_{max.} = 34 Nm
 COUPLE DE SERRAGE DES RACCORDS: M22x1.5: M_{max.} = 53 Nm
 COPPIA DI SERRAGGIO DEI RACCORDI: *M22x1.5: M_{max.} = 25 Nm

WORKING PRESSURE: [Ⓓ] MAX. p_e = 10 bar
 BETRIEBSDRUCK: TEMPORARILY: MAX. p_e = 13 bar
 PRESSION DE SERVICE: KURZZEITIG:
 PRESSIONE D'ESERCIZIO: BREVE TEMPO SOLO:

GENERAL SPECIFICATION: JED-334		CADAM-DRAWING COPYRIGHT		WABCO	
FURTHER TECHNICAL DATA:		DATE: 92-09-08		SIGNATURE: KRETER	
DOC. CODE: SHEET: TO:		DRAWN: 92-09-08		CHECKED: 92-09-23 FAUCK/KIEL/DEIKE	
GENERAL TOLERANCES		STANDARDIZATION: 92-09-25 PANTZER		PRODUCT IDENTIFICATION NO. 973 011 050 0	
CLASS 1)	RANGE OF NOMINAL DIMENSIONS (± mm)			MASS	SCALE
	≤50	>50 ≤180	>180 ≤400	>400	1:1 (2:1)
FINE	0,5	1,0	1,5	2,0	0,9 KG
MEDIUM X	1,0	2,0	3,0	4,0	
COARSE	2,0	3,5	5,0	6,5	SIZE
TAPPED HOLES ACC. ISO 4039 / JED-182		052154	3×A	93-03-10	T.R.I.
1) TOLERANCE CLASS APPLIED CROSSMARKED		DCN-NO.	REV.	DATE	A 2
		100mm		SHAPE CODE	
		EXPERT CODE 744		REPLACEMENT FOR	
		PRODUCT TYPE 02			