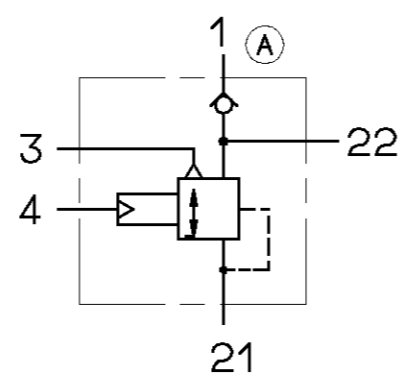
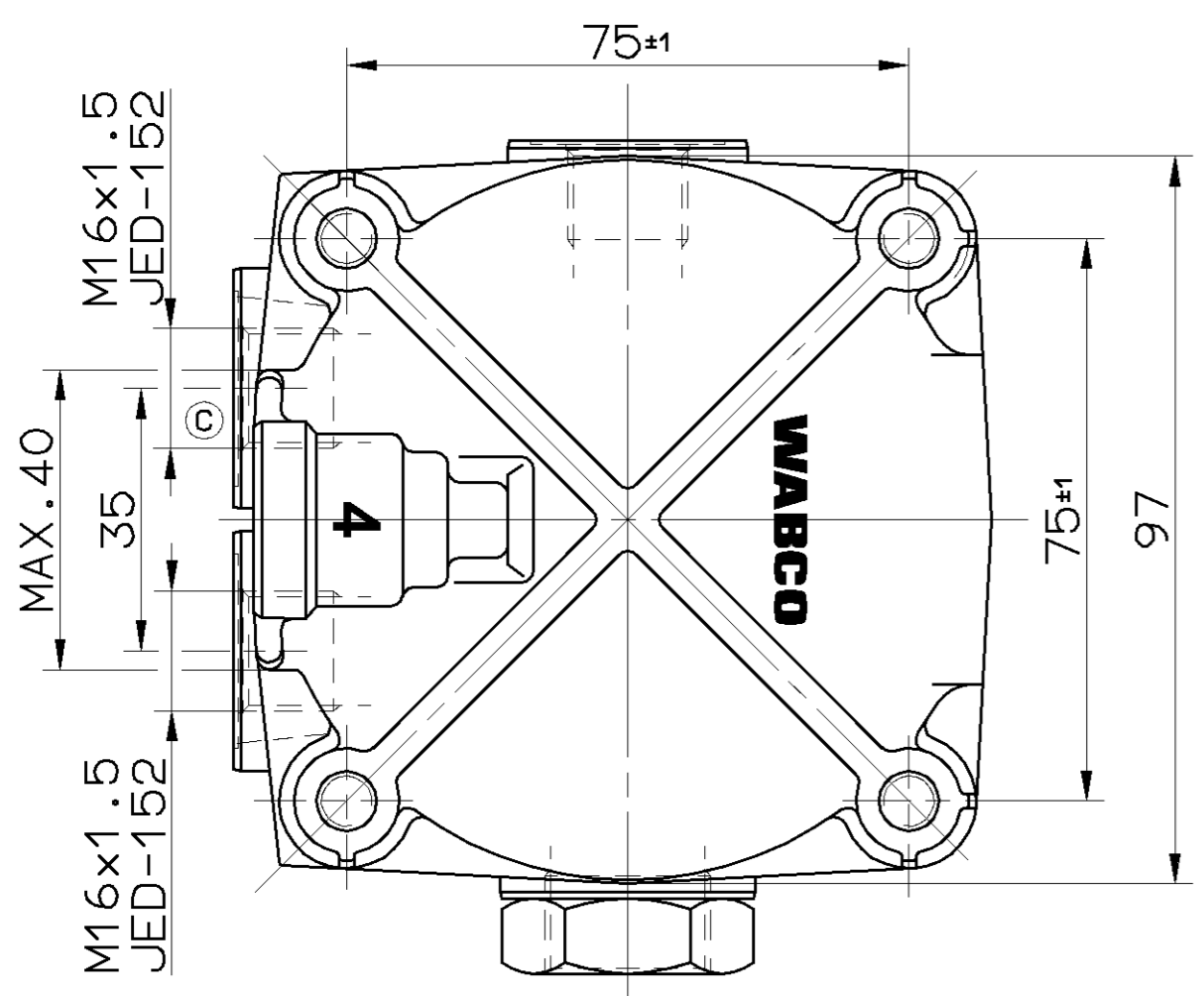
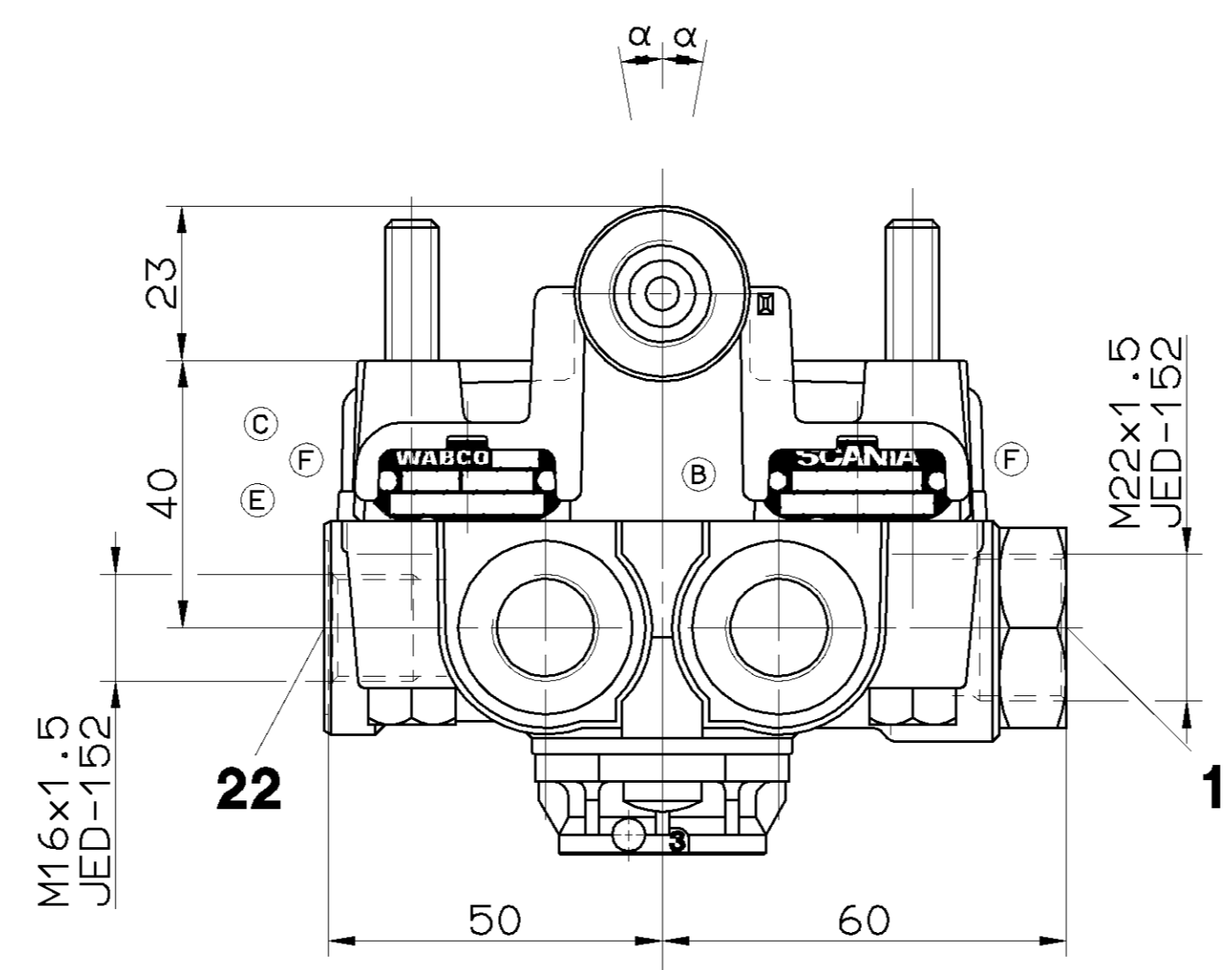
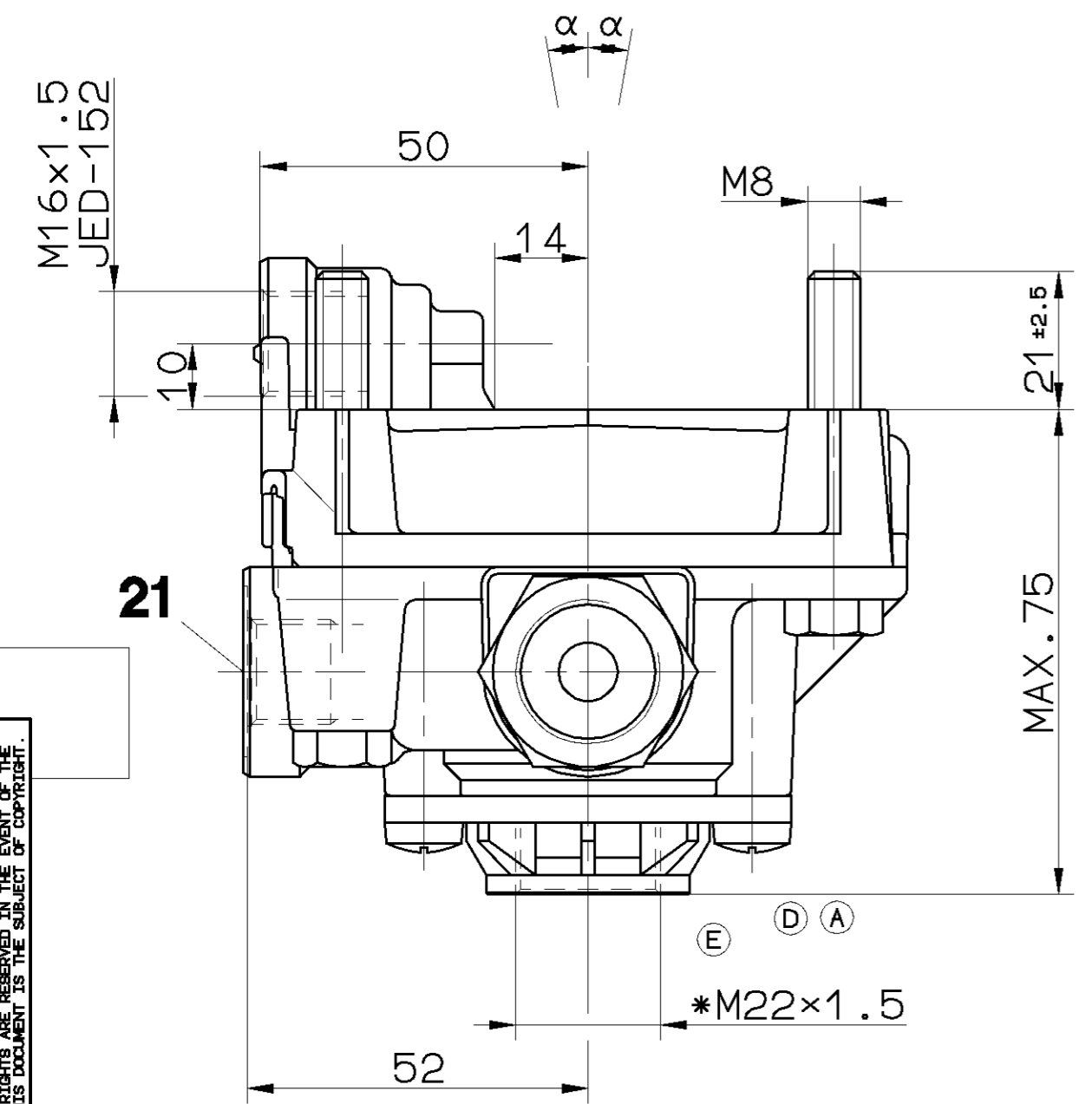


NON È PERMESSO CONSERVARE A TERZI O RIPRODURRE QUESTO DOCUMENTO. NE UTILIZZARE IL CONTENUTO O RES-  
 ARIARE E COMMERCIARE IL RENDIMENTO DEL MANE QUALITÀ. È FATTA RISERVA DA TUTTI I DIRITTI LEGGERI E GIURIDICI.  
 BREVIETI O MODELLI.  
 COPIING OF THIS DOCUMENT AND GIVING IT TO OTHERS AND THE USE OF COMMUNICATION OF THE CONTENTS THEREOF,  
 WITHOUT THE WRITTEN PERMISSION OF WABCO, IS STRICTLY PROHIBITED. ALL RIGHTS ARE RESERVED IN THE EVENT OF THE  
 ABUSE AND RESULT IN A LIABILITY TO THE PAYMENT OF DAMAGES. ALL RIGHTS ARE RESERVED IN THE EVENT OF THE  
 MISRACHAU DAR LAD VERPFLICHTEN ZU SCHADENSZAHLUNG. ALLE RECHTE FÜR DEN FALL DER PATENTVERTEILUNG ODER  
 GEWALDSMISBRUCH-EINTRAGUNG VORBEHALTEN.  
 TOUTE COMMUNICATION OU REPRODUCTION DE CE DOCUMENT, TOUTE EXPLOITATION OU COMMUNICATION DE SON CONTE-  
 NANT À TROISIÈME SANS L'AUTORISATION ÉCRITE DE WABCO, EST STRICTEMENT INTERDITE. TOUS DROITS DE PROPRIÉTÉ  
 INDUSTRIELLE RÉSERVÉS, NOTAMMENT EN MATIÈRE DE BREVETS ET DE MODÈLES.  
 WEITERE BE SOUVE VERWERTUNG ODER NUTZUNG, VERBREITUNG UND MITTEILUNG DES INHALTS NICHT  
 ZULASSEN. DIESER VERBODEN BEZÜGLICH DER VERWENDEUNG VON WABCO-MATERIALIEN ODER WABCO-PRODUKTEN  
 MISRACHAU DAR LAD VERPFLICHTEN ZU SCHADENSZAHLUNG. ALLE RECHTE FÜR DEN FALL DER PATENTVERTEILUNG ODER  
 GEWALDSMISBRUCH-EINTRAGUNG VORBEHALTEN.



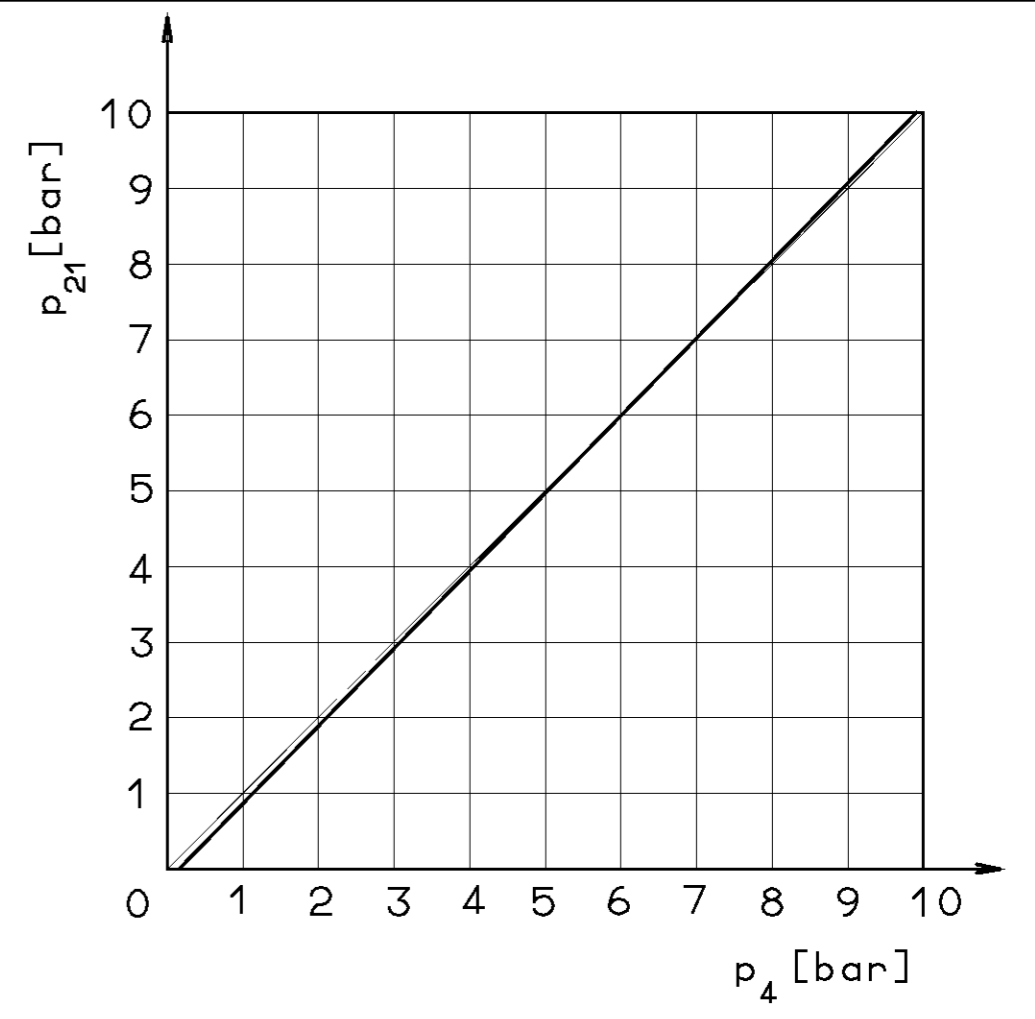
- 1** SUPPLY  
VORRAT  
ALIMENTATION  
ALIMENTAZIONE
- 21** DELIVERY PRESSURE  
AUSGESTEUERTER DRUCK  
PRESSION DELIVREE  
PRESSIONE EROGATA
- 22** OUTPUT SUPPLY <sup>Ⓐ</sup>  
AUSGANG VORRAT  
SORTIE ALIMENTATION  
USCITA ALIMENTAZIONE
- 3** EXHAUST  
ENTLUEFTUNG  
ECHAPPEMENT  
SCARICO
- 4** CONTROL PRESSURE  
STEUERDRUCK  
PRESSION DE COMMANDE  
PRESSIONE DI COMANDO

MEDIUM: AIR  
 MEDIUM: LUFT  
 FLUIDE: AIR  
 FLUIDO: ARIA

THERMAL RANGE OF APPLICATION:  
 THERMISCHER ANWENDUNGSBEREICH: -40° ... +80° C  
 GAMME D'APPLICATION THERMIQUE:  
 CAMPO DI APPLICAZIONE TERMICA:

SUPPLY PRESSURE: <sup>Ⓓ</sup>  
 VORRATSDRUCK: MAX. p<sub>e</sub> = 13 bar  
 PRESSION D'ALIMENTATION:  
 PRESSIONE DI ALIMENTAZIONE:

PERMISSIBLE INSTALLATION  
 ZULAESSIGE EINBAULAGE  
 POSITION D'INSTALLATION ADMISE  
 POSIZIONE DI MONTAGGIO AMMESSA  
 α = ±90°



TORQUE FOR CONNECTIONS:  
 ANZUGSMOMENT FUER EINSCHRAUBSTUTZEN: M16x1.5: M<sub>max.</sub> = 34 Nm  
 COUPLE DE SERRAGE DES RACCORDS: M22x1.5: M<sub>max.</sub> = 53 Nm  
 COPPIA DI SERRAGGIO DEI RACCORDI: \*M22x1.5: M<sub>max.</sub> = 25 Nm

WORKING PRESSURE: <sup>Ⓓ</sup>  
 BETRIEBSDRUCK: MAX. p<sub>e</sub> = 10 bar  
 PRESSION DE SERVICE:  
 PRESSIONE D'ESERCIZIO:

TEMPORARILY:  
 KURZZEITIG: MAX. p<sub>e</sub> = 13 bar  
 DE COURTE DUREE:  
 BREVE TEMPO SOLO:

|  |                                      |                                   |           |  |                 |             |
|--|--------------------------------------|-----------------------------------|-----------|--|-----------------|-------------|
| GENERAL SPECIFICATION: JED-334         |                                      | CADAM-DRAWING COPYRIGHT           |           | <b>WABCO</b>                             |                 |             |
| FURTHER TECHNICAL DATA:                |                                      | DATE: 92-09-08                    |           | SIGNATURE: KRETER                        |                 |             |
| DOC. CODE: SHEET: TO                   |                                      | DRAWN: 92-09-08                   |           | CHECKED: 92-09-23 FAUCK/KIHEL/DEIKE      |                 |             |
| GENERAL TOLERANCES                     |                                      | STANDARDIZATION: 92-09-25 PANTZER |           | PRODUCT IDENTIFICATION NO. 973 011 050 0 |                 |             |
| CLASS 1)                               | RANGE OF NOMINAL DIMENSIONS ( ± mm ) |                                   |           | MASS                                     | SCALE           |             |
|  | ≤50                                  | > 50 ≤180                         | >180 ≤400 | >400                                     | 1:1 (2:1)       |             |
| FINE                                   | 0,5                                  | 1,0                               | 1,5       | 2,0                                      | 0,9 KG          |             |
| MEDIUM X                               | 1,0                                  | 2,0                               | 3,0       | 4,0                                      |                 | SIZE T.R.I. |
| COARSE                                 | 2,0                                  | 3,5                               | 5,0       | 6,5                                      |                 |             |
| TAPPED HOLES ACC. ISO 4039 / JED-152   |                                      | 052154                            | 3×A       | 93-03-10                                 | SHAPE CODE      |             |
| 1) TOLERANCE CLASS APPLIED CROSSMARKED |                                      | DCN-NO.                           | REV.      | DATE                                     | REPLACEMENT FOR |             |

1899/012/204\_93 605/603