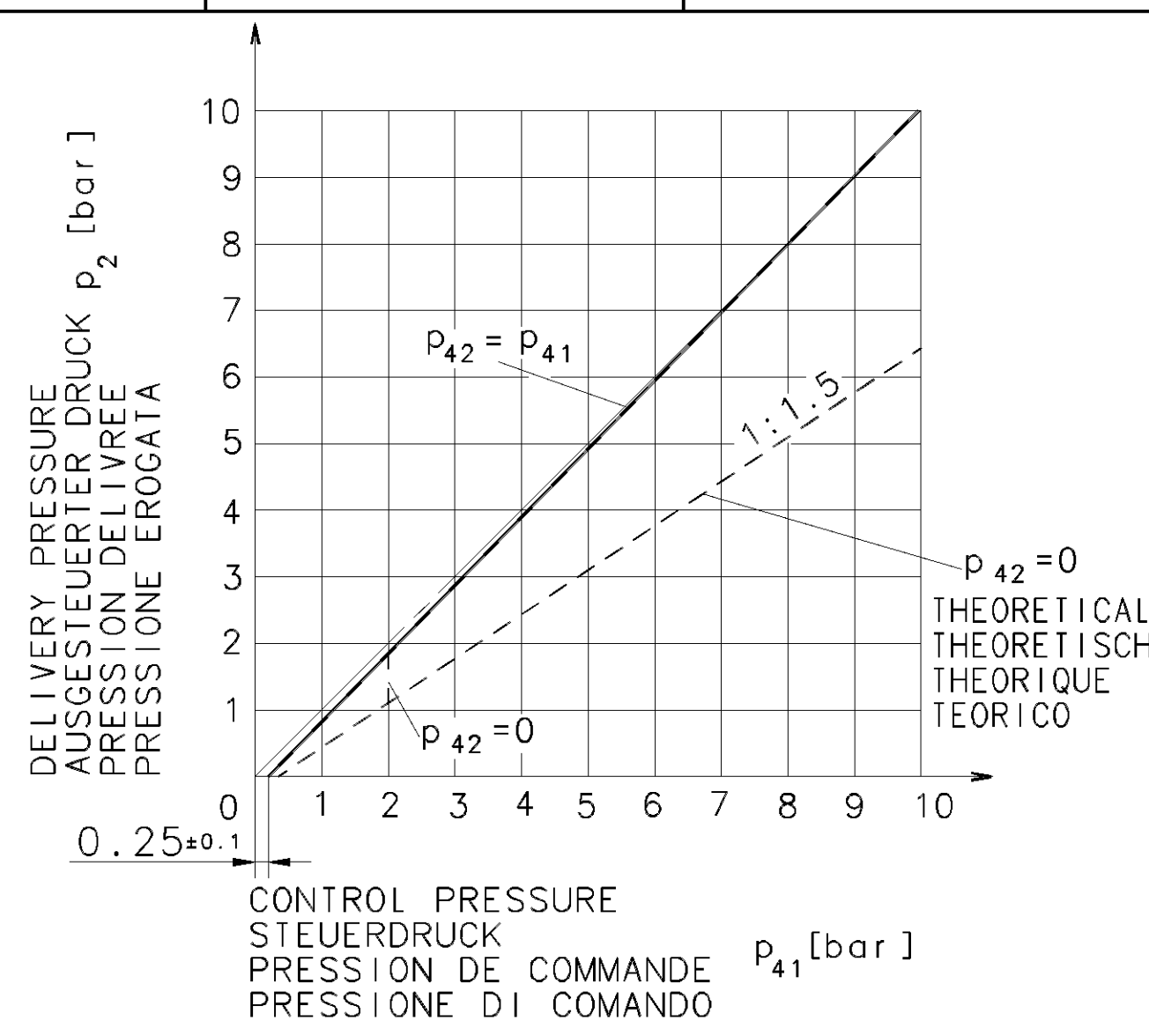
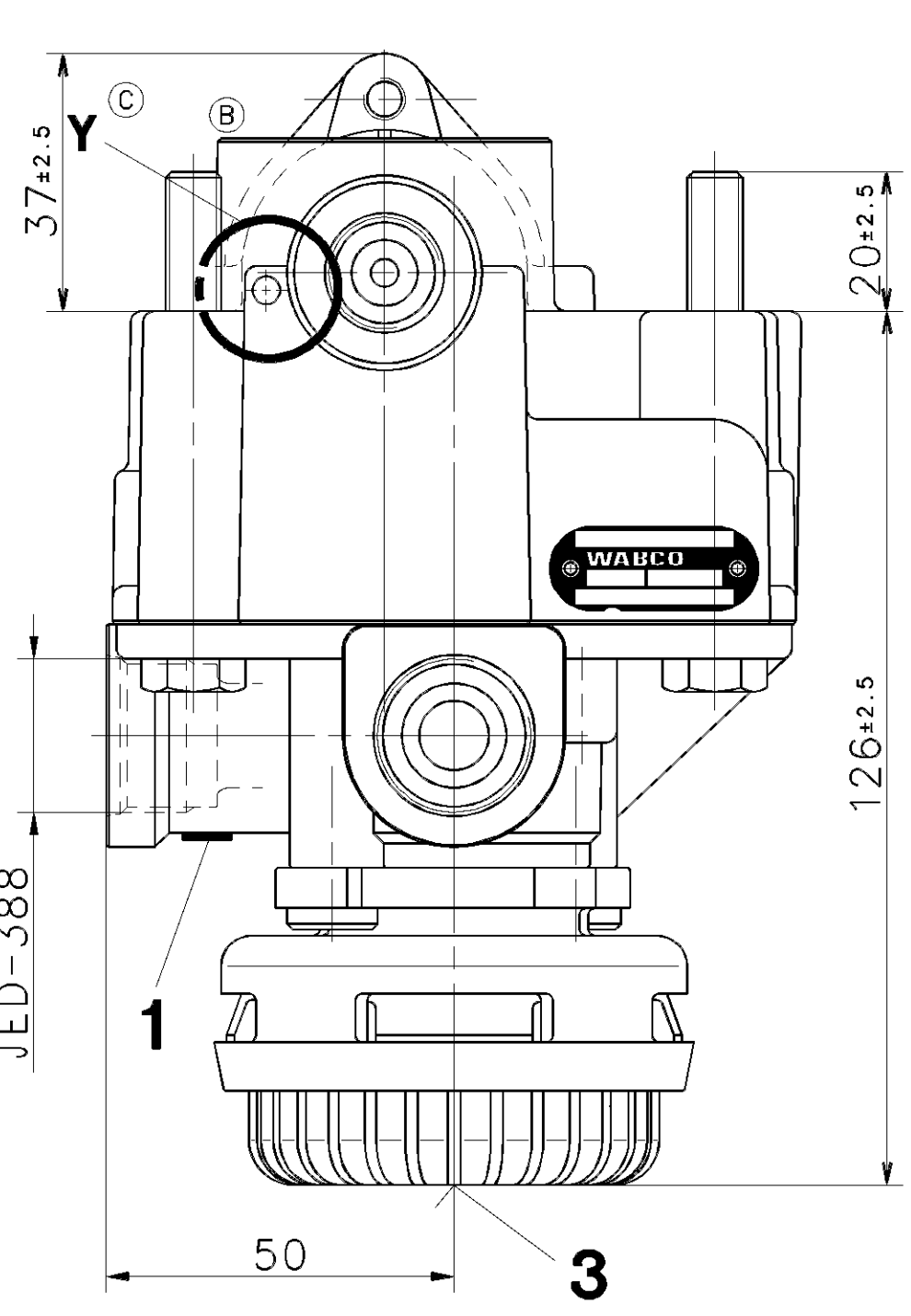
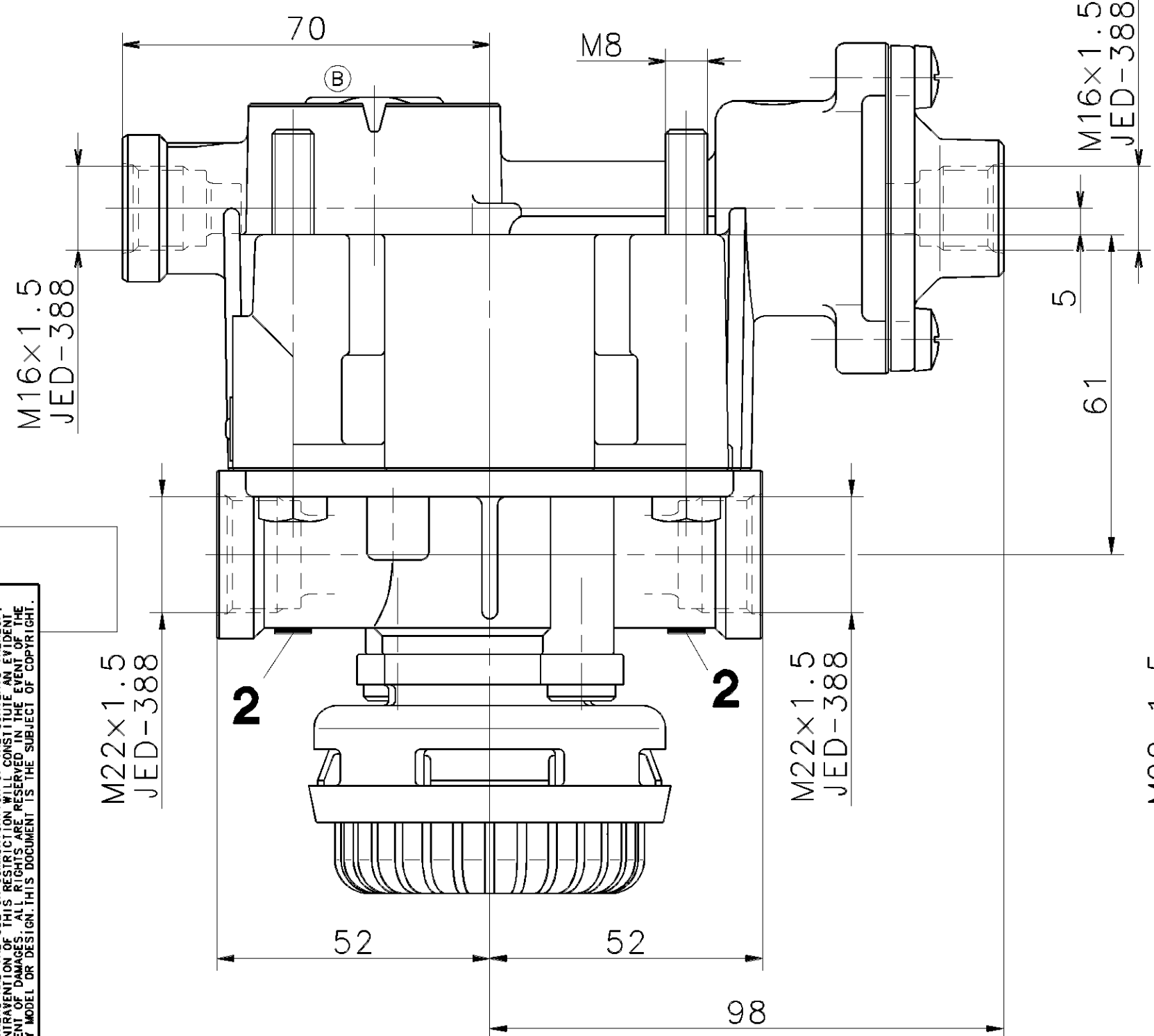


NON È PERMESSO CONSEGNARE A TERZI O RIPRODURRE QUESTO DOCUMENTO. NE UTILIZZARNE IL CONTENUTO O RENDERSI RESPONSABILI PER QUALSIASI DANNO SUBITO O POSTERIORE. È FATTA RISERVA DI TUTTI I DIRITTI DERIVANTI DA BREVETTI O MODELLI. COPIING OF THIS DOCUMENT AND ITS USE OR COMMUNICATION OF ITS CONTENTS THEREOF, WITHOUT THE WRITTEN PERMISSION OF WABCO, IS PROHIBITED. ALL RIGHTS ARE RESERVED IN THE EVENT OF THE GRANT OF PATENT OR REGISTRATION OF A UTILITY MODEL OR DESIGN. THIS DOCUMENT IS THE SUBJECT OF COPYRIGHT.



MARKING
 KENNZEICHNUNG WEISS (B)
 MARQUAGE BLANC (B)
 CONTRASSEGNO BIANCO

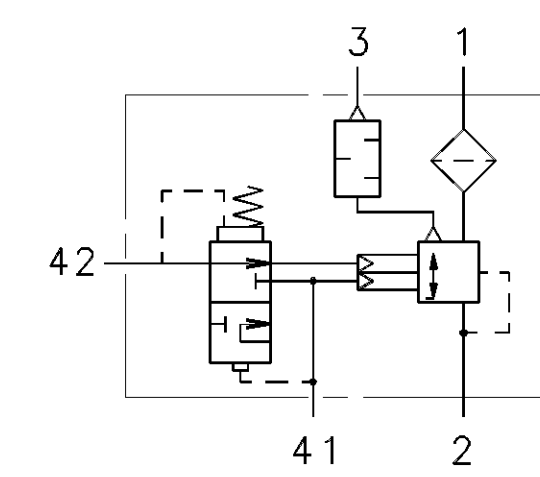
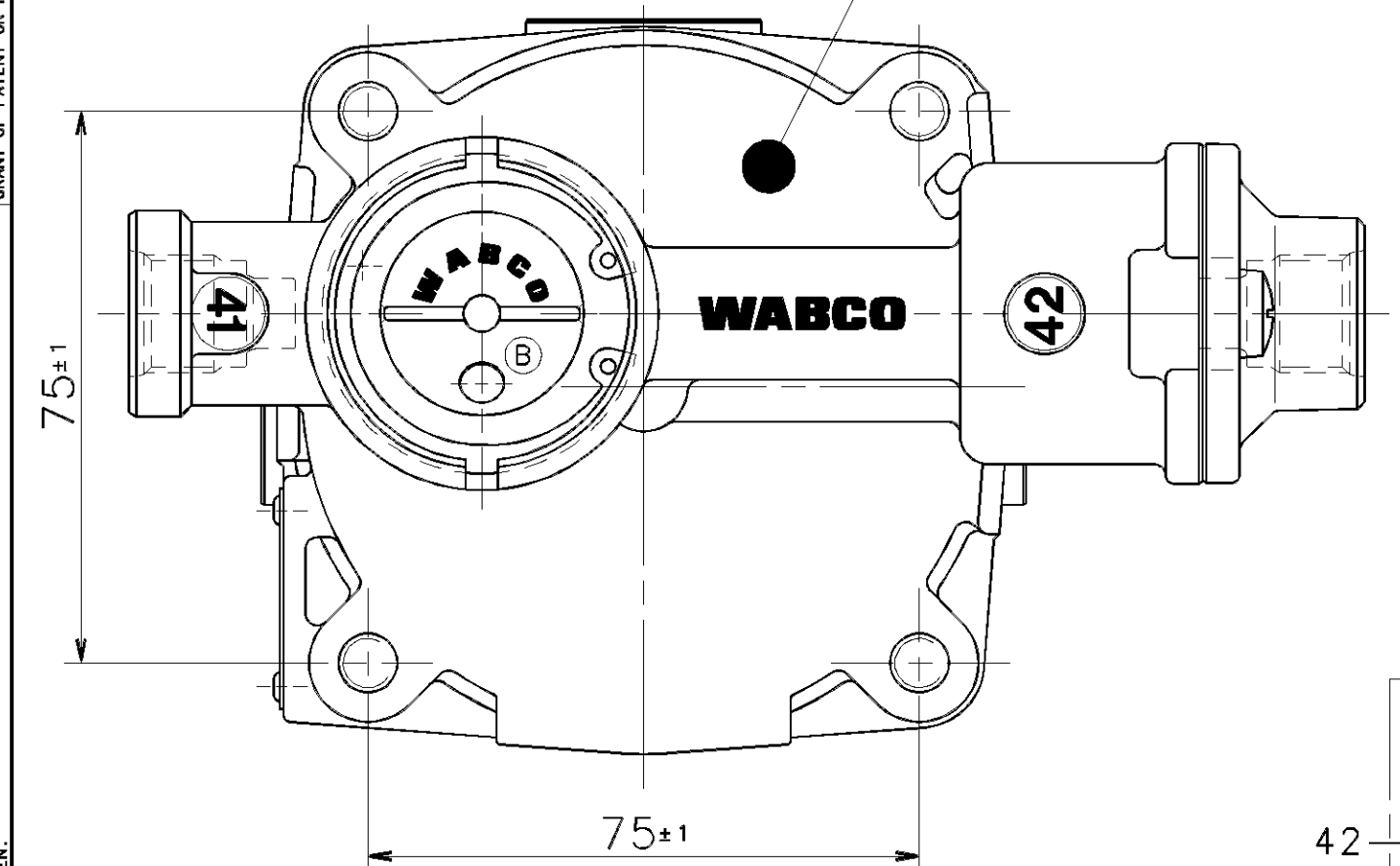
DESIGN PERMISSIBLE
 AUSFUEHRUNG ZULAESSIG
 REALISATION ADMISE
 DISEGNO AMMISSIBILE

MEDIUM: AIR
 MEDIUM: LUFT
 FLUIDE: AIR
 FLUIDO: ARIA

PERMISSIBLE INSTALLATION
 ZULAESSIGE EINBAULAGE ±90°
 POSITION D'INSTALLATION ADMISE
 POSIZIONE DI MONTAGGIO AMMESSA

THERMAL RANGE OF APPLICATION:
 THERMISCHER ANWENDUNGSBEREICH: -40° ... +80° C
 GAMME D'APPLICATION THERMIQUE:
 CAMPO DI APPLICAZIONE TERMICA:

- 1** SUPPLY VORRAT ALIMENTATION MAX. p_e = 13bar ALIMENTAZIONE
- 2** DELIVERY PRESSURE AUSGESTEUERTER DRUCK PRESSION DELIVREE PRESSIONE EROGATA
- 3** EXHAUST ENTLUEFTUNG ECHAPPEMENT SCARICO
- 41** CONTROL PRESSURE STEUERDRUCK MAX. p_e = 10bar KURZZEITIG: MAX. p_e = 13bar
- 42** PRESSION DE COMMANDE PRESSIONE DI COMANDO DE COURTE DUREE: BREVE TEMPO SOLO:



TORQUE FOR CONNECTIONS:
 ANZUGSMOMENT FUER EINSCHRAUBSTUTZEN: M16x1.5: M_{max.} = 34 Nm
 COUPLE DE SERRAGE DES RACCORDS: M22x1.5: M_{max.} = 53 Nm
 COPPIA DI SERRAGGIO DEI RACCORDI:

GENERAL SPECIFICATION:		JED-334	
FURTHER TECHNICAL DATA:			
DOC. CODE:	SHEET:	TO	
GENERAL TOLERANCES			
CLASS 1)	RANGE OF NOMINAL DIMENSIONS (± mm)		
	≤50	>50 ≤180	>180 ≤400
FINE	0,5	1,0	1,5
MEDIUM	1,0	2,0	3,0
COARSE	2,0	3,5	5,0
TAPPED HOLES ACC. ISO-4039 / JED-162 JED-388			
1) TOLERANCE CLASS APPLIED CROSSMARKED		DCN-NO.	REV.

CADAM-DRAWING COPYRIGHT		WABCO	
DATE	SIGNATURE	RELAY VALVE	
96-06-21	MAURER	RELAISVENTIL	
96-06-21	MENZE	VALVE RELAIS	
STANDARDIZATION:		VALVOLA RELIE	
MASS	SCALE	PRODUCT IDENTIFICATION NO.	
1.3	1:1	973 011 106 0	
KG	T.R.I.	DOC. CODE	SHEET
SIZE		605	1/1
A 2	140	REPLACEMENT FOR	