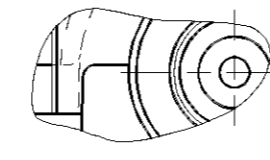
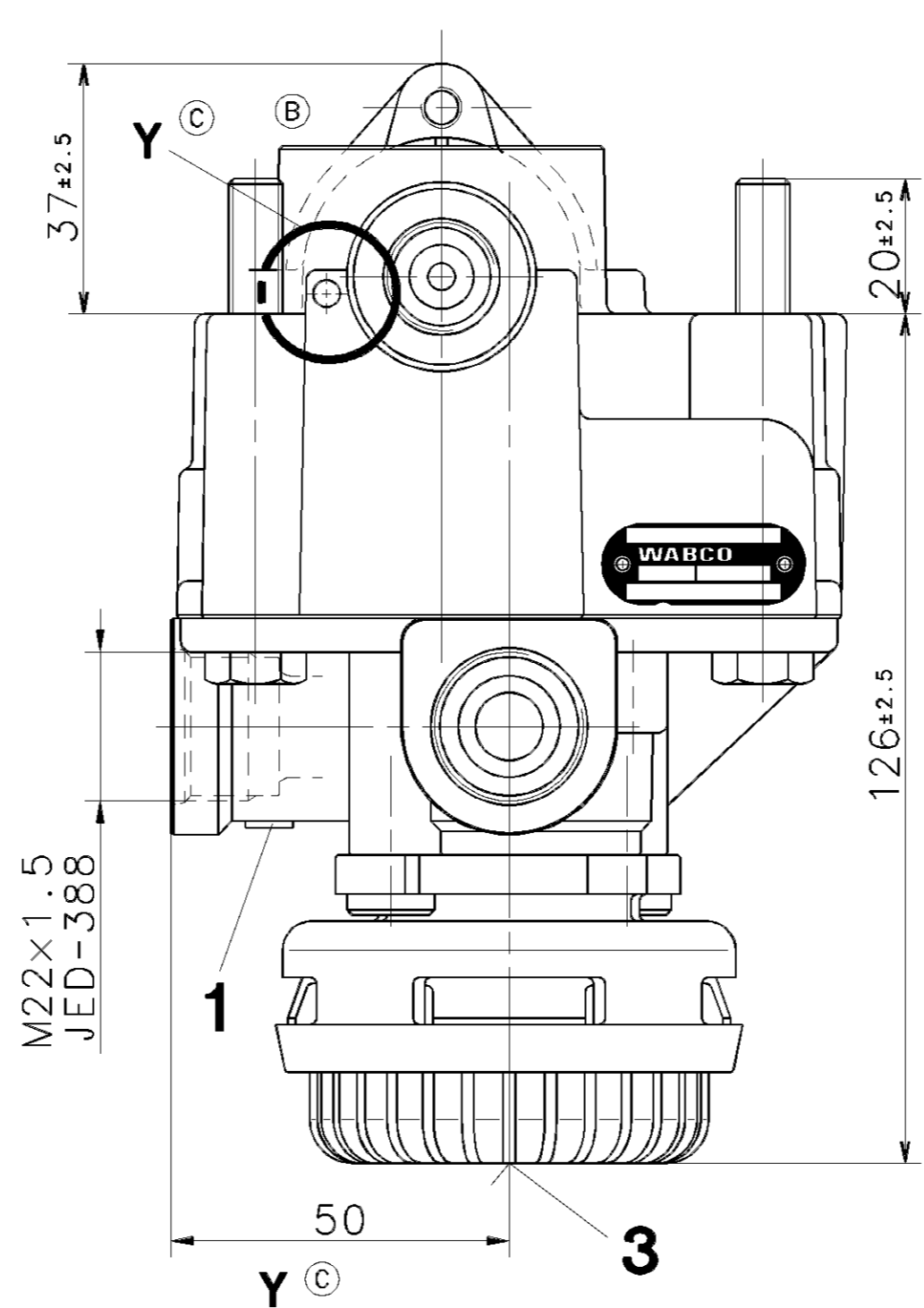
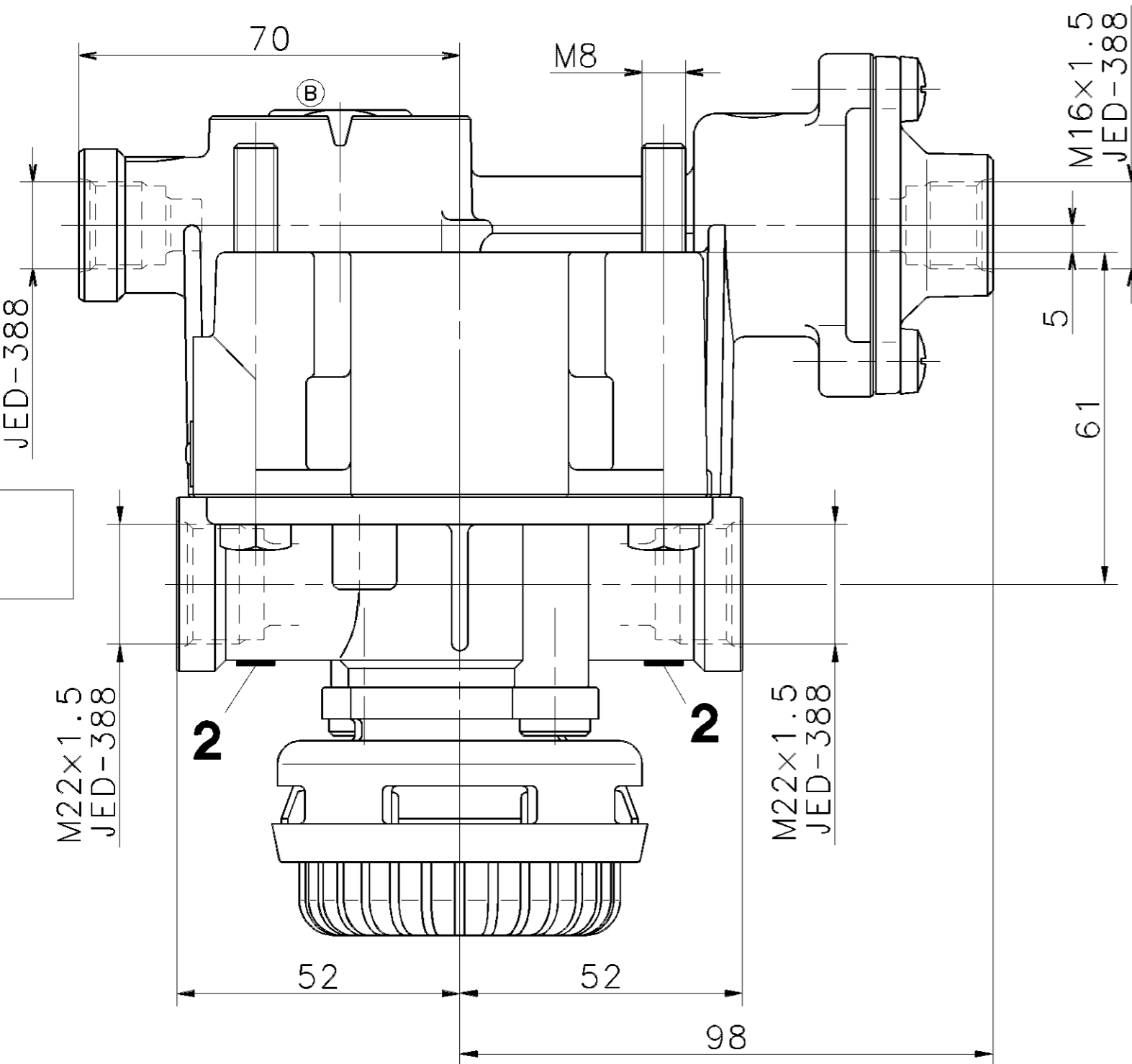
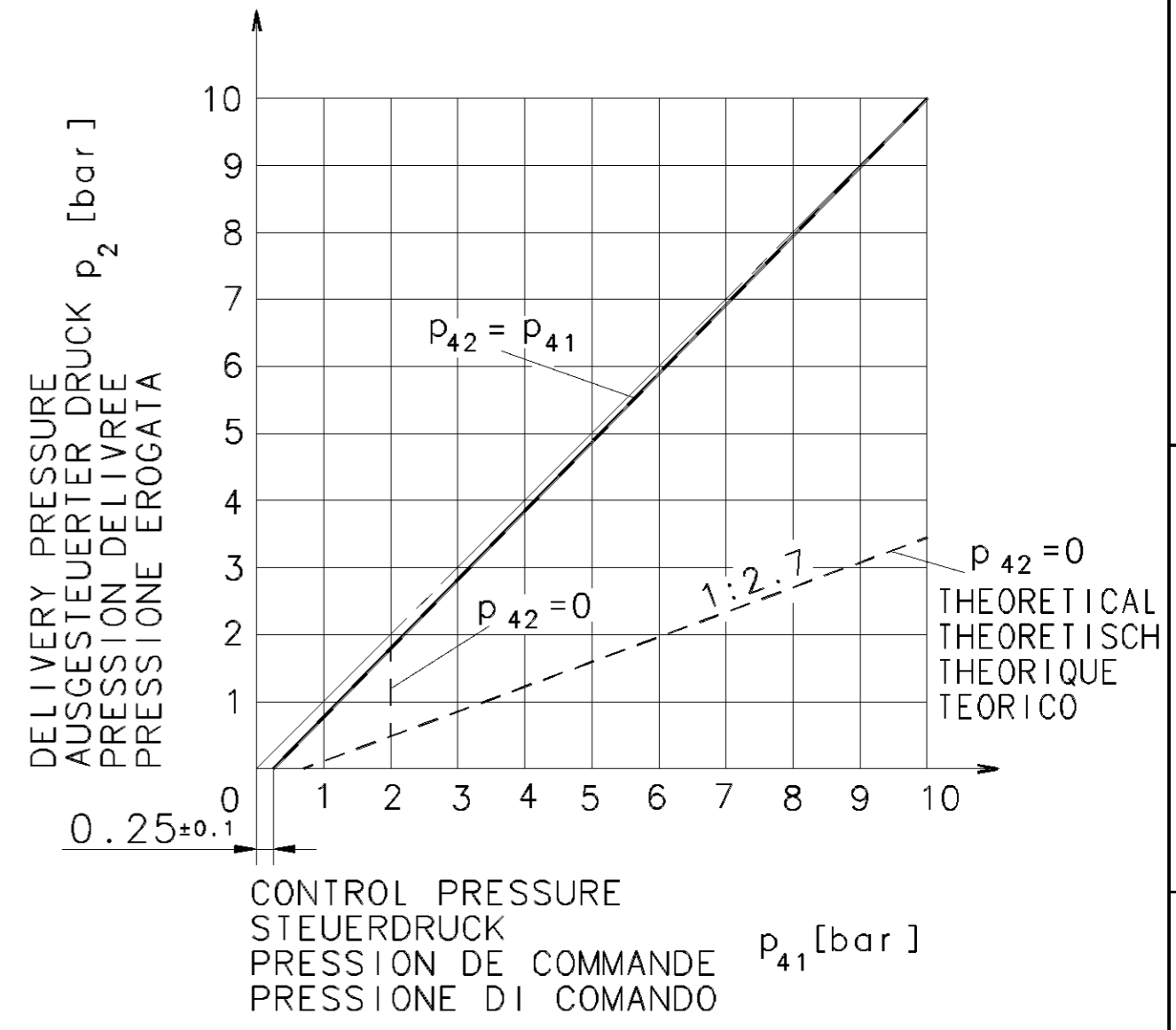


NON È PERMESSO CONSERVARE A TERZI O RIPRODURRE QUESTO DOCUMENTO. NE UTILIZZARNE IL CONTENUTO O RENDERSI RESPONSABILI PER QUALSIASI DANNO SUBITO O POSTERIORE. È FATTA RISERVA DI TUTTI I DIRITTI DERIVANTI DA BREVETTI O MODELLI. COPIING OF THIS DOCUMENT AND ITS USE OR COMMUNICATION OF ITS CONTENTS THEREOF, WITHOUT THE WRITTEN PERMISSION OF WABCO, IS PROHIBITED. ALL RIGHTS ARE RESERVED IN THE EVENT OF THE GRANT OF PATENT OR REGISTRATION OF A UTILITY MODEL OR DESIGN. THIS DOCUMENT IS THE SUBJECT OF COPYRIGHT.

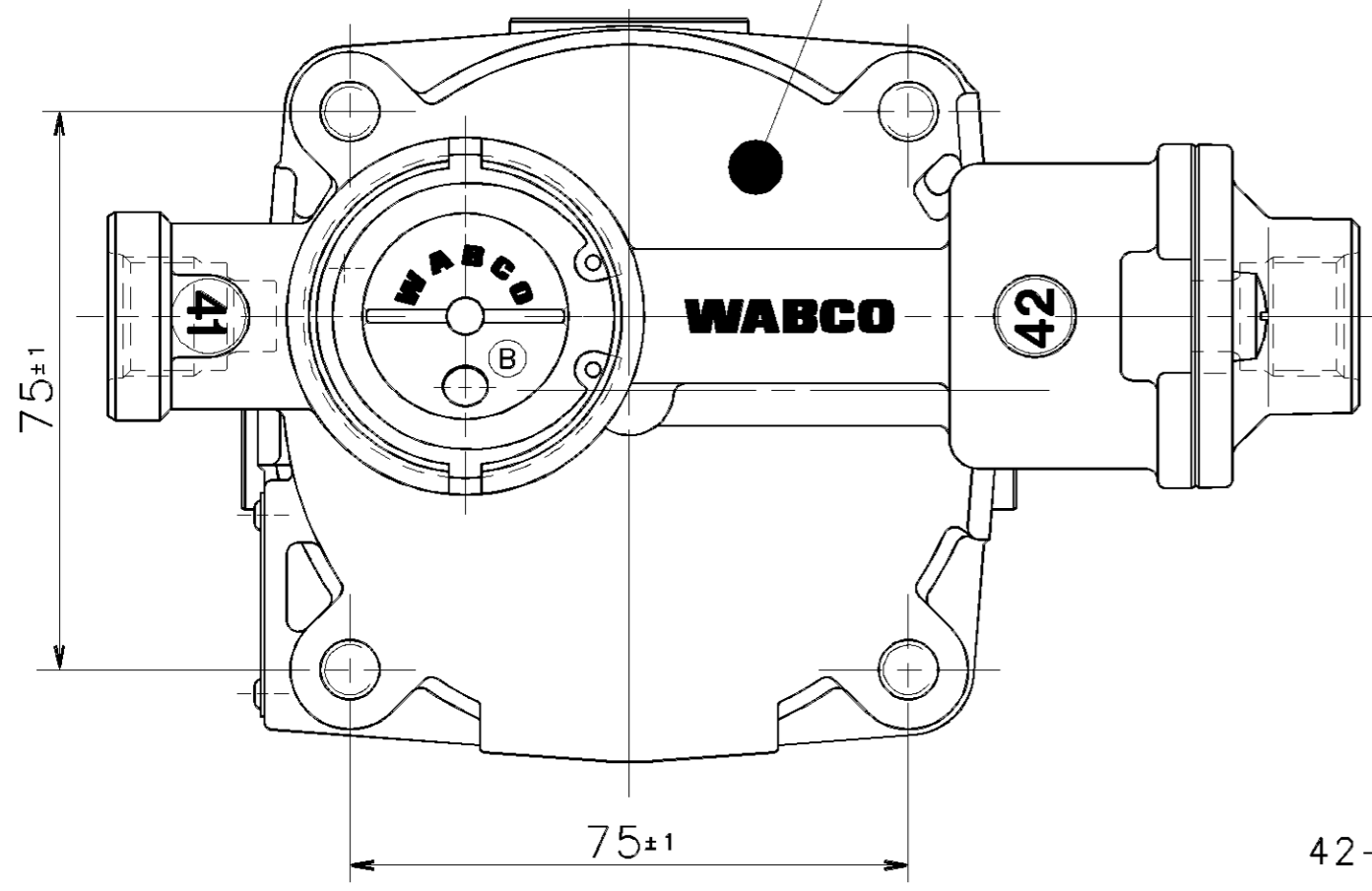


DESIGN PERMISSIBLE
 AUSFUEHRUNG ZULAESSIG
 REALISATION ADMISE
 DISEGNO AMMISSIBILE



- 1** SUPPLY VORRAT ALIMENTATION MAX. $p_e = 13\text{bar}$ ALIMENTAZIONE
- 2** DELIVERY PRESSURE AUSGESTEUERTER DRUCK PRESSION DELIVREE PRESSIONE EROGATA
- 3** EXHAUST ENTLUEFTUNG ECHAPPEMENT SCARICO
- 41** CONTROL PRESSURE STEUERDRUCK MAX. $p_e = 10\text{bar}$ TEMPORARILY: KURZZEITIG: MAX. $p_e = 13\text{bar}$
- 42** PRESSION DE COMMANDE PRESSIONE DI COMANDO DE COURTE DUREE: BREVE TEMPO SOLO:

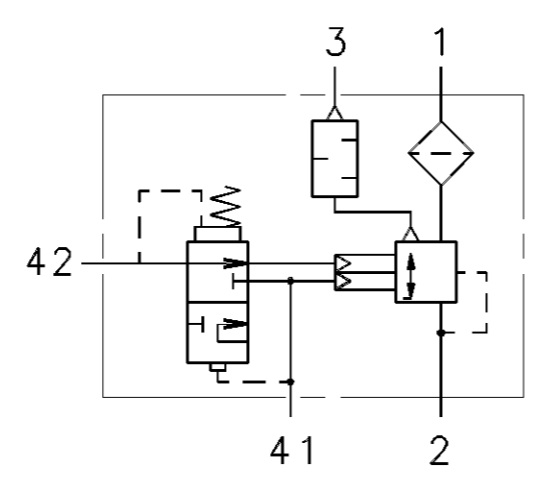
MARKING BLACK
 KENNZEICHNUNG SCHWARZ (B)
 MARQUAGE NOIR
 CONTRASSEGNO NERO



MEDIUM: AIR
 MEDIUM: LUFT
 FLUIDE: AIR
 FLUIDO: ARIA

PERMISSIBLE INSTALLATION
 ZULAESSIGE EINBAULAGE
 POSITION D'INSTALLATION ADMISE
 POSIZIONE DI MONTAGGIO AMMESSA ±90°

THERMAL RANGE OF APPLICATION:
 THERMISCHER ANWENDUNGSBEREICH:
 GAMME D'APPLICATION THERMIQUE: -40° ... +80° C
 CAMPO DI APPLICAZIONE TERMICA:



TORQUE FOR CONNECTIONS:
 ANZUGSMOMENT FUER EINSCHRAUBSTUTZEN: M16x1.5: $M_{max.} = 34\text{ Nm}$
 COUPLE DE SERRAGE DES RACCORDS: M22x1.5: $M_{max.} = 53\text{ Nm}$
 COPPIA DI SERRAGGIO DEI RACCORDI:

GENERAL SPECIFICATION: JED-334		CADAM-DRAWING COPYRIGHT		WABCO	
FURTHER TECHNICAL DATA:		DATE SIGNATURE		RELAY VALVE RELAISVENTIL VALVE RELAIS VALVOLA RELE	
DOC. CODE: SHEET: TO		DRAWN: 96-06-21 MAURER		PRODUCT IDENTIFICATION NO. 973 011 107 0	
GENERAL TOLERANCES		CHECKED: 96-06-21 MENZE		DOC. CODE SHEET 605 1/1	
RANGE OF NOMINAL DIMENSIONS (± mm)		STANDARDIZATION:		REPLACEMENT FOR	
CLASS 1)	≤50 >50 ≤180 >180 ≤400 >400	MASS SCALE 1.39 KG 1:1		SHAPE CODE	
FINE	0,5 1,0 1,5 2,0	TAPPED HOLES ACC. ISO-4039 / JED-162 JED-388		REPLACEMENT FOR	
MEDIUM X	1,0 2,0 3,0 4,0 ± 3'	070086 2xC 99-06-22		EXPERT CODE 744	
COARSE	2,0 3,5 5,0 6,5	066780 4xB 98-10-07		PRODUCT TYPE 02	
TOLERANCE CLASS APPLIED CROSSMARKED		DCN-NO. REV. DATE		100mm	
		062223 2xA 97-01-21			