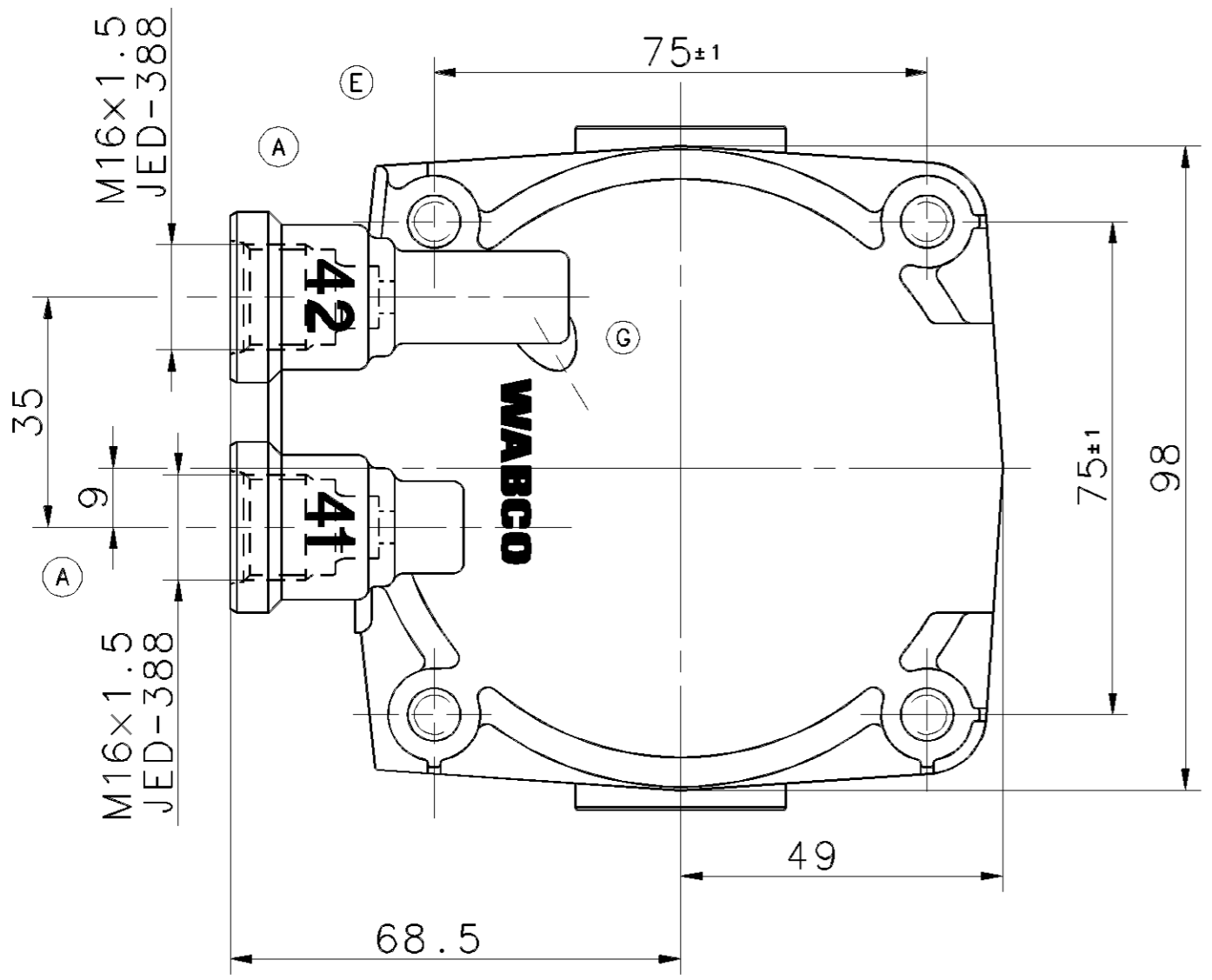
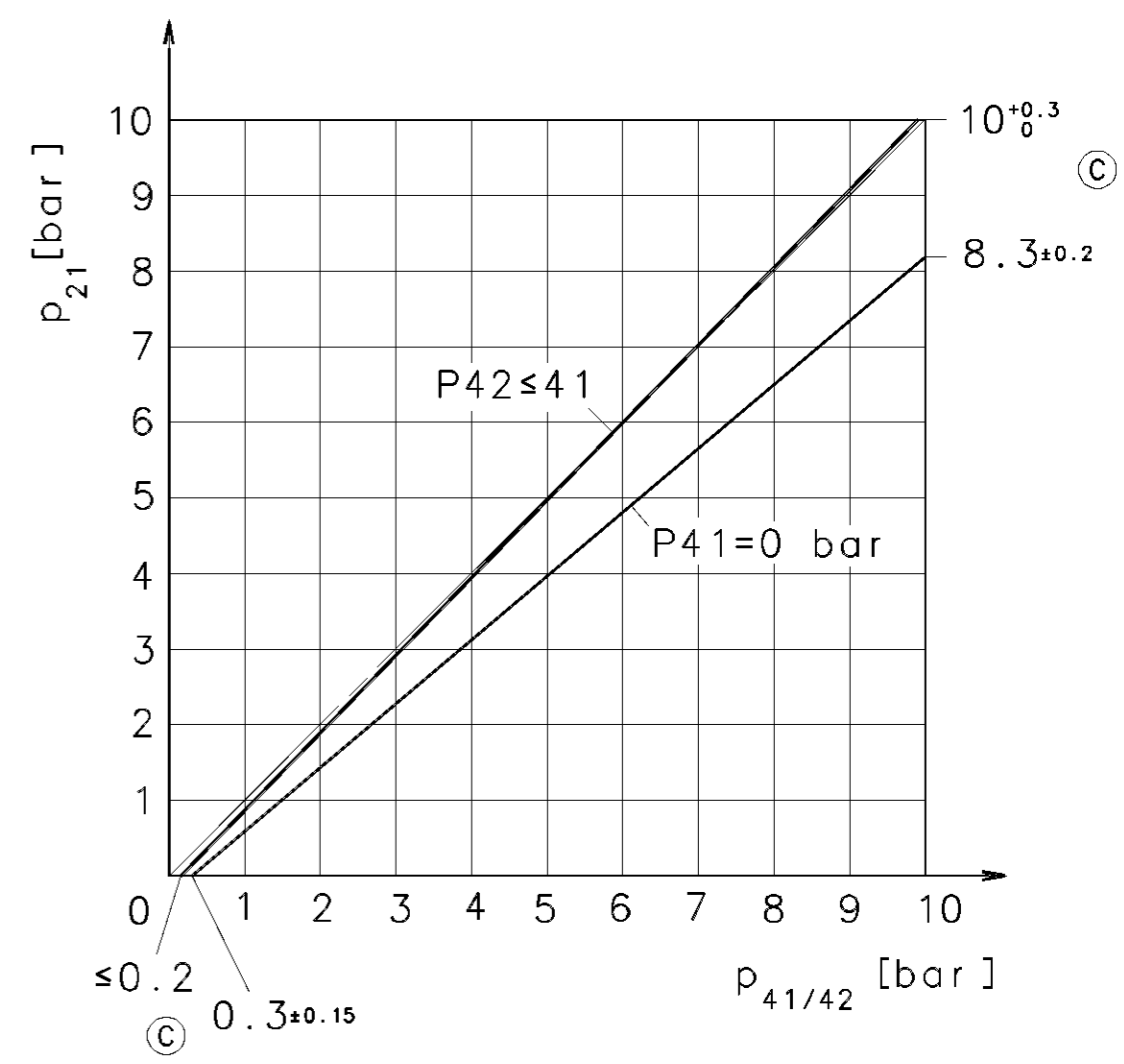
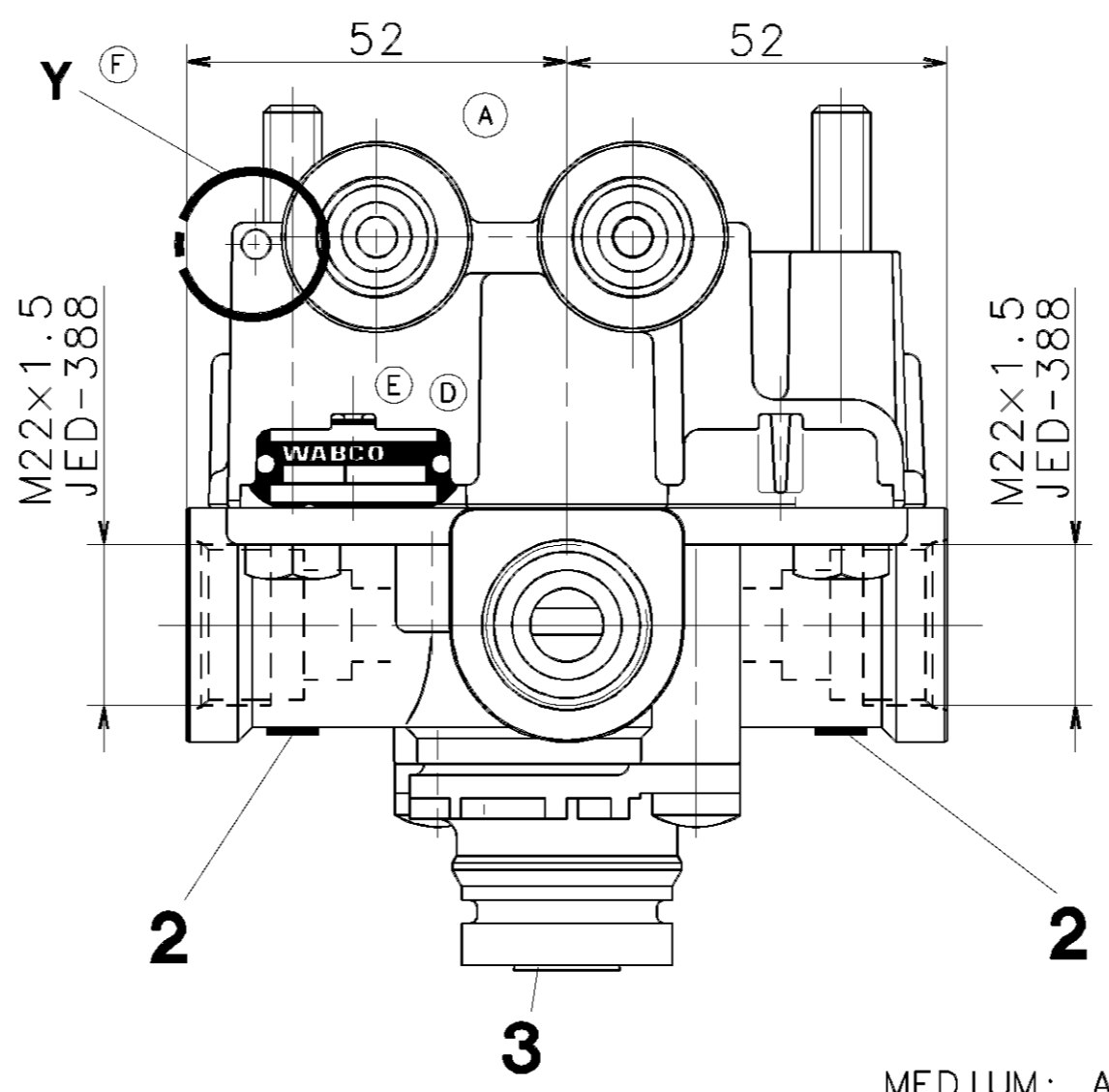
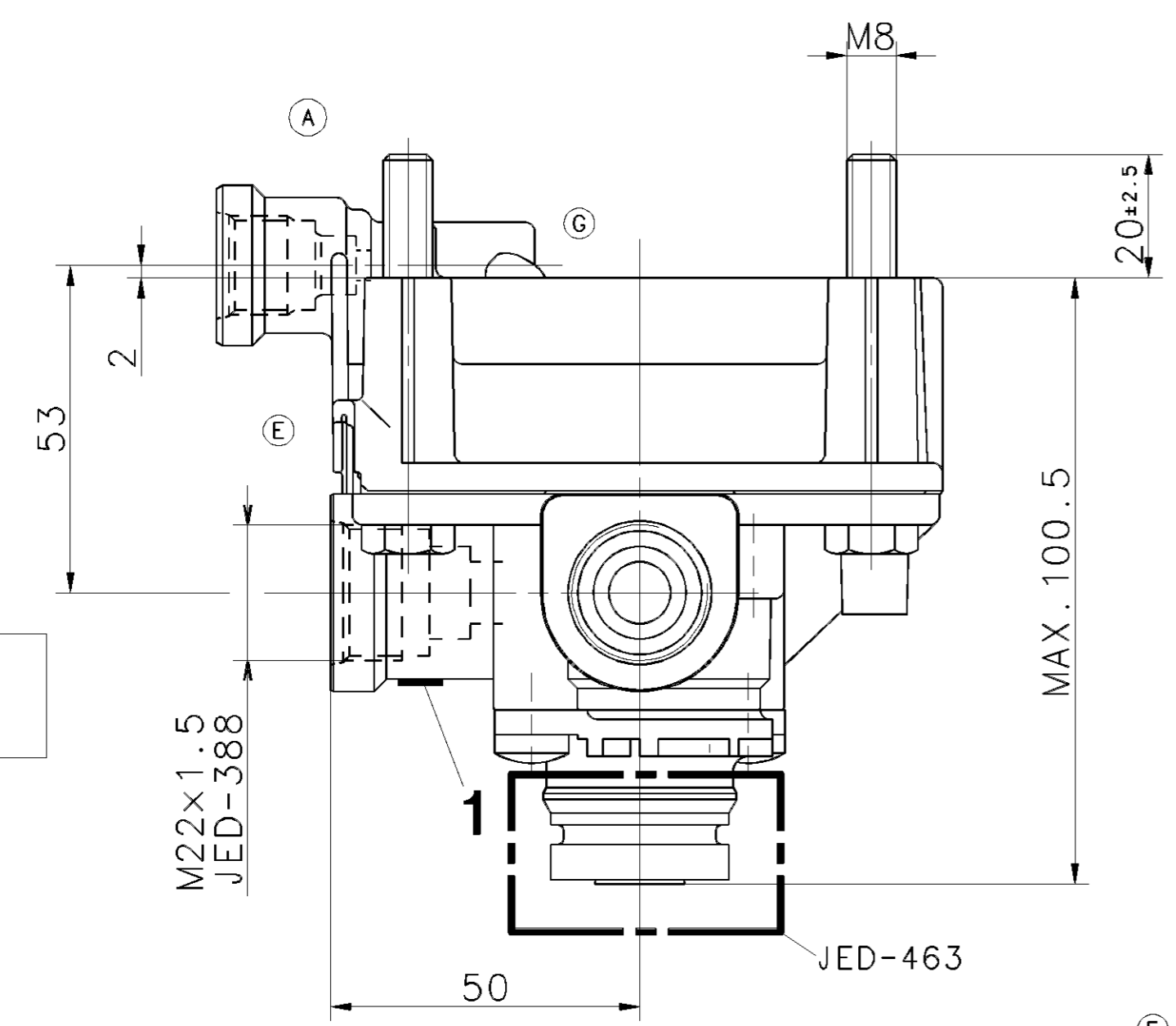


NON È PERMESSO CONCESSIONE A TERZI O RIPRODURRE QUESTO DOCUMENTO. NE UTILIZZARNE IL CONTENUTO O RENDERSI RESPONSABILI PER QUALSIASI DANNI, PERDITE O GUASTI. TUTTI I DIRITTI RISERVATI DA WABCO E COMPARTI. IL RISARCIMENTO DEI DANNI SUBITI È FATTA A RISERVA DI TUTTI I DIRITTI DERIVANTI DA BREVETTI O MODELLI.
 COPIING OF THIS DOCUMENT AND ITS USE OR COMMUNICATION OF THE CONTENTS THEREOF, WITHOUT THE WRITTEN PERMISSION OF WABCO, IS PROHIBITED. ALL RIGHTS ARE RESERVED IN THE EVENT OF THE ABUSE AND RESULT IN A LIABILITY TO THE PAYMENT OF DAMAGES. ALL RIGHTS ARE RESERVED IN THE EVENT OF THE ABUSE AND RESULT IN A LIABILITY TO THE PAYMENT OF DAMAGES. ALL RIGHTS ARE RESERVED IN THE EVENT OF THE ABUSE AND RESULT IN A LIABILITY TO THE PAYMENT OF DAMAGES.
 TOUVE COMMUNICATION OU REPRODUCTION DE CE DOCUMENT, TOUTE EXPLOITATION OU COMMUNICATION DE SON CONTENU, ENVIANT EN RESPONSABILITE, POUR QUALSIQUANS DANNI, PERDITE OU GUASTS, EST INTERDIT. TOUS DROITS DE PROPRIETE INDUSTRIELLE RESERVES. NOTAMMENT EN MATIERE DE BREVETS ET DE MODELES.
 WELTERGABE SOWIE VERFÄLTERUNG DIESER UNTERLAGE, VERBREITUNG UND MITTEILUNG IHRES INHALTS NICHT OHNE SCHRIFTLICHE ZULASSUNG VON WABCO. ALLE RECHTE SIND VORBEHALTEN. ALLE RECHTE SIND VORBEHALTEN. ALLE RECHTE SIND VORBEHALTEN.
 GEBRAUCHSMUSTER-EINTRAGUNG VORBEHALTEN.



Y F
 DESIGN PERMISSIBLE
 AUSFUEHRUNG ZULAESSIG
 REALISATION ADMISE
 DISEGNO AMMISSIBILE

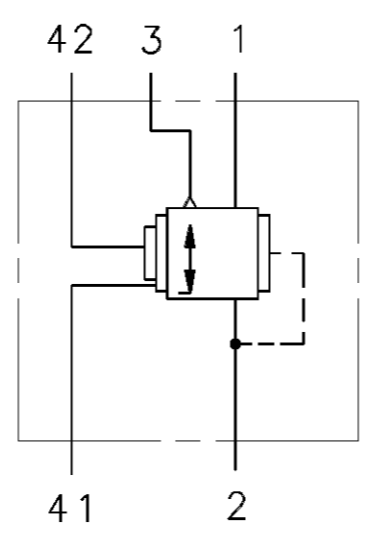
- 1 SUPPLY VORRAT ALIMENTATION ALIMENTAZIONE
- 2 DELIVERY PRESSURE AUSGESTEUERTER DRUCK PRESSION DELIVREE PRESSIONE EROGATA
- 3 EXHAUST ENTLUEFTUNG ECHAPPEMENT SCARICO
- 41 / 42 CONTROL PRESSURE STEUERDRUCK PRESSION DE COMMANDE PRESSIONE DI COMANDO

MEDIUM: AIR
 MEDIUM: LUFT
 FLUIDE: AIR
 FLUIDO: ARIA

WORKING PRESSURE: MAX. p_e 10bar
 TEMPORARILY: MAX. p_e = 13bar
 BETRIEBSDRUCK: MAX. p_e 10bar
 KURZZEITIG: MAX. p_e = 13bar
 PRESSION DE SERVICE: DE COURTE DUREE: MAX. p_e = 13bar
 PRESSIONE D'ESERCIZIO: BREVE TEMPO SOLO: MAX. p_e = 13bar

SUPPLY PRESSURE: MAX. p_e = 13bar
 VORRATSDRUCK: MAX. p_e = 13bar
 PRESSION D'ALIMENTATION: MAX. p_e = 13bar
 PRESSIONE DI ALIMENTAZIONE: MAX. p_e = 13bar

PERMISSIBLE INSTALLATION ZULAESSIGE EINBAULAGE ±90°
 POSITION D'INSTALLATION ADMISE POSITIONE DI MONTAGGIO AMMESSA



TORQUE FOR CONNECTIONS:
 ANZUGSMOMENT FUER EINSCHRAUBSTUTZEN: M16x1.5: M_{max} = 34 Nm
 COUPLE DE SERRAGE DES RACCORDS: M22x1.5: M_{max} = 53 Nm
 COPPIA DI SERRAGGIO DEI RACCORDI:

THERMAL RANGE OF APPLICATION:
 THERMISCHER ANWENDUNGSBEREICH: -40°...+80° C
 GAMME D'APPLICATION THERMIQUE:
 CAMPO DI APPLICAZIONE TERMICA:

GENERAL SPECIFICATION: JED-334		CADAM-DRAWING COPYRIGHT		WABCO	
FURTHER TECHNICAL DATA:		DATE	SIGNATURE	RELAY VALVE	
DOC. CODE: SHEET: TO		93-03-02	HAUKE	RELAISVENTIL	
GENERAL TOLERANCES		CHECKED: FAUCK	KIEL DEIKE	VALVE RELAIS	
RANGE OF NOMINAL DIMENSIONS (± mm)		93-03-05	PANTZER	VALVOLA RELE	
CLASS 1)	≤50	>50 ≤180	>180 ≤400	>400	
FINE	0,5	1,0	1,5	2,0	
MEDIUM X	1,0	2,0	3,0	4,0	
COARSE	2,0	3,5	5,0	6,5	
TAPPED HOLES ACC. ISO 4039 / JED-152		053503	4xA	93-06-16	
1) TOLERANCE CLASS APPLIED CROSSMARKED		DCN-NO.	REV.	DATE	
		053503	4xA	93-06-16	
		084934	2xG	03-02-28	
		070085	2xF	99-06-21	
		062230	3xE	97-02-03	
		058179	1xD	96-06-17	
		055645	2xC	94-08-30	
		053554	3xB	93-10-25	
		053503	4xA	93-06-16	
		MASS SCALE		PRODUCT IDENTIFICATION NO.	
		1,1 1:1 (2:1)		973 011 200 0	
		SIZE T.R.I.		DOC. CODE SHEET	
		A 2 140		605 1/1	
		SHAPE CODE		REPLACEMENT FOR	
		EXPERT CODE 744		PRODUCT TYPE 02	