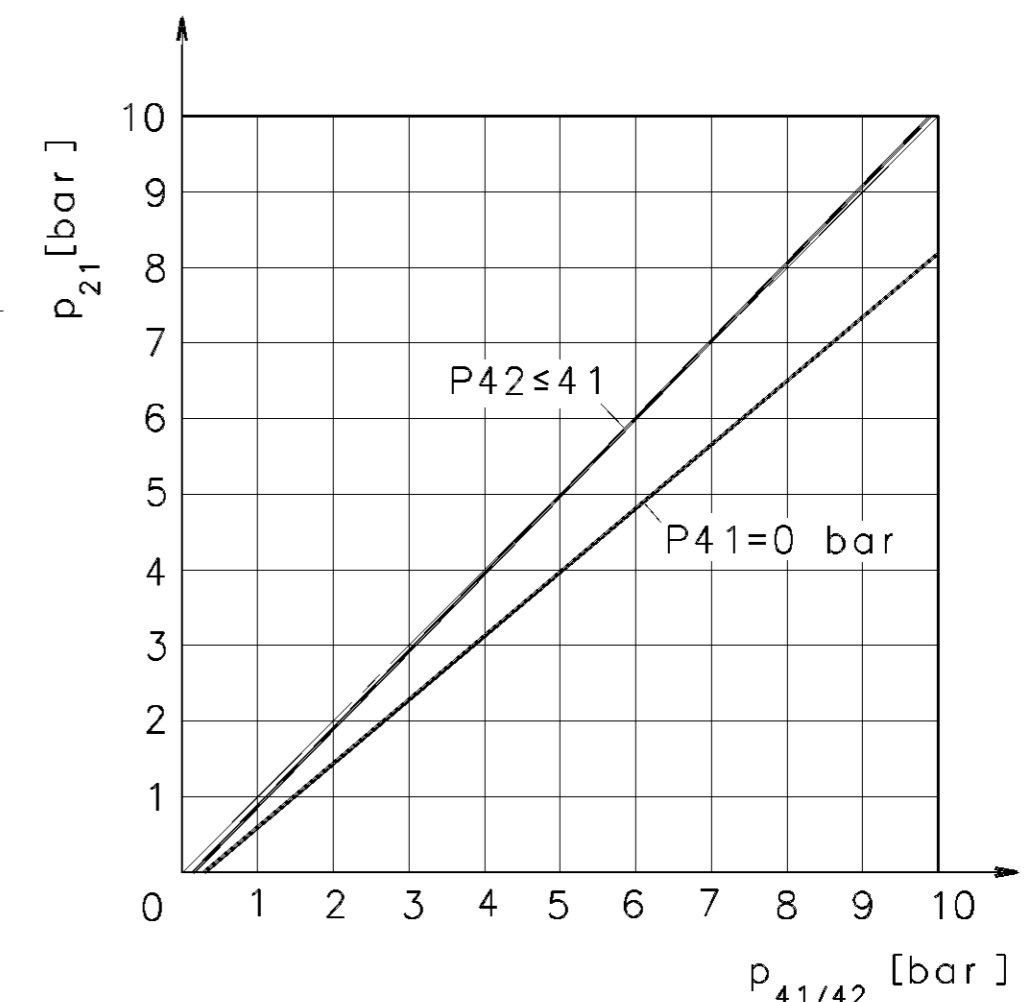
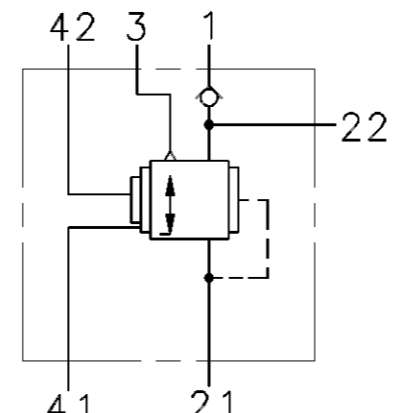
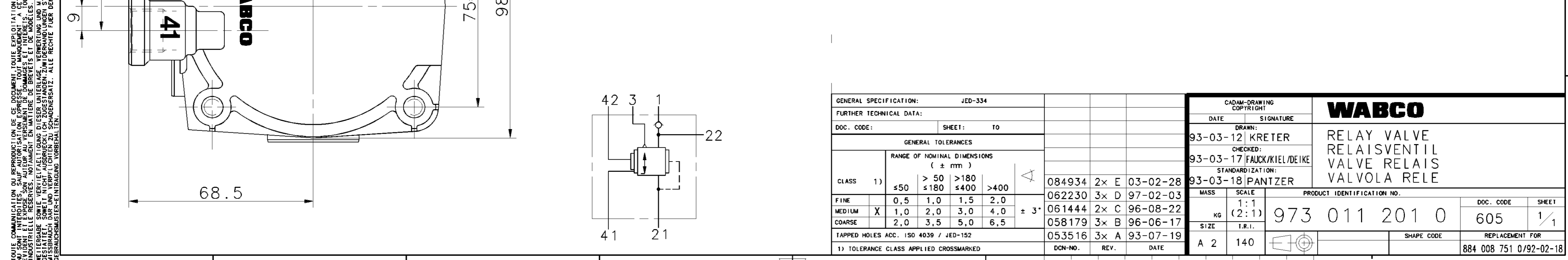
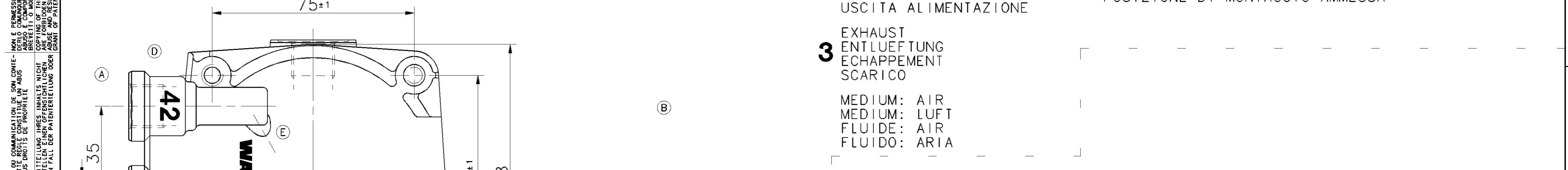
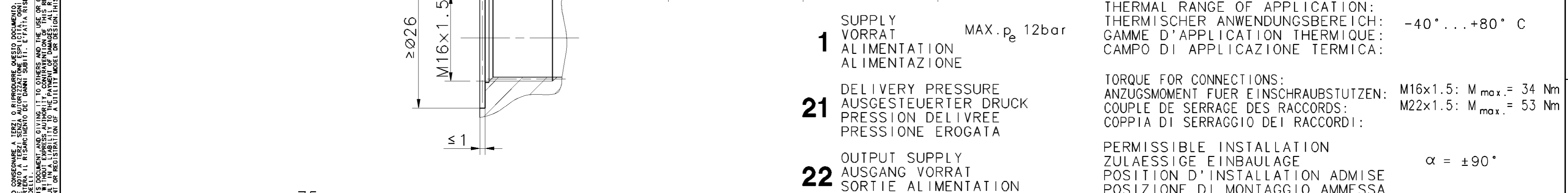
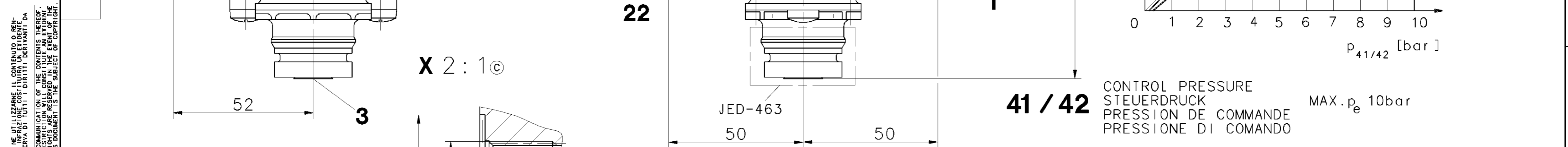
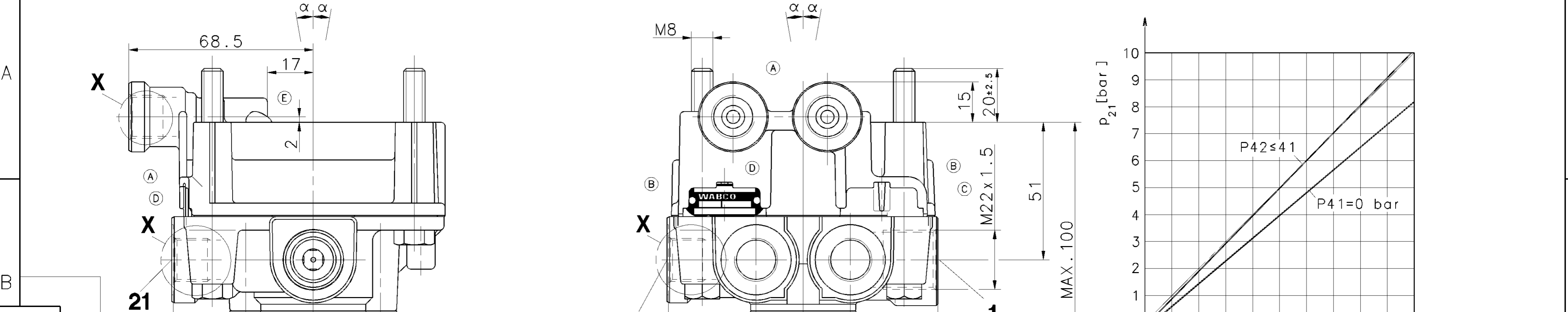


NON È PERMESSO CONSERVARE A TERZI O RIPRODURRE QUESTO DOCUMENTO. NE UTILIZZARNE IL CONTENUTO O RENDERSI RESPONSABILI PER QUALSIASI DANNI SUBITI. È FATTA RISERVA DI TUTTI I DIRITTI DERIVANTI DA BREVETTI O MODELLI. COPIING OF THIS DOCUMENT AND STIVING IT TO OTHERS AND THE USE OR COMMUNICATION OF THE CONTENTS THEREOF, WITHOUT THE WRITTEN PERMISSION OF WABCO, IS PROHIBITED. ALL RIGHTS ARE RESERVED IN THE EVENT OF THE GRANT OF PATENT OR REGISTRATION OF A UTILITY MODEL OR DESIGN. THIS DOCUMENT IS THE SUBJECT OF COPYRIGHT.

1 2 3 4 5 6 7 8



CONTROL PRESSURE  
 STEUERDRUCK  
 PRESSION DE COMMANDE  
 PRESSIONE DI COMANDO

MAX. p<sub>e</sub> 10bar

THERMAL RANGE OF APPLICATION:  
 THERMISCHER ANWENDUNGSBEREICH:  
 GAMME D'APPLICATION THERMIQUE:  
 CAMPO DI APPLICAZIONE TERMICA:

-40°...+80° C

TORQUE FOR CONNECTIONS:  
 ANZUGSMOMENT FUER EINSCHRAUBSTUTZEN:  
 COUPLE DE SERRAGE DES RACCORDS:  
 COPPIA DI SERRAGGIO DEI RACCORDI:

M16x1.5: M<sub>max.</sub> = 34 Nm  
 M22x1.5: M<sub>max.</sub> = 53 Nm

PERMISSIBLE INSTALLATION  
 ZULAESSIGE EINBAULAGE  
 POSITION D'INSTALLATION ADMISE  
 POSIZIONE DI MONTAGGIO AMMESSA

α = ±90°

- 1** SUPPLY VORRAT ALIMENTATION ALIMENTAZIONE  
 MAX. p<sub>e</sub> 12bar
  - 21** DELIVERY PRESSURE AUSGESTEUERTER DRUCK PRESSION DELIVREE PRESSIONE EROGATA
  - 22** OUTPUT SUPPLY AUSGANG VORRAT SORTIE ALIMENTATION USCITA ALIMENTAZIONE
  - 3** EXHAUST ENTLUEFTUNG ECHAPPEMENT SCARICO
- MEDIUM: AIR  
 MEDIUM: LUFT  
 FLUIDE: AIR  
 FLUIDO: ARIA

GENERAL SPECIFICATION:		JED-334		
FURTHER TECHNICAL DATA:				
DOC. CODE:	SHEET:	TO		
GENERAL TOLERANCES				
CLASS	RANGE OF NOMINAL DIMENSIONS ( ± mm )			Δ
	≤50	> 50 ≤180	>180 ≤400	
FINE	0,5	1,0	1,5	2,0
MEDIUM X	1,0	2,0	3,0	4,0
COARSE	2,0	3,5	5,0	6,5
TAPPED HOLES ACC. ISO 4039 / JED-152		053516	3x A	93-07-19
1) TOLERANCE CLASS APPLIED CROSSMARKED		DCN-NO.	REV.	DATE
		084934	2x E	03-02-28
		062230	3x D	97-02-03
		061444	2x C	96-08-22
		058179	3x B	96-06-17
		053516	3x A	93-07-19
		CADAM-DRAWING COPYRIGHT		
		DATE	SIGNATURE	
		93-03-12	KRETER	
		CHECKED:		
		93-03-17 FAUCK/KIEL/DE/KE		
		STANDARDIZATION:		
		93-03-18 PANTZER		
		PRODUCT IDENTIFICATION NO.		
MASS	SCALE	973 011 201 0		
KG	1:1 (2:1)			
SIZE	T.R.I.			
A 2	140			
		SHAPE CODE		REPLACEMENT FOR
				884 008 751 0/92-02-18
		EXPERT CODE		7 4 4
		PRODUCT TYPE		0 2 X

1009/012/3/04-93 605 653