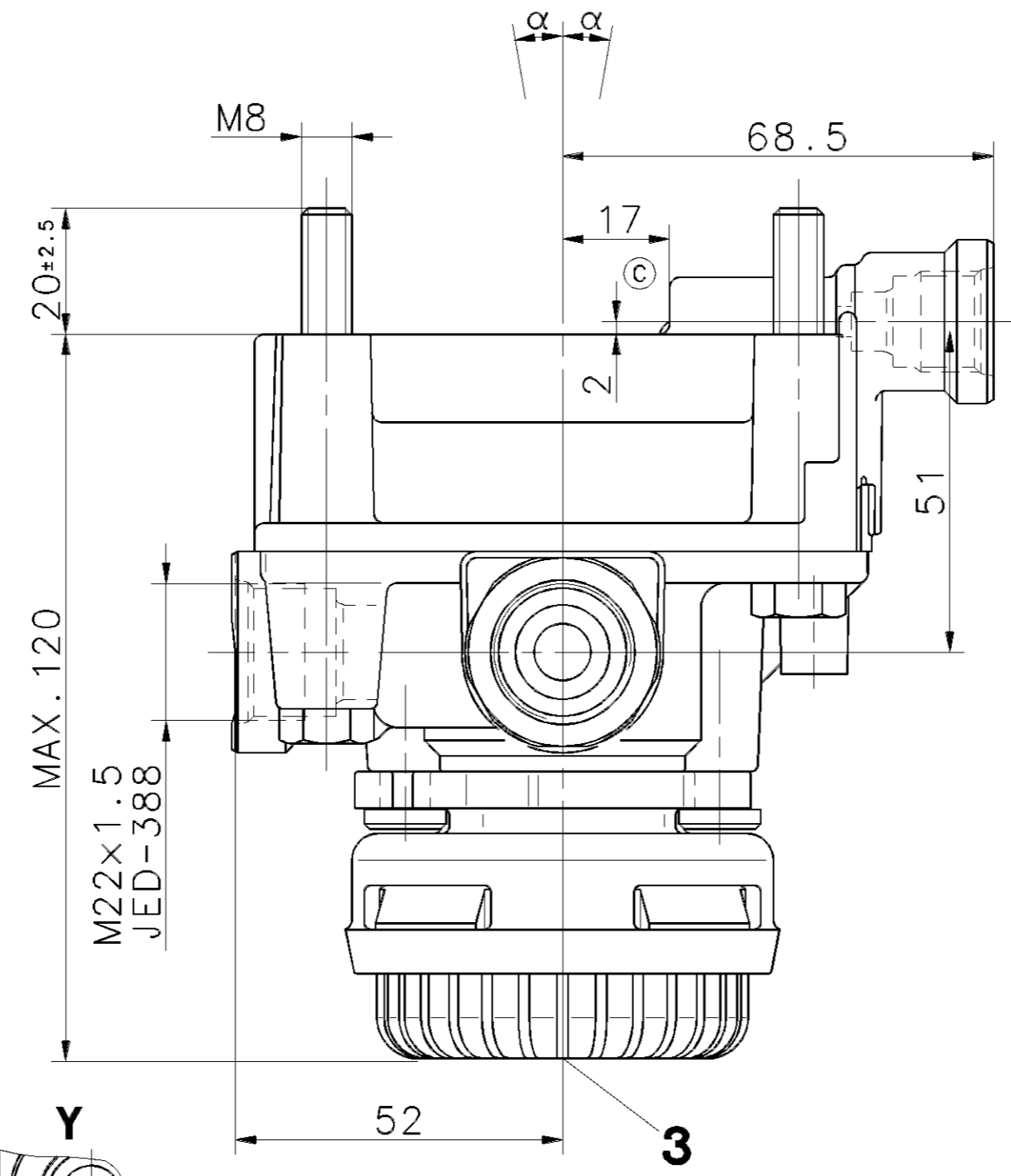
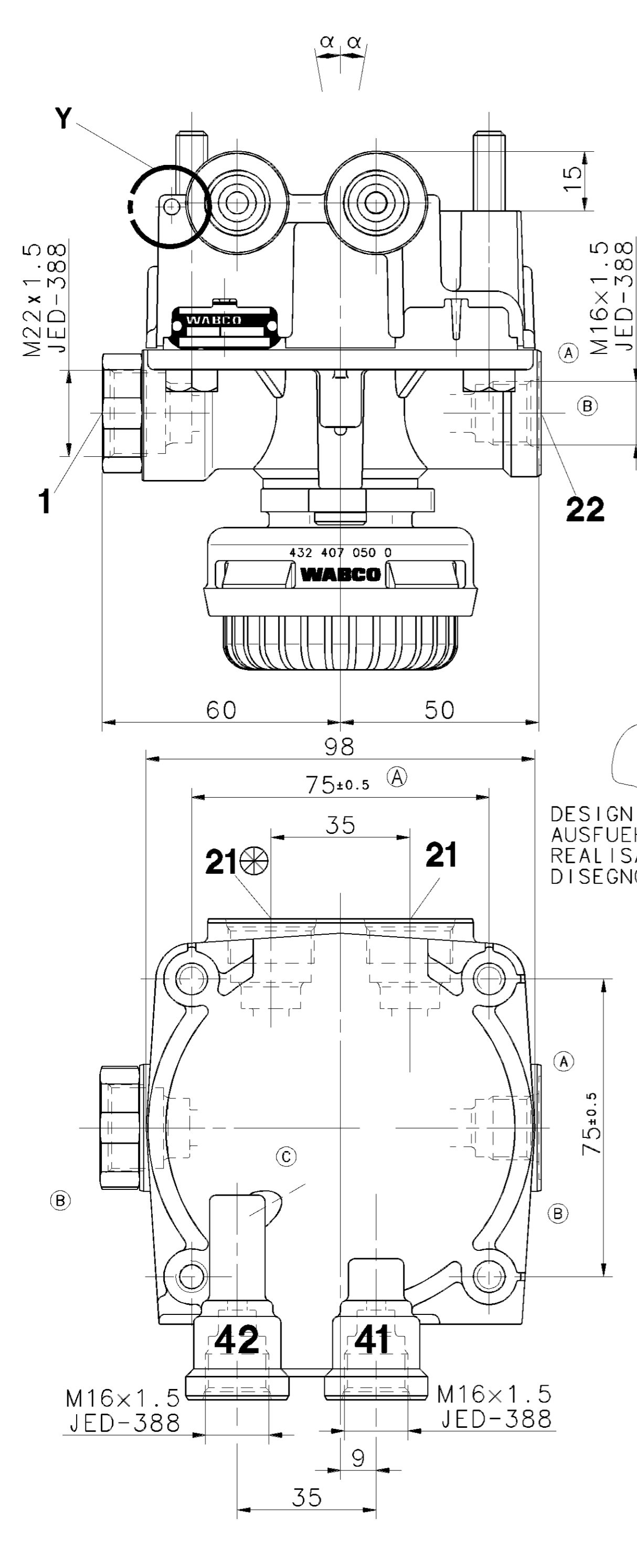


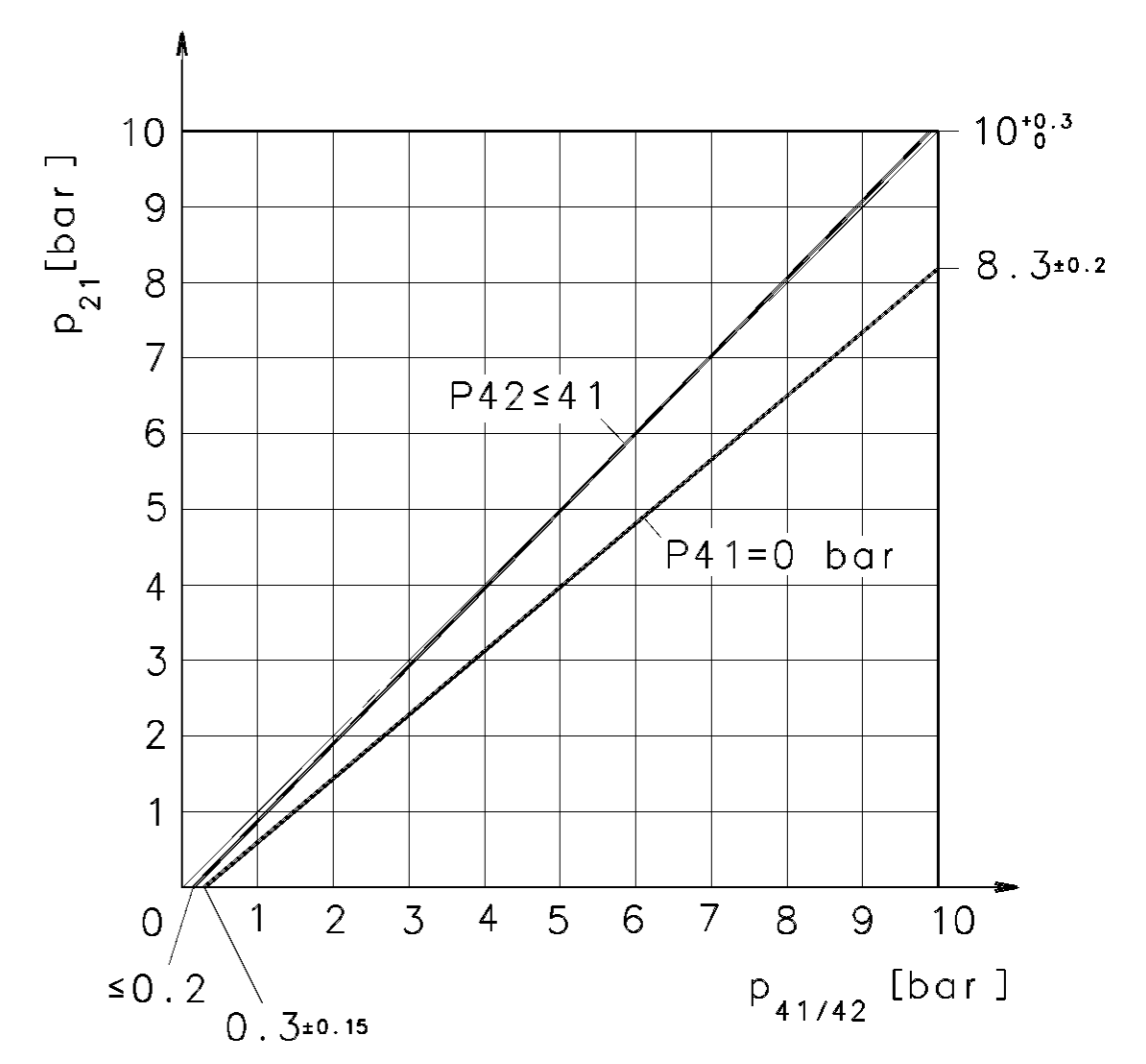
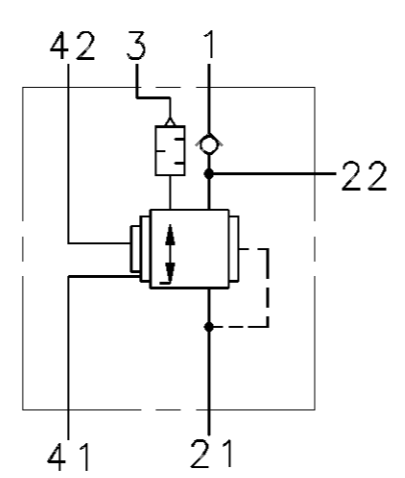
NON È PERMESSO CONCESSIONE A TERZI O RIPRODURRE QUESTO DOCUMENTO. NE UTILIZZARNE IL CONTENUTO O RENDERSI RESPONSABILI. È CONSIDERATA UNA VIOLAZIONE DEI DIRITTI DI PROPRIETÀ INDUSTRIALE. È FATTA RISERVA DI TUTTI I DIRITTI DERIVANTI DA BREVETTI O MODELLI. COPIING OF THIS DOCUMENT AND ITS USE OR COMMUNICATION OF ITS CONTENTS THEREOF, WITHOUT THE WRITTEN PERMISSION OF WABCO, IS PROHIBITED. ALL RIGHTS ARE RESERVED IN THE EVENT OF THE GRANT OF PATENT OR REGISTRATION OF A UTILITY MODEL OR DESIGN. THIS DOCUMENT IS THE SUBJECT OF COPYRIGHT.

TOUPE COMMUNICATION OU REPRODUCTION DE CE DOCUMENT, TOUTE EXPLOITATION OU COMMUNICATION DE SON CONTENU, SANS LE PERMIS ÉCRIT DE WABCO, EST INTERDITE. IL N'EST PAS PERMIS D'UTILISER LE CONTENU DE CE DOCUMENT NI DE COMMUNIQUER SON CONTENU. IL RISERVE TOUS DROITS DE PROPRIÉTÉ INDUSTRIELLE RÉSERVÉS, NOTAMMENT EN MATIÈRE DE BREVETS ET DE MODÈLES. WELLEGABE SOWIE Vervielfältigung dieses Unterlagen, Verbreitung und Mitteilung ihres Inhalts nicht ohne schriftliche Genehmigung von WABCO ist untersagt. Alle Rechte vorbehalten. MISSBRACH DAR UND VERPFLICHTEN ZU SCHADENSATZ. ALLE RECHTE FÜR DEN FALL DER PATENTIERUNG ODER GEBRAUCHSMUSTER-EINTRAGUNG VORBEHALTEN.



DESIGN PERMISSIBLE
AUSFUEHRUNG ZULAESSIG
REALISATION ADMISE
DISEGNO AMMISSIBILE

- 1** SUPPLY VORRAT MAX. p_e 13bar
ALIMENTATION
ALIMENTAZIONE
 - 21** DELIVERY PRESSURE AUSGESTEUERTER DRUCK
PRESSION DELIVREE
PRESSIONE EROGATA
 - 22** OUTPUT SUPPLY AUSGANG VORRAT p₂₂=p₁±0.2
SORTIE ALIMENTATION
USCITA ALIMENTAZIONE
 - 3** EXHAUST ENTLUEFTUNG
ECHAPPEMENT
SCARICO
- MEDIUM: AIR
MEDIUM: LUFT
FLUIDE: AIR
FLUIDO: ARIA



41 / 42 CONTROL PRESSURE
STUERDRUCK MAX. p_e 10bar
PRESSION DE COMMANDE
PRESSIONE DI COMANDO

THERMAL RANGE OF APPLICATION:
THERMISCHER ANWENDUNGSBEREICH: -40°...+80° C
GAMME D'APPLICATION THERMIQUE:
CAMPO DI APPLICAZIONE TERMICA:

TORQUE FOR CONNECTIONS:
ANZUGSMOMENT FUER EINSCHRAUBSTUTZEN: M16x1.5: M_{max.} = 34 Nm
COUPLE DE SERRAGE DES RACCORDS: M22x1.5: M_{max.} = 53 Nm
COPPIA DI SERRAGGIO DEI RACCORDI:

PERMISSIBLE INSTALLATION
ZULAESSIGE EINBAULAGE α = ±90°
POSITION D'INSTALLATION ADMISE
POSIZIONE DI MONTAGGIO AMMESSA

GENERAL SPECIFICATION: JED-334		CADAM-DRAWING COPYRIGHT		WABCO	
FURTHER TECHNICAL DATA:		DATE: SIGNATURE:		RELAY VALVE RELAISVENTIL VALVE RELAIS VALVOLA RELE	
DOC. CODE: SHEET: TO		DRAWN: 99-10-06 ELZE		REPLACEMENT FOR	
GENERAL TOLERANCES		CHECKED: 99-10-06 MENZE		DOC. CODE SHEET	
RANGE OF NOMINAL DIMENSIONS (± mm)		STANDARDIZATION:		605 1/1	
CLASS 1)	≤50 >50 ≤180 >180 ≤400 >400	MASS SCALE PRODUCT IDENTIFICATION NO.		973 011 208 0	
FINE	0,5 1,0 1,5 2,0	1.2 1:1		071960 3xA 00-01-14	
MEDIUM X	1,0 2,0 3,0 4,0	084934 2xC 03-02-28		DCN-NO. REV. DATE	
COARSE	2,0 3,5 5,0 6,5	0754 18 3xB 00-07-27		744	
TAPPED HOLES ACC. ISO-4039 / JED-162 JED-388		A 2 140		EXPERT CODE	
1) TOLERANCE CLASS APPLIED CROSSMARKED		SHAPE CODE		PRODUCT TYPE 02	