

MATERIAL	SURFACE PROTECTION	
MATERIAL	OBERFLAECHENSCHUTZ	
MATERIAU	PROTECTION SUPERFICIELLE	
MATERIALE	PROTEZIONE SUPERFICIALE	
I	Fe JED-051M4	Zn/Fe JED-256-1
II	Al JED-029M1	Cr JED-259-1
III	Al JED-029M1	Cr JED-259-1
IV	Al JED-077-1	#### JED-007-1
V	TPE JED-284-1 / ###	

BLACK
SCHWARZ
NOIR
NERO

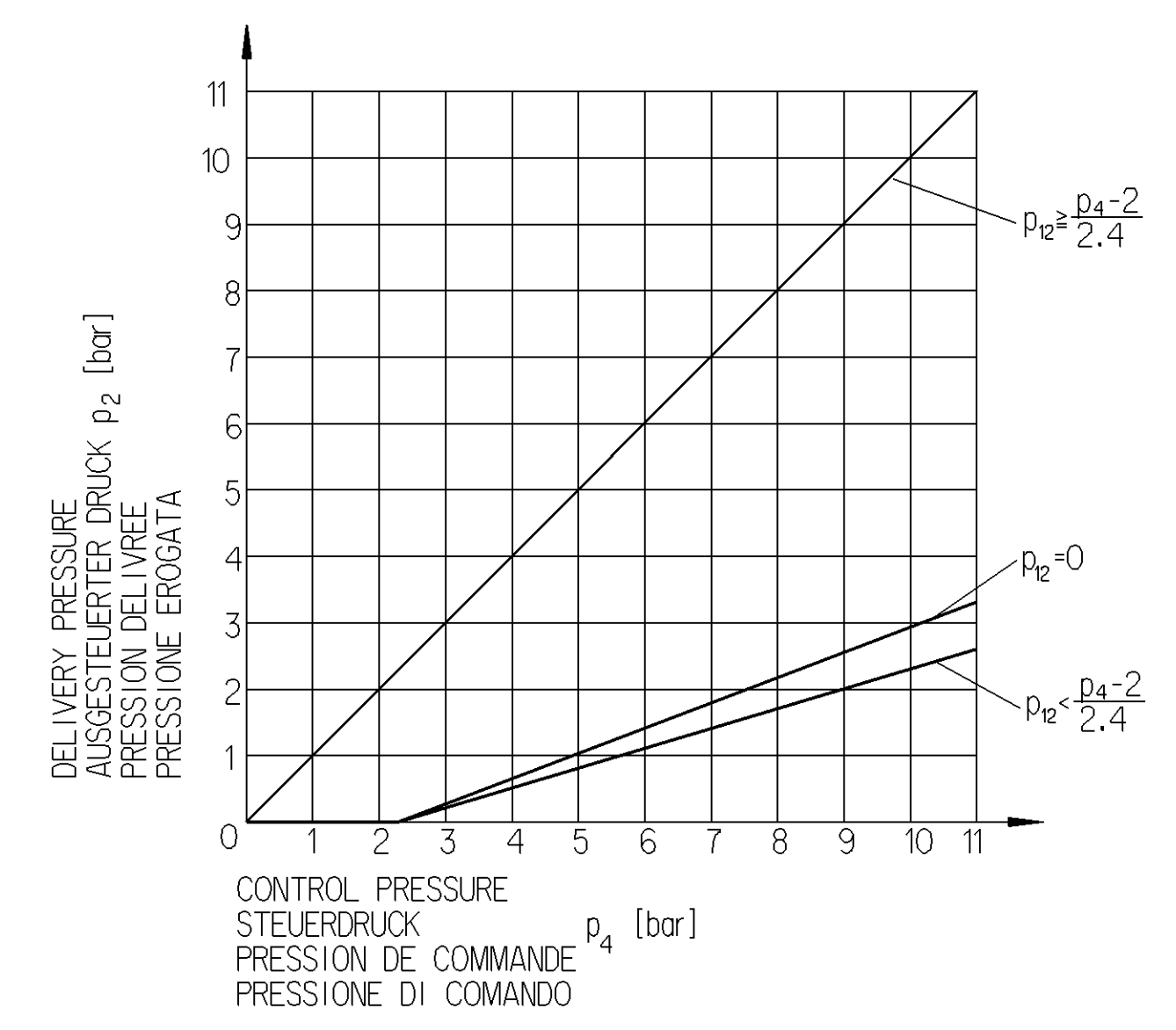
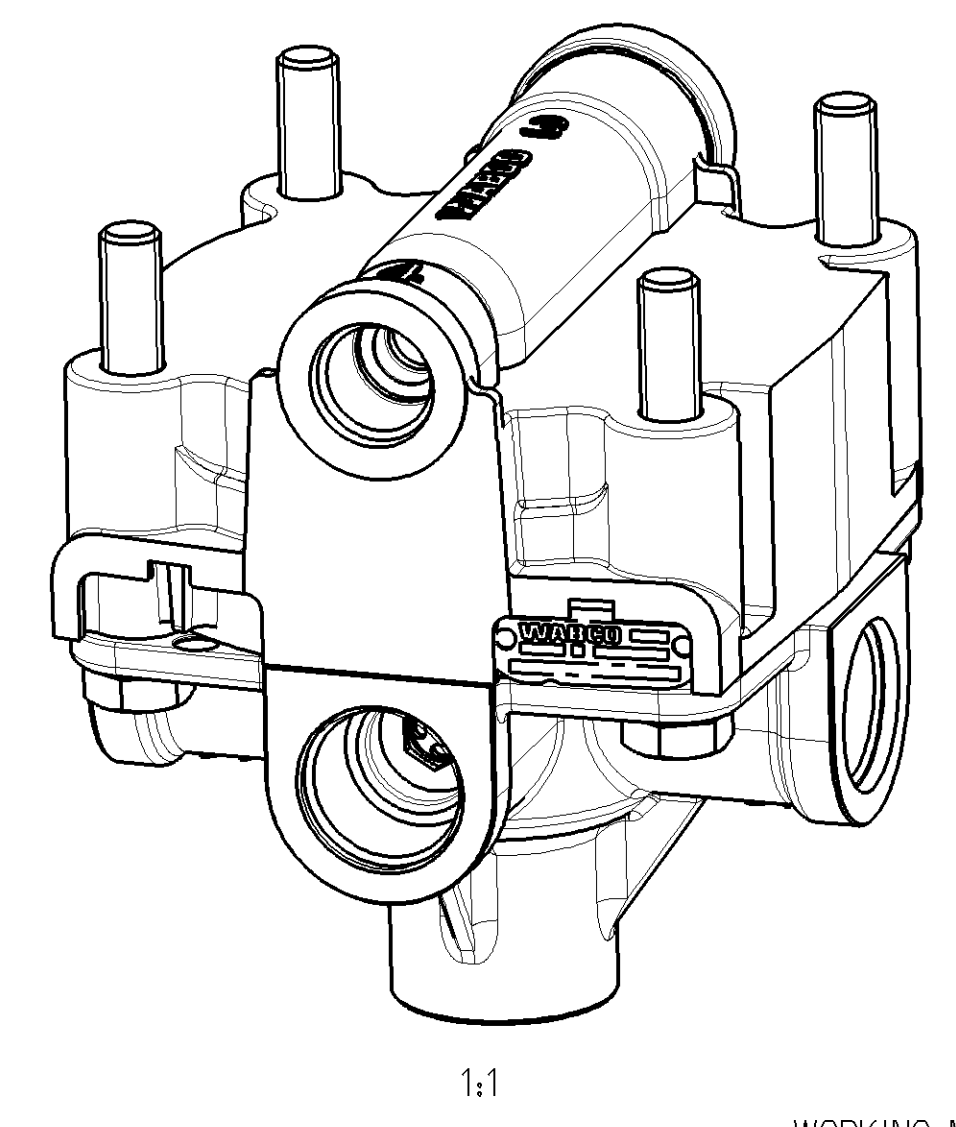
ANODIC OXIDATION
ANODISCHE OXIDATION
OXIDATION ANODIQUE
OSSIDAZIONE ANODICA

MANUFACTURING PLANT :
PRODUKTIONSSTAETTE : JED-225
LIEU DE FABRICATION :
LUOGO DI FABBRICAZIONE :

WEEK / YEAR OF MANUFACTURE
FERTIGUNGSWOCHE / -JAHR
SEMAINE / ANNEE DE FABRICATION
SETTIMANA / ANNO DELLA FABBRICAZIONE

WABCO-DEVICE NUMBER
WABCO-GERAETE NUMBER
WABCO-NUMERO D'APPAREIL
WABCO-NUMERO CODICE DELL' APPARECCHIO

CUSTOMER NO. / ZGS
KUNDEN-NR. / KZ / ZGS
NO CLIENT / ZGS
NO CLIENTE / ZGS



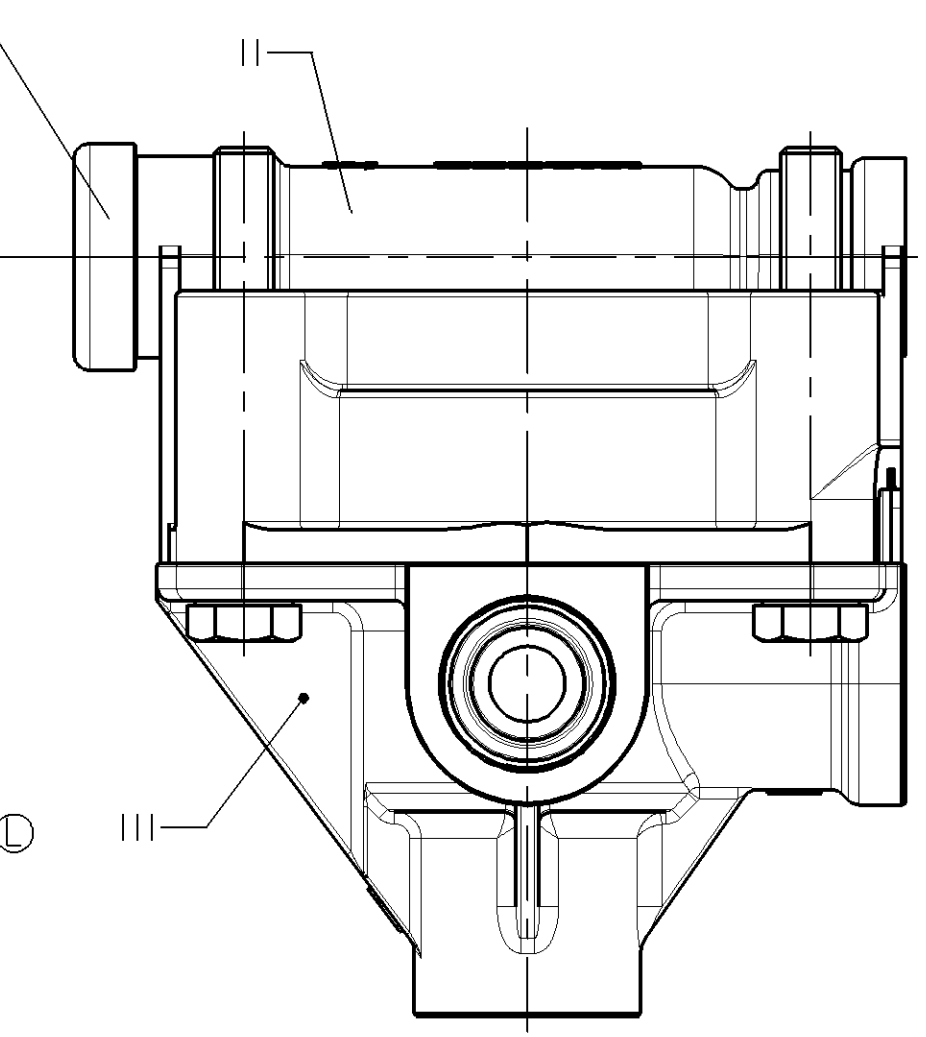
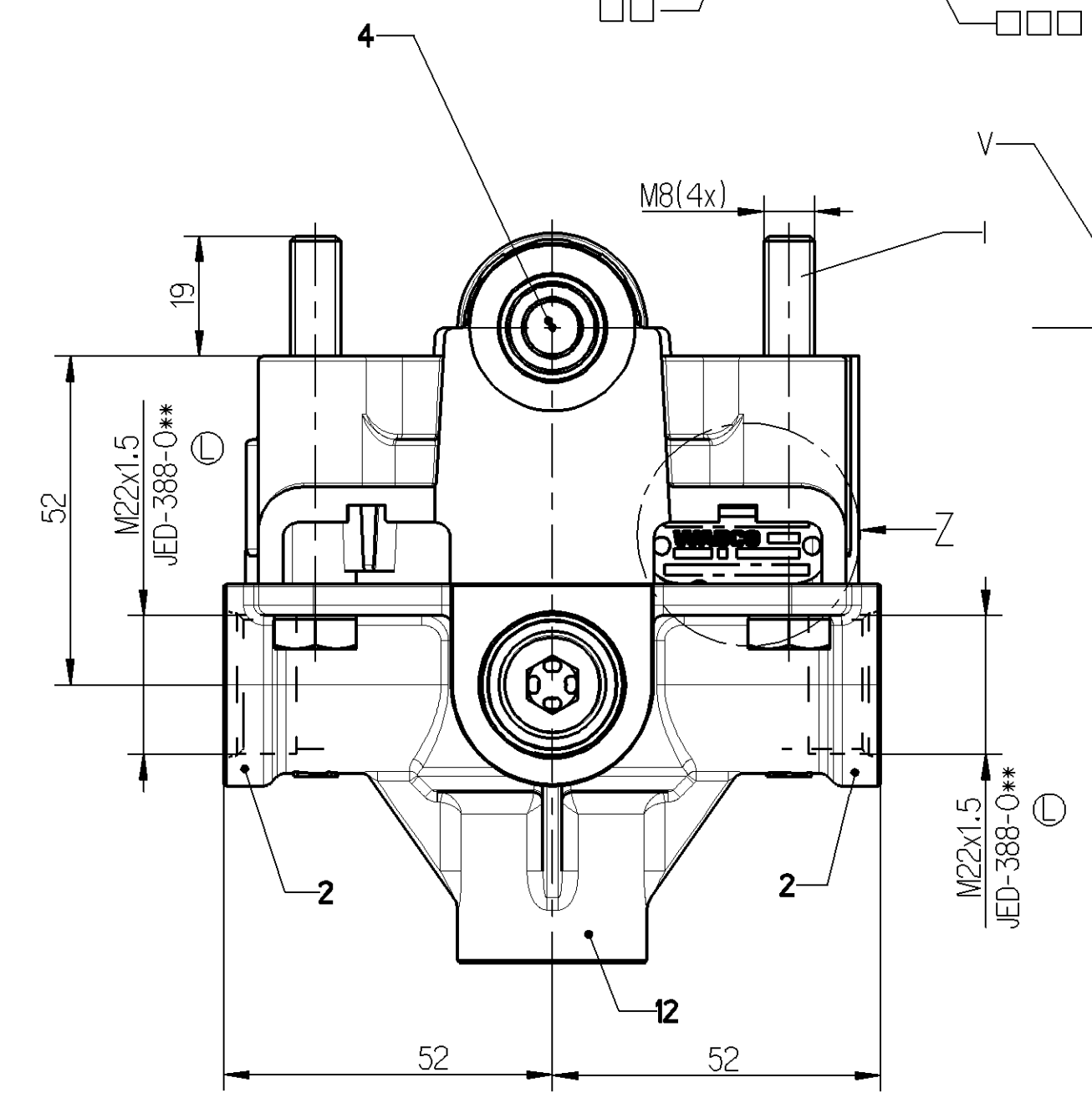
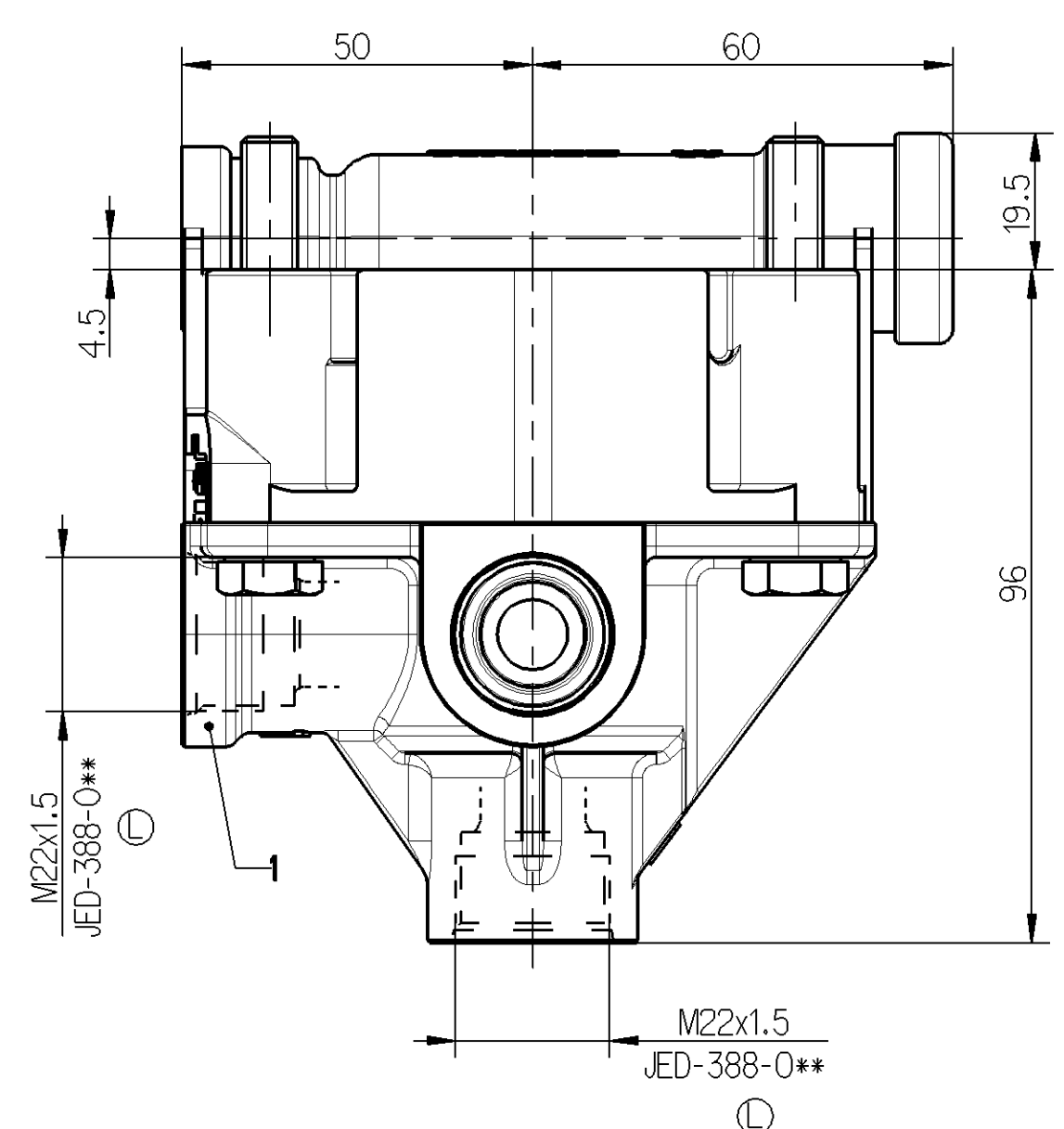
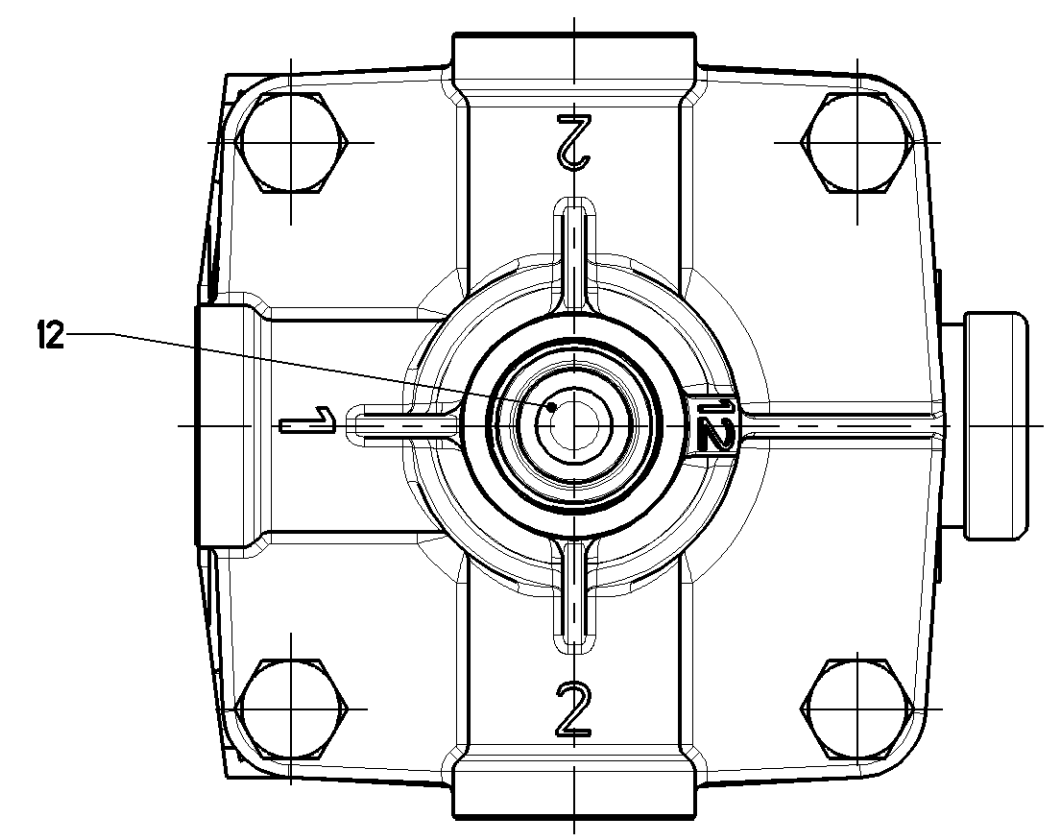
WORKING MEDIUM : AIR (WATER, OIL AND ALCOHOL CONTAINING)
ARBEITSMEDIUM : LUFT (WASSER-, OEL- UND ALKOHOLHALTIG)
FLUIDE D'UTILISATION : AIR (CHARGE D'EAU, D'HUILE ET D'ALCOOL)
FLUIDO DI ESERCIZIO : ARIA (CONTENENTE ACQUA, OLIO ED ALCOOL)

AMBIENT ENVIRONMENT : AIR (CONTAINING WATER, SALT, DUST AND OIL)
UMGEBUNGSMEDIUM : LUFT (WASSER-, SALZ-, STAUB UND OELHALTIG)
FLUIDE AMBIENT : AIR (CHARGE D'EAU, DE SEL, DE POUSSIERE ET D'HUILE)
FLUIDO AMBIENTE : ARIA (CONTENENTE ACQUA, SALE, POLVERO ED OLIO)

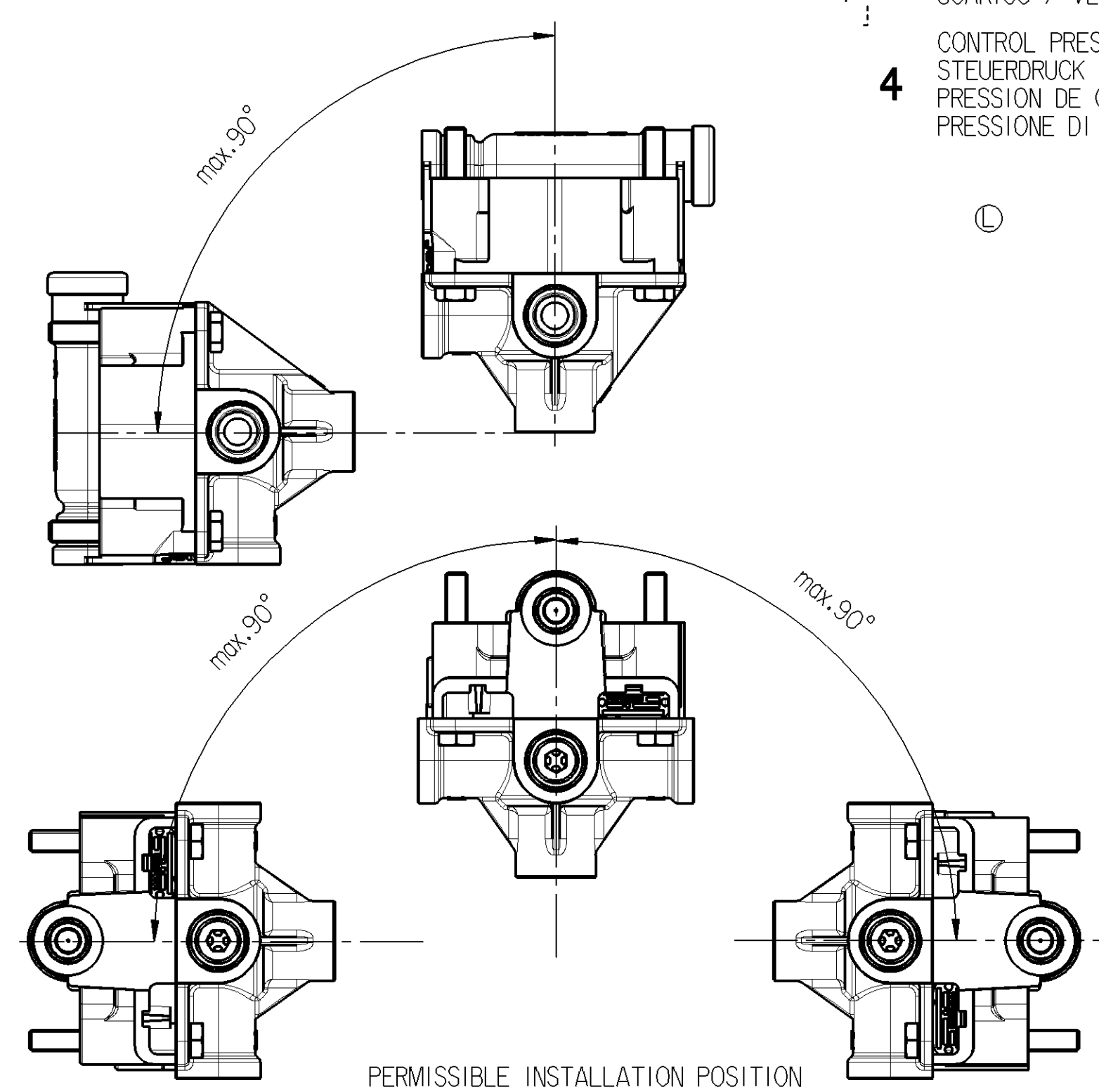
THERMAL RANGE OF APPLICATION : -40° ... +80°
THERMISCHER ANWENDUNGSBEREICH : -40° ... +80°
PLAGE DE TEMPERATURE EN :
CAMPO D'APPLICAZIONE TERMICA NELLE:

FOR FURTHER INFORMATIONS SEE TECHNICAL SPECIFICATION
WEITERE INFORMATIONEN SIEHE TECHNISCHE SPECIFIKATION
POUR AUTRES INFORMATION VOIR TECHNIQUE SPECIFICATION
PER ULTERIORI INFORMAZIONI VEDERE TECNICI SPECIFICA

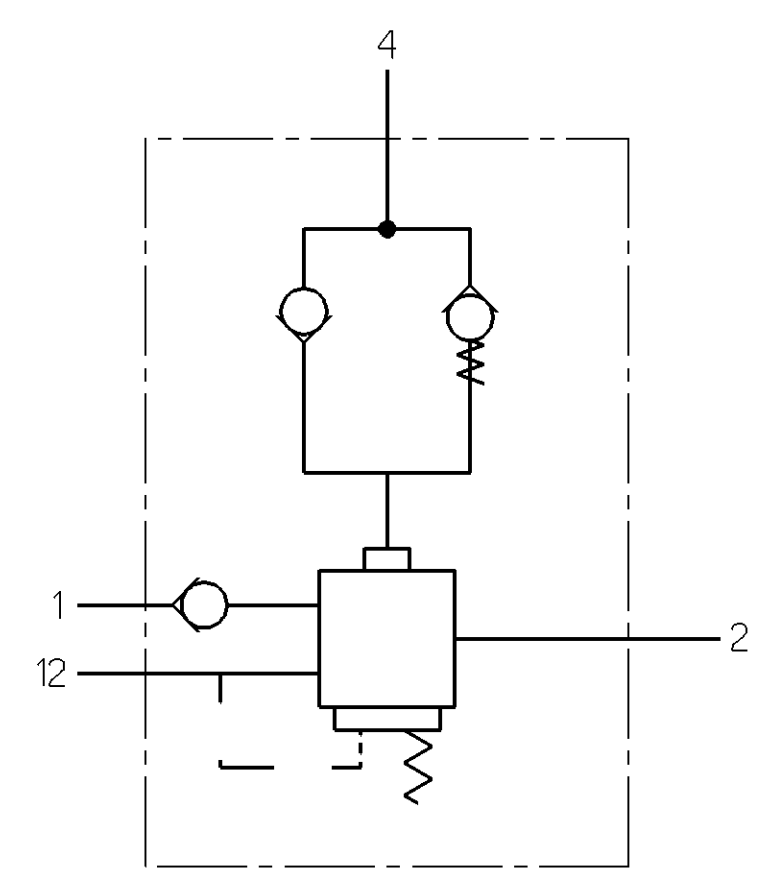
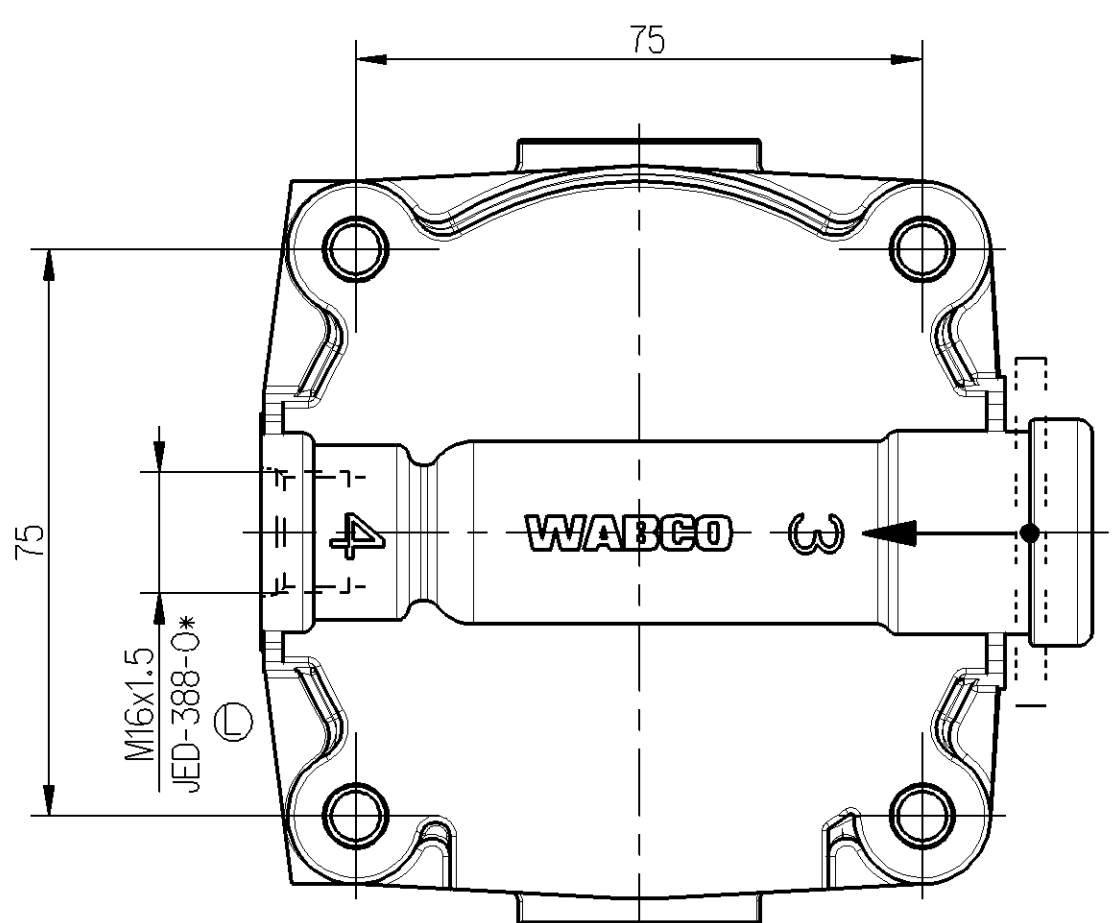
SHORT TERM RESISTANCE TO HEAT (UNPRESSURIZED, WITHOUT FUNCTION) : MAX. 1h AT 110°C OR MAX. 2h AT 95°C
KURZZEITIGE WAERMEBESTAENDIGKEIT (DRUCKLOS, OHNE FUNKTION) : MAX. 1h BEI 110°C ODER MAX. 2h BEI 95°C
RESISTANCE THERMIQUE TEMPORAIRE (SANS PRESSION, SANS FONCTION) : MAX. 1h A 110°C OU MAX. 2h A 95°C
RESISTANZA TERMICA PER BREVE PERIODO (ENZA PRESSIONE, SENZA FUNZIONE) MAX. 1h A 110°C O MAX. 2h A 95°C



- 1 WORKING PRESSURE (SUPPLY) : p_e = max. 13 bar
- 2 DELIVERY PRESSURE : p_e = max. 11 bar
- 3 EXHAUST / VENTILATION
- 4 CONTROL PRESSURE



PERMISSIBLE INSTALLATION POSITION
ZULAESSIGE EINBAULAGE
POSITION D'INSTALLATION ADMISE
POSIZIONE DI MONTAGGIO AMMESSA



TORQUE ACCORDING TO JED-366	*	**
ANZUGSMOMENT ENTSPRECHEND JED-366	M16x1.5	M22x1.5
COUPLE DE SERRAGE SUIVANT JED-366		
COPPIA DI SERRAGIO SECONDO JED-366		
FOR THREAD PERMISSIBLE	max. 34 Nm	max. 53 Nm
FUER GEWINDE ZULAESSIG		
POUR FILETTAGE ADMISE		
PER FILETTATURA AMMESSA		

General Specifications		Copyright WABCO®		WABCO	
Further Technical Data: 973 011 300 0		Date	Signature	RELAISVENTIL	
Doc. Code: 035	Sheet: To	2010-09-16	Elze	SIMPLE RELAY VALVE	
General Tolerances JED-261		2010-09-20	Sudhiv	VALVE RELAIS	
Range of Nominal Dimensions (± mm)		Expert		VALVOLA RELE	
Class 1)	≤ 50 > 50 > 180 > 400	Mass	Scale	Material No.	Date of first issue: 2009-12-10
Fine	0.5 1.0 1.5 2.0	0.822	1:1	973 011 300 0	Doc.Code Language Sheet
Medium	1.0 2.0 3.0 4.0	±3°	(2:1)	005 ML 1/1	
Coarse	2.0 3.5 5.0 6.5				
Tapped Holes acc. JED-388		Size CAD System	Revision	Techn. Resp.	Replacement for
1) Tolerances Class Applied Crossmarked		A 1	Pro/E	153587 8x L 5220	

Non è permesso copiare o riprodurre questo documento, né utilizzare il contenuto o i dati contenuti in esso, senza permesso scritto dalla WABCO. Il presente documento è riservato ai clienti WABCO. Toute communication ou reproduction de ce document, toute exploitation ou communication de son contenu sans autorisation écrite de la WABCO est formellement interdite. Toute utilisation non autorisée sans la permission écrite de la WABCO est formellement interdite. Het kopiëren van dit document en het verspreiden daarvan is niet toegestaan. Het verspreiden van de inhoud van dit document is niet toegestaan. All rights reserved. Copying of this document and giving it to others and the use or communication of the contents thereof, are forbidden without express authority. Communication of this information without the written consent of WABCO is prohibited. No part of this document may be reproduced or transmitted in any form or by any means, electronic, mechanical, photocopying, recording, or by any information storage and retrieval system, without the prior written permission of WABCO.