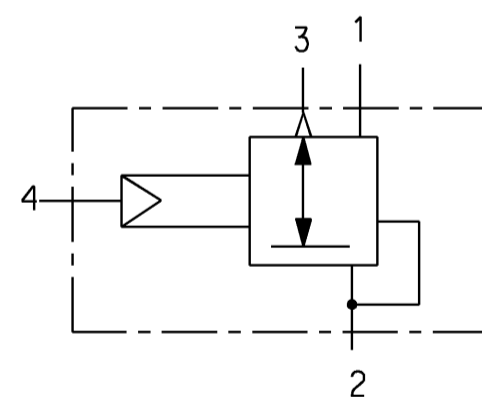
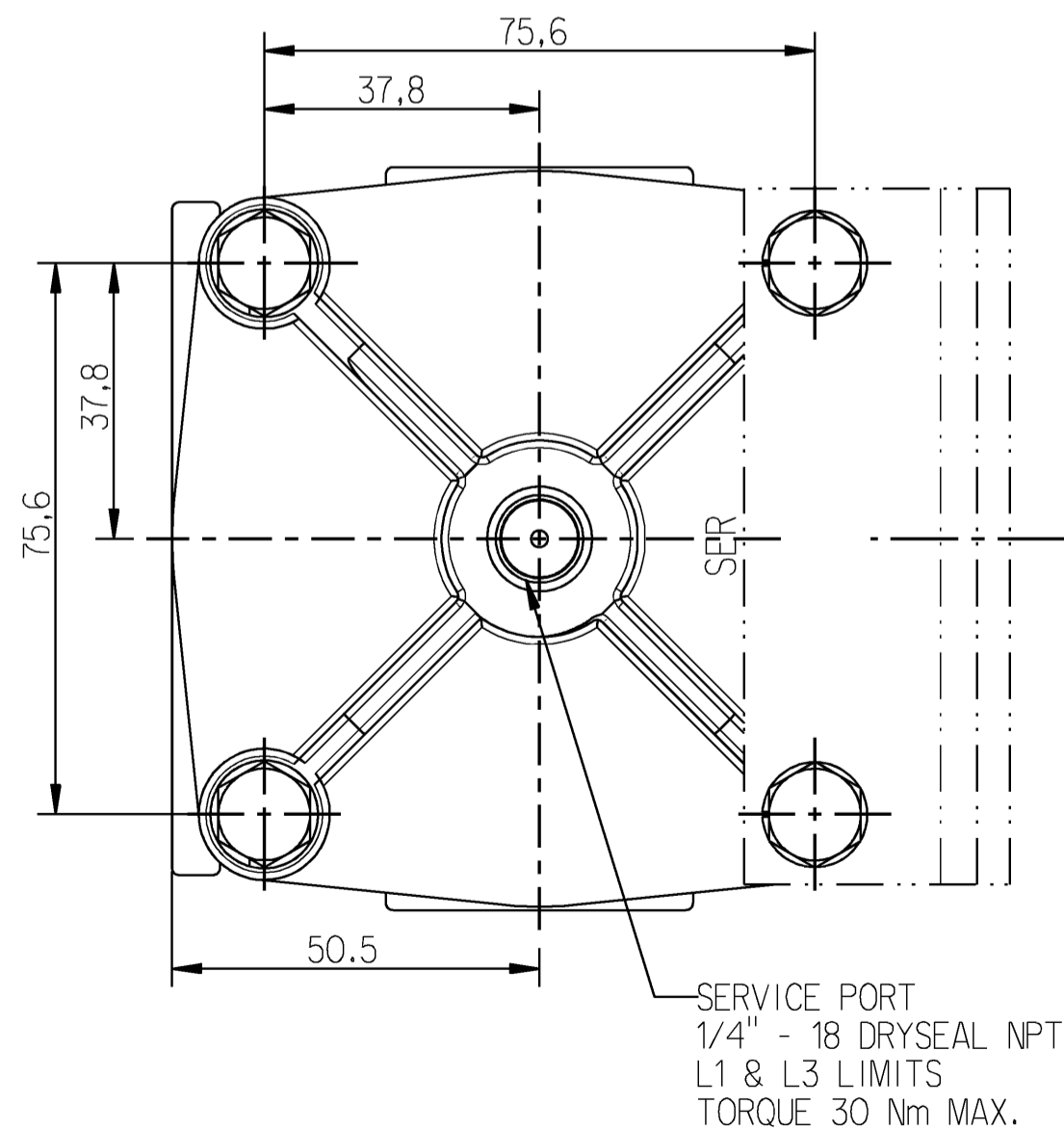
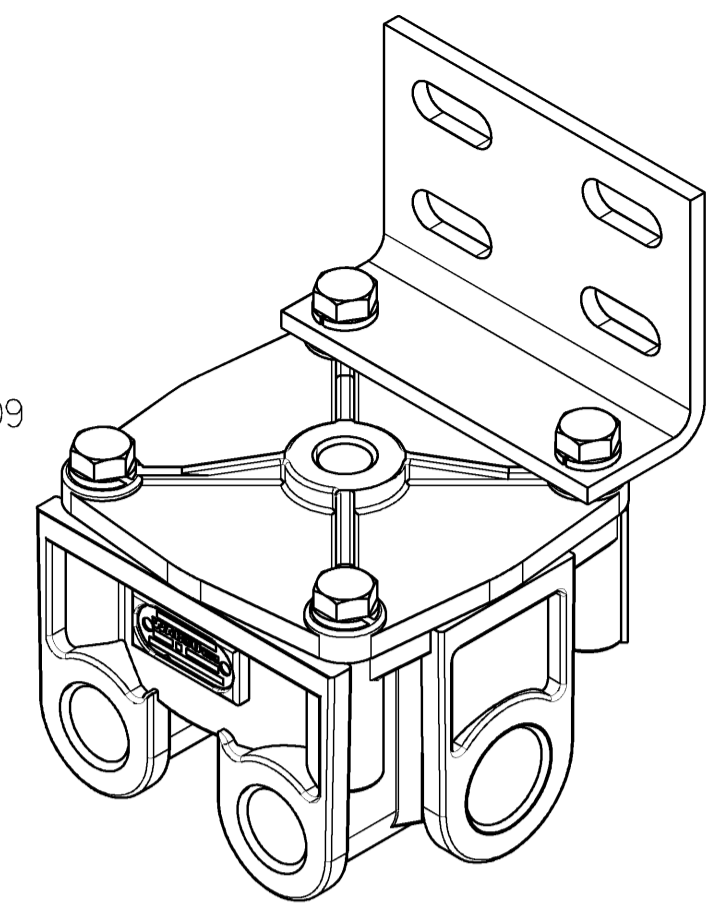
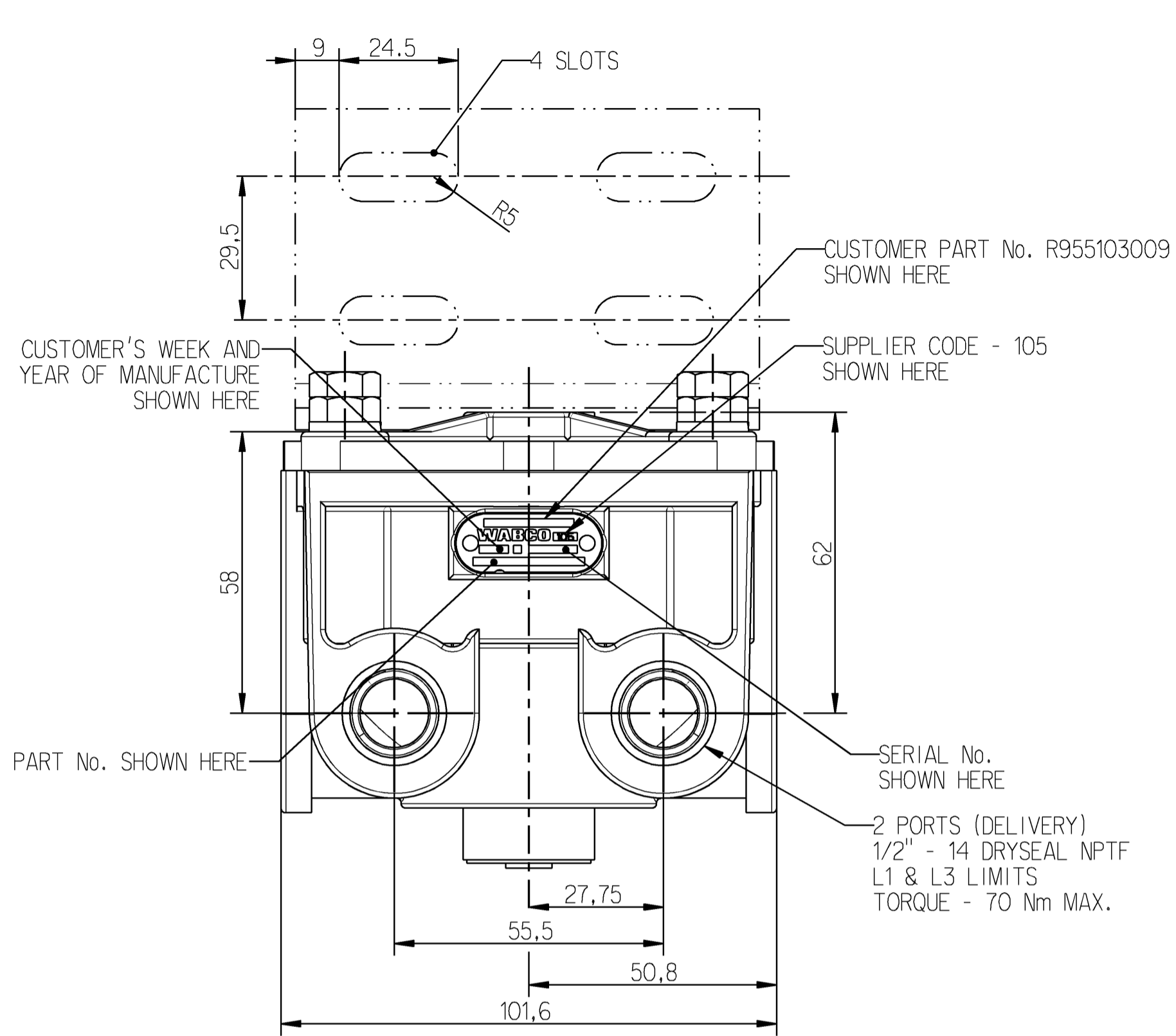
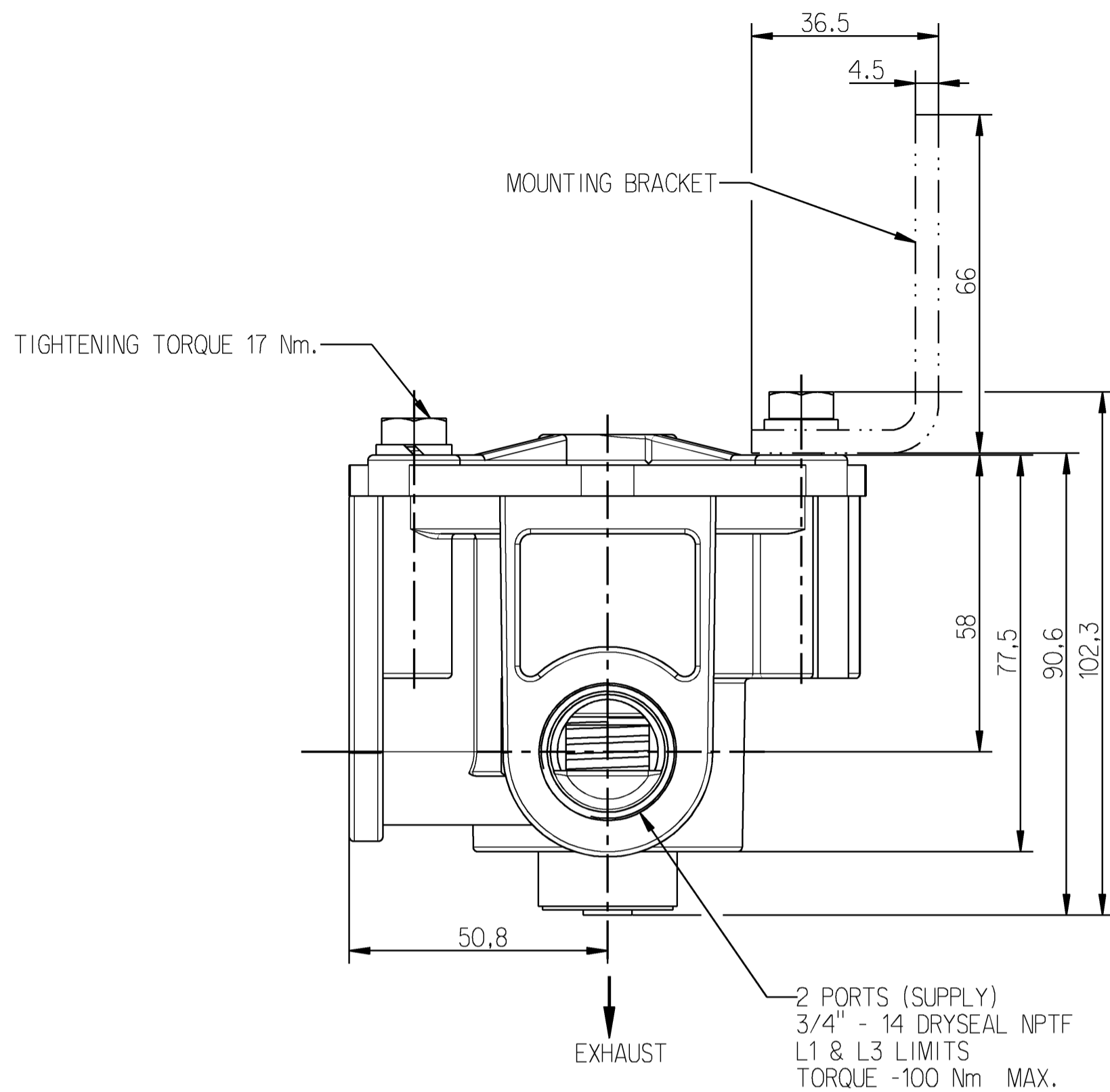


Non e' permesso copiare, o terzi o riprodurre questo documento, ne utilizzare il contenuto o renderlo comunque noto a terzi senza autorizzazione esplicita. Ogni infrazione costituisce un evidente abuso e comportera il risarcimento dei danni subiti. E' fatta riserva di tutti i diritti derivanti da brevetti o modelli.

Copying of this document and giving it to others and the use or communication of the contents hereof, are forbidden without express authority. Contention of this restriction will constitute an evident abuse and result in a liability to the payment of damages. All rights are reserved in the event of the grant of patent or registration of a utility model or design. This document is the subject of copyright.

Touta Communication ou reproduction de ce document, toute exploitation ou communication de son contenu sont interdites, sauf autorisation expresse. Tout manquement a cette regle constitue un abus evident et expose son auteur au versement de dommages et interets. Tous droits de propriete industrielle reserves, notamment en matiere de brevets et de modesles.

Wiederholung ohne Genehmigung dieser Unterlage, Vervielfachung ihres Inhalts nicht gestattet, soweit nicht ausdrücklich anders besprochen. Weitergabe an Dritte ist untersagt. Alle Rechte fuer den Fall der Patentierung oder Gebrauchsmuster-Eintragung vorbehalten.



- 1. RESERVOIR
- 2. DELIVERY
- 3. EXHAUST
- 4. CONTROL

TECHNICAL DATA:

MEDIUM : AIR

THERMAL RANGE OF APPLICATION : - 40°C TO +80°C

MAXIMUM WORKING PRESSURE : 9.4 bar

INSTALLATION POSITION : EXHAUST POSITION - VERTICAL

MOUNTING BRACKET SUPPLIED IN LOOSE CONDITION

OPEN PORTS ARE FITTED WITH CLOSURE PLUGS FOR STORAGE AND TRANSIT PURPOSES

General Specification: JED-334-0		Copyright WABCO®		WABCO		
Further Technical Data: 973 286 001 0		Date	Signature			
Doc. Code: 035	Sheet: 1 To 7	2011-12-29	R RAJU	RELAY VALVE - RV(B)		
General Tolerances JED-261		Checked				
Range of Nominal Dimensions (± mm)		2011-12-29		K BALAKRISHNAN		
Class 1)	≤ 50	> 50 ≤ 180	> 180 ≤ 400	> 400	Expert	
Fine	0.5	1.0	1.5	2.0	A GANESAMOORTHY	
Medium	X 1.0	2.0	3.0	4.0	Mass	Scale
Coarse	2.0	3.5	5.0	6.5	1.0	1:1
Tapped Holes acc. JED-686		A 2		Pro/E	Material No.	
1) Tolerance Class Applied Crossmarked		ECN-No.		Revision	Techn. Resp.	Date of first issue: 2005-12-06
		157390		1	B	Doc.Code Language Sheet
		973 286 001 0		5220_WIN		005 EN 1/1
		Replacement for		M303584		

100mm