

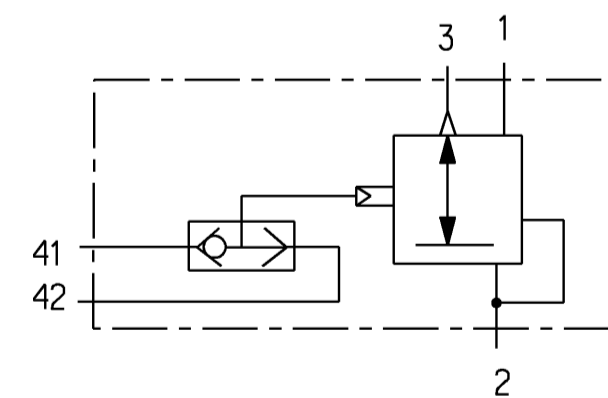
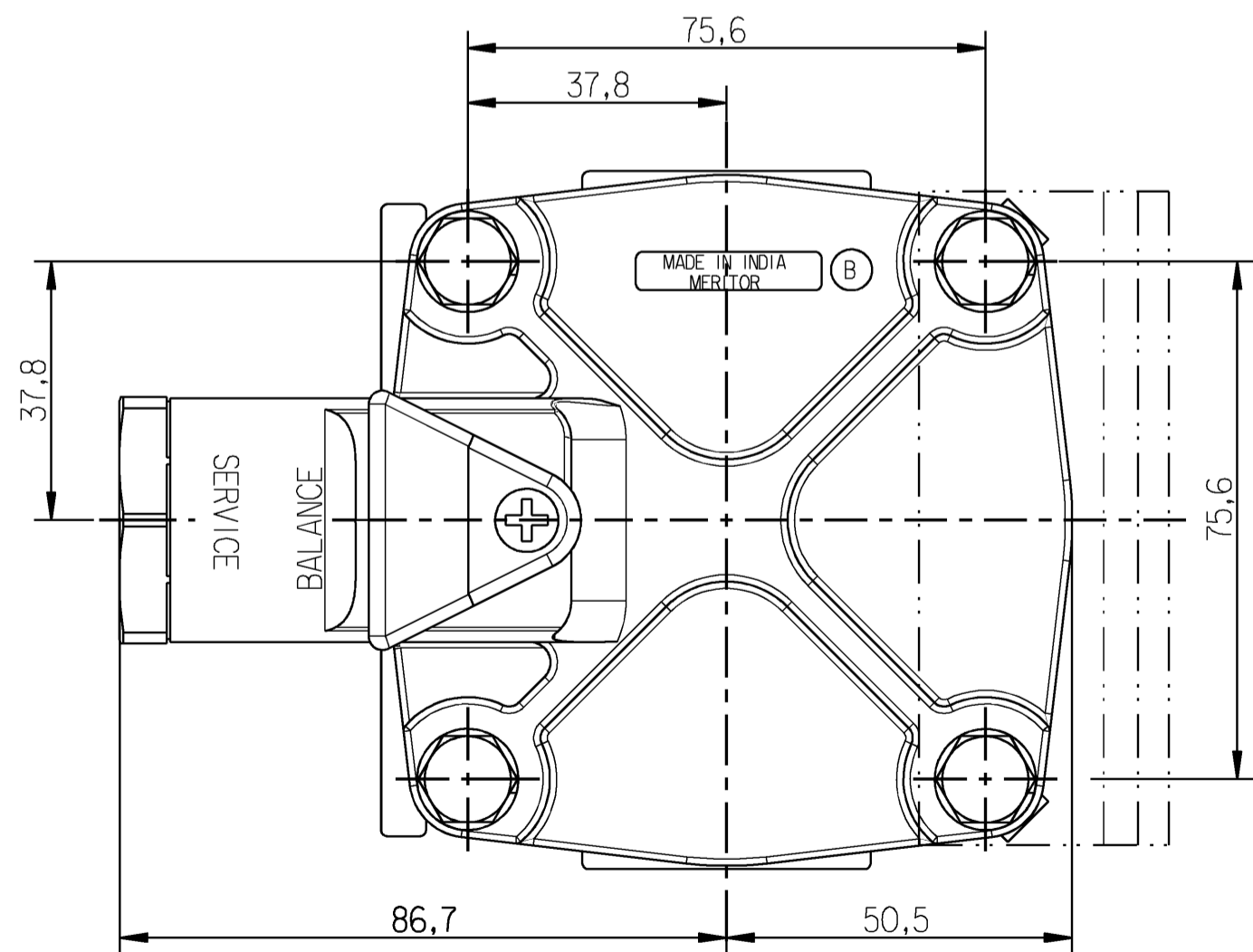
CUSTOMER PART No. R955103010 SHOWN HERE

SUPPLIER CODE - 105 SHOWN HERE

CUSTOMER'S WEEK AND YEAR OF MANUFACTURE SHOWN HERE

SERIAL No. SHOWN HERE

PART No. SHOWN HERE



- 1. SUPPLY
- 2. DELIVERY
- 3. EXHAUST
- 41. CONTROL
- 42. BALANCE

TECHNICAL DATA:

MEDIUM : AIR

THERMAL RANGE OF APPLICATION : -40°C TO +80°C

MAXIMUM WORKING PRESSURE : 9.4 bar

INSTALLATION POSITION : EXHAUST POSITION - VERTICAL

MOUNTING BRACKET SUPPLIED IN LOOSE CONDITION

OPEN PORTS ARE FITTED WITH CLOSURE PLUGS FOR STORAGE AND TRANSIT PURPOSES

General Specification: JED-334-0		Copyright WABCO®		WABCO		
Further Technical Data: 973 287 001 0		Date	Signature			
Doc. Code: 035	Sheet: 1 To 7	2011-12-29	R RAJU	RELAY VALVE, DOUBLE CHECK - RVDC (B)		
General Tolerances JED-261		Checked	K BALAKRISHNAN			
Range of Nominal Dimensions (± mm)		Expert		A GANESAMOORTHY		
Class 1)	≤ 50	> 50 ≤ 180	> 180 ≤ 400	> 400	Date of first issue: 2005-12-08	
Fine	0.5	1.0	1.5	2.0	Doc.Code Language Sheet	
Medium	X 1.0	2.0	3.0	4.0	005 EN 1/1	
Coarse	2.0	3.5	5.0	6.5	Replacement for	
Tapped Holes acc. JED-686		A 2		Pro/E	M303594	
1) Tolerance Class Applied Crossmarked		ECN-No. 157392		Revision 2	Techn. Resp. B	5221_WIN

Non e permesso copiare, o terzi o riprodurre questo documento, ne utilizzare il contenuto o renderlo comunque noto a terzi senza autorizzazione esplicita. Ogni infrazione costituisce un evidente abuso e comportera il risarcimento dei danni subiti. E' fatta riserva di tutti i diritti derivanti da brevetti o modelli.

Copying of this document and giving it to others and the use or communication of the contents hereof, are forbidden without express authority. Contention of this restriction will constitute an evident abuse and result in a liability to the payment of damages. All rights are reserved in the event of the grant of patent or registration of a utility model or design. This document is the subject of copyright.

Toute communication ou reproduction de ce document, toute exploitation ou communication de son contenu sont interdites, sauf autorisation expresse. Tout manquement a cette regle constitue un abus evident et expose son auteur au versement de dommages et interets. Tous droits de propriete industrielle reserves, notamment en matiere de brevets et de modes.

Weitergabe sowie Vervielfältigung dieser Unterlagen, Verwehren und Mitteilen ihres Inhalts nicht gestattet, soweit nicht ausdrücklich ansonsten anders angegeben. Wiederholungen stellen eine offensichtliche Missbrauch dar und verpflichten zu Schadensersatz. Alle Rechte für den Fall der Patenterteilung oder Gebrauchsmuster-Eintragung vorbehalten.