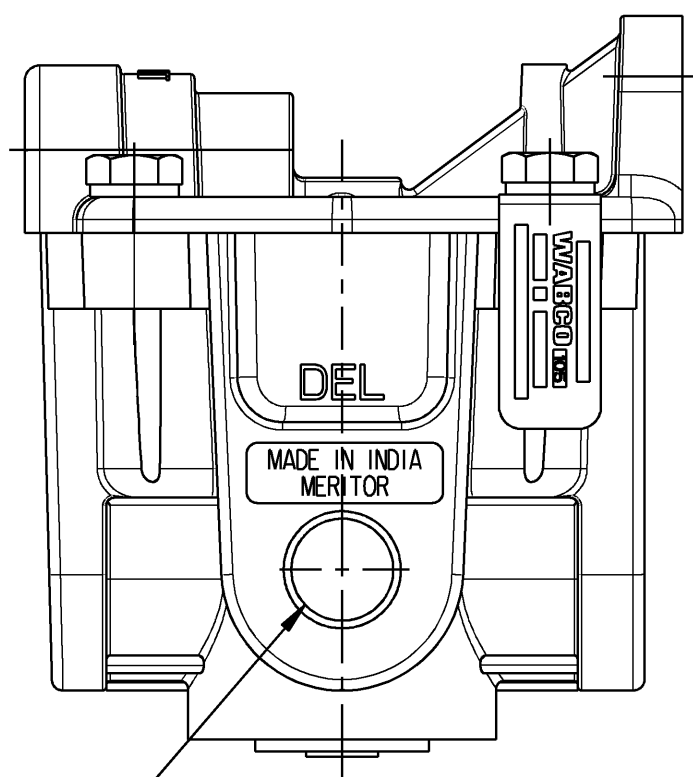


Non è permesso copiare, o terzi o riprodurre questo documento, né utilizzare il contenuto o renderlo comunque noto o terzi senza autorizzazione esplicita. Ogni infrazione costituisce un evidente abuso e comporterà il risarcimento dei danni subiti. È fatta riserva di tutti i diritti davanti da brevetti o modelli.

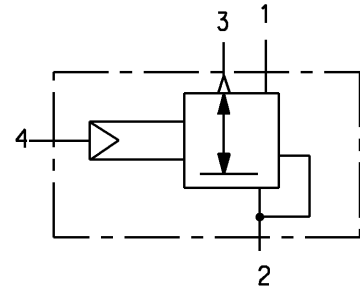
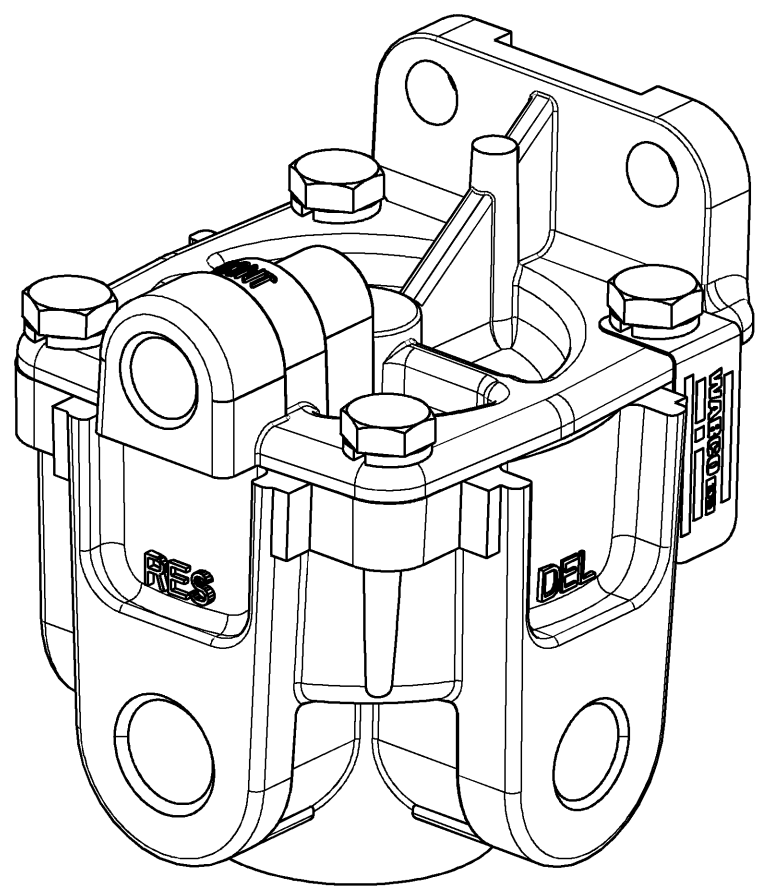
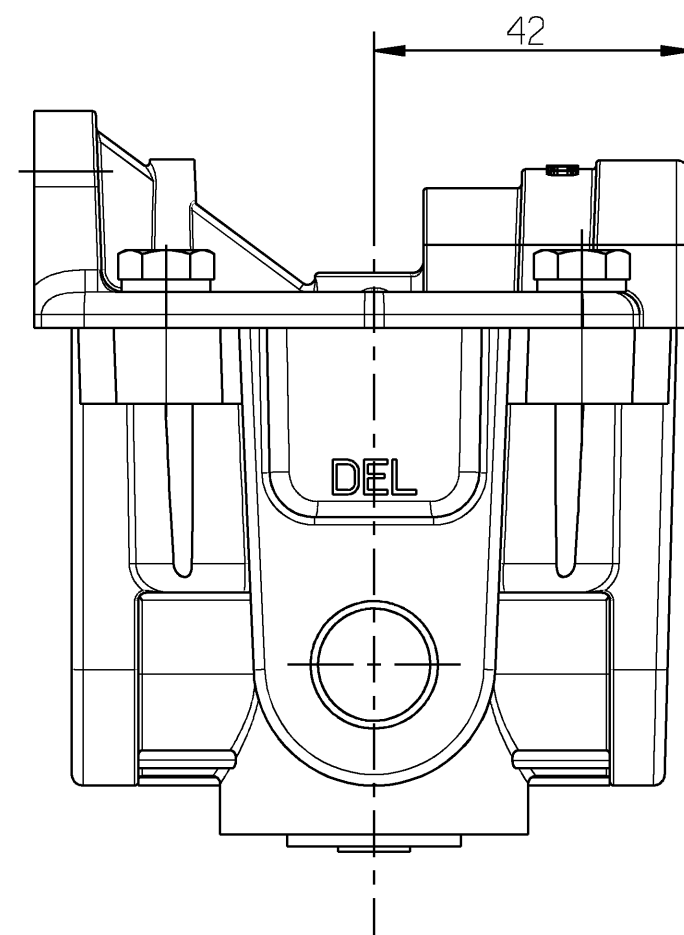
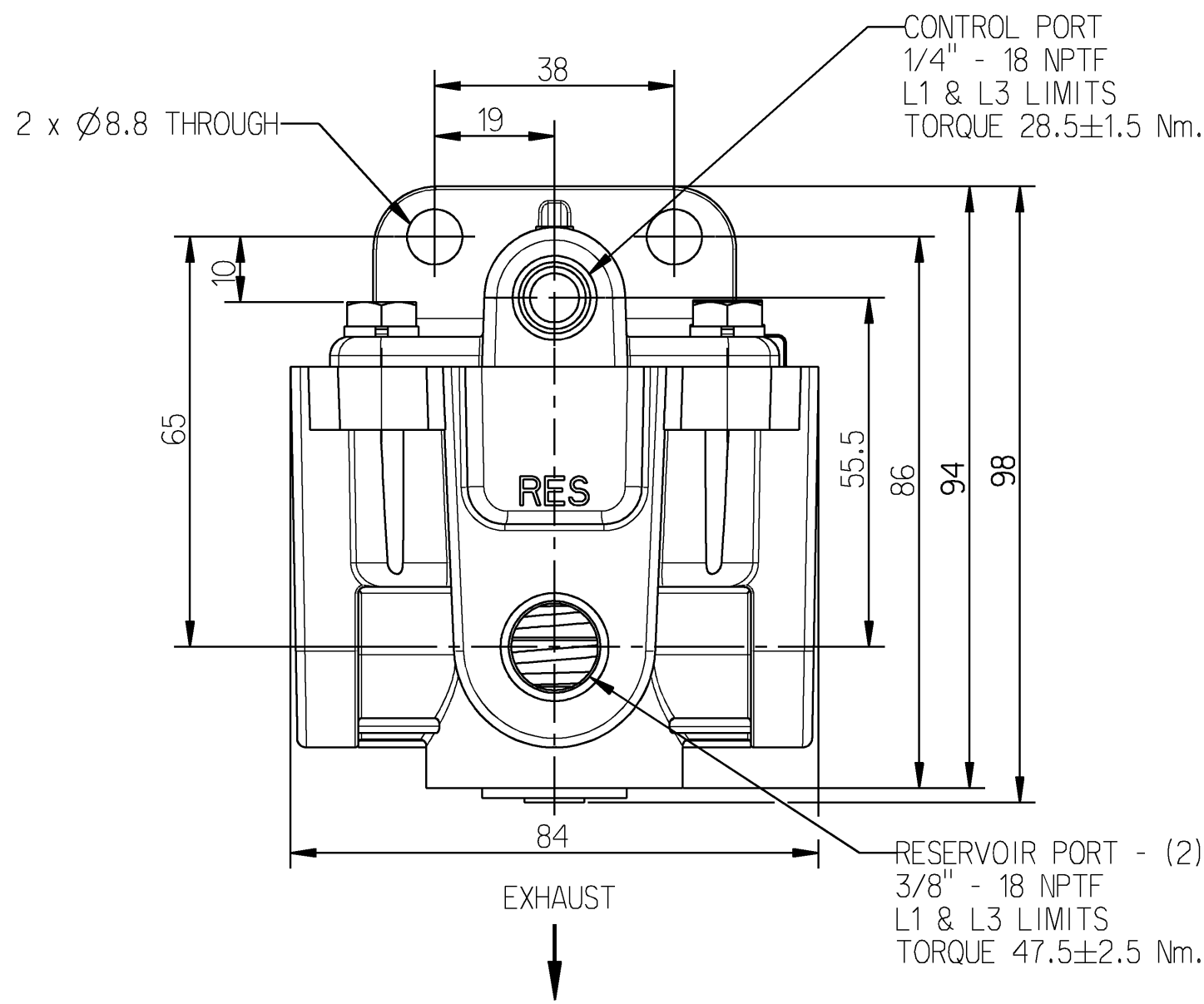
Copying of this document and giving it to others and the use or communication of the contents hereof, are forbidden without express authority. Contention of this restriction will constitute an evident abuse and result in a liability to the payment of damages. All rights are reserved in the event of the grant of patent or registration of a utility model or design. This document is the subject of copyright.

Tous droits de propriété industrielle réservés, notamment en matière de brevets et de modèles.

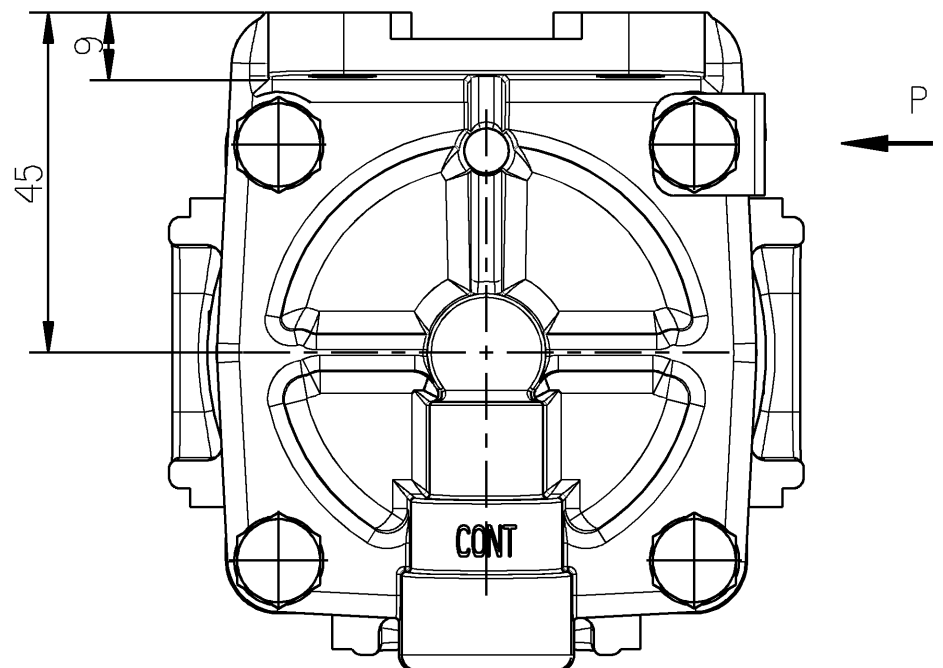
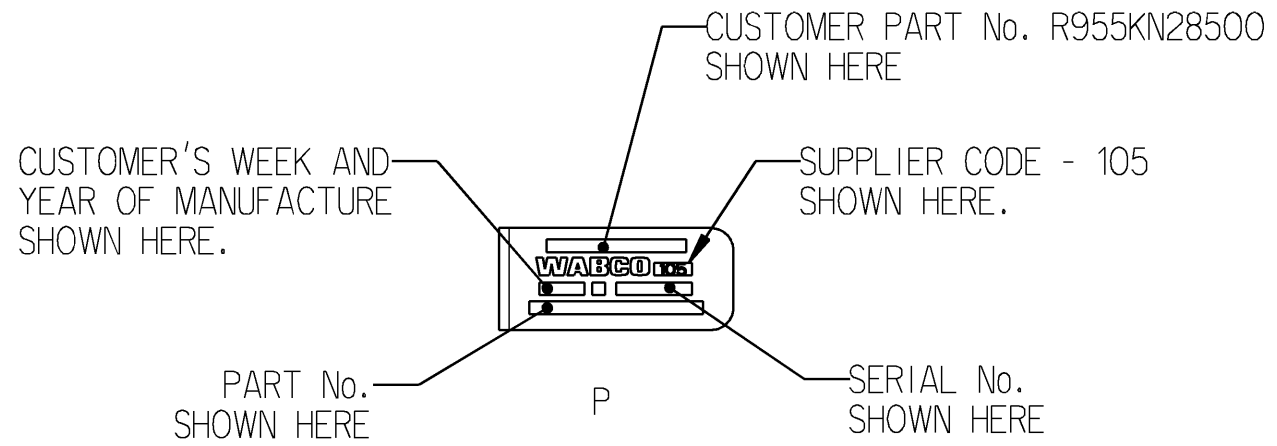
Werbung sowie Veröffentlichung dieser Unterlagen, Vervielfältigung und Mitteilung hierin ist nicht gestattet, soweit nicht ausdrücklich ansonsten anders angegeben ist. Weitergabe an Dritte ist ebenfalls untersagt. Alle Rechte sind vorbehalten.



DELIVERY PORT - (2)
3/8" - 18 NPTF
L1 & L3 LIMITS
TORQUE 47.5±2.5 Nm.



- 1. RESERVOIR
- 2. DELIVERY
- 3. EXHAUST
- 4. CONTROL



TECHNICAL DATA :

WORKING MEDIUM : AIR

THERMAL RANGE OF APPLICATION : -40°C TO +80°C

MAX. WORKING PRESSURE : 9.4 bar

OPEN PORTS ARE FITTED WITH CLOSURE PLUGS FOR STORAGE AND TRANSIT PURPOSES

General Specification: JED-334-O		Copyright WABCO®		WABCO		
Further Technical Data: 973 288 004 0		Date	Signature			
Doc. Code: 035	Sheet: 1 To 7	2011-12-29	R RAJU	RELAY VALVE, COMPACT - RVC(B)		
General Tolerances JED-261		Checked	K BALAKRISHNAN			
Range of Nominal Dimensions (± mm)		Expert		A GANESAMOORTHY		
Class 1)	≤ 50	> 50 ≤ 180	> 180 ≤ 400	> 400	Material No.	
Fine	0.5	1.0	1.5	2.0	0.5 kg	Scale
Medium	X 1.0	2.0	3.0	4.0	1:1	973 288 004 0
Coarse	2.0	3.5	5.0	6.5	Size	CAD System
Tapped Holes acc. JED-686		A 2	Pro/E	ECN-No.		Date of first issue: 2005-12-08
1) Tolerance Class Applied Crossmarked		⊕		157391	Revision	Doc.Code
				1	Techn. Resp.	Language
				B	5223_WIN	Sheet
						005 EN 1/1
						Replacement for
						M304213

100mm