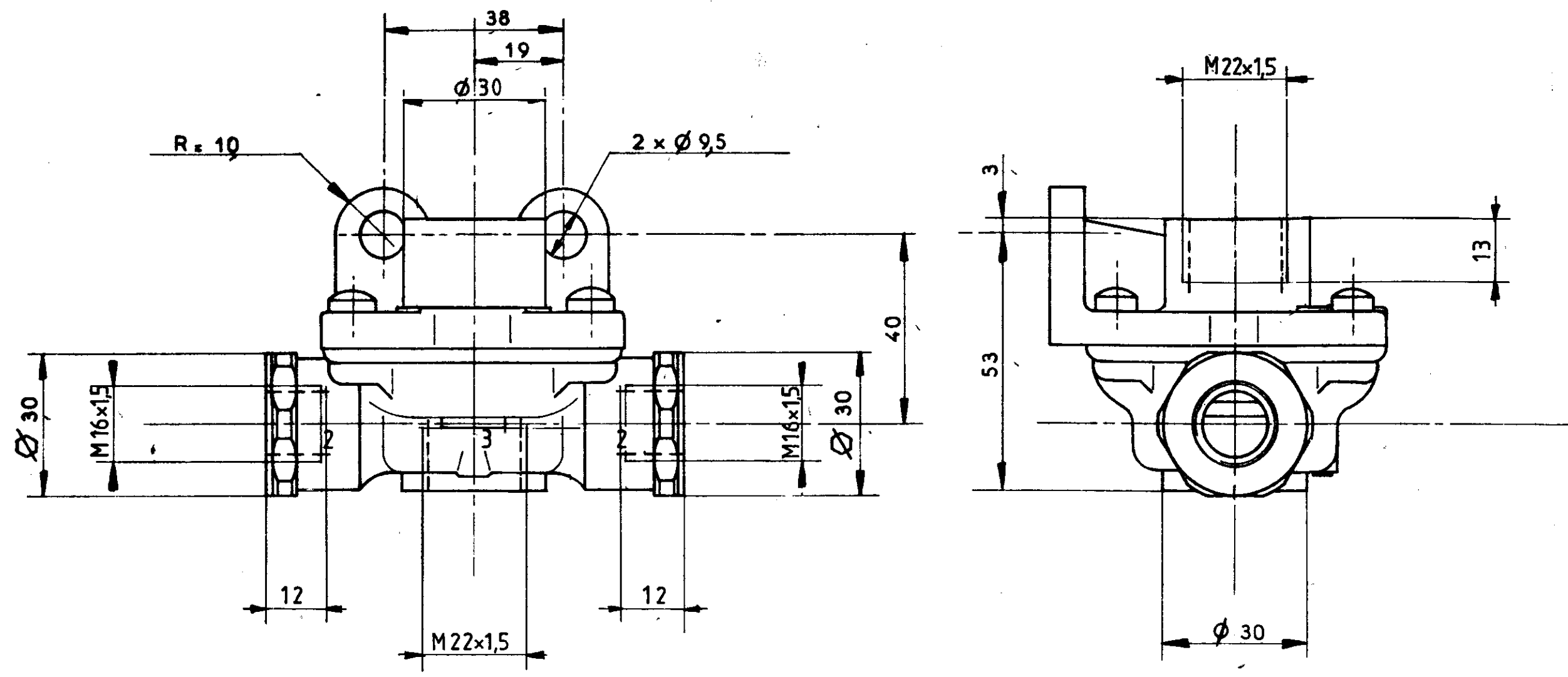
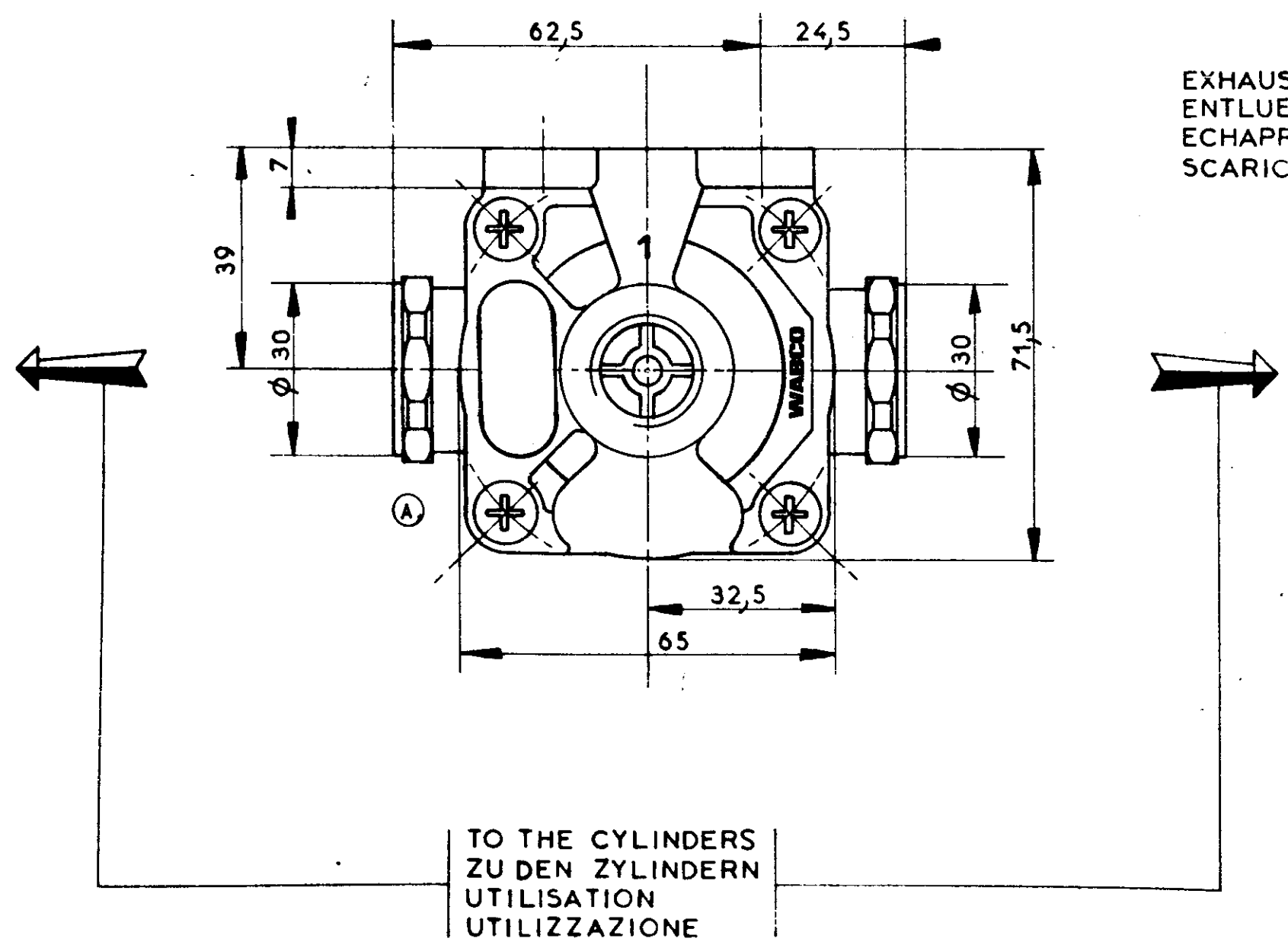


TIRAGE de :

INLET
VOM BREMSVENTIL
ALIMENTATION
ALIMENTAZIONE



EXHAUST
ENTLUEFTUNG
ECHAPPEMENT
SCARICO



TO THE CYLINDERS
ZU DEN ZYLINDERN
UTILISATION
UTILIZZAZIONE

FUNCTION OF THE DEVICE ZWECK DE GERÄTES FONCTION DE L'APPAREIL FUNZIONE DELL'APPARECCHIO	QUICK RELEASE VALVE SCHNELL-LOESEVENTIL VALVE DE DESSERRAGE RAPIDE VALVOLA DI SFRENTURA RAPIDO
MEDIUM MEDIUM FLUIDE FLUIDO	AIR LUFT AIR ARIA
MAX FREE PASSAGE MAX FREIER DURCHGANG PASSAGE LIBRE MAXI PASSAGIO LIBERO MASSIMO	$\phi 14 \text{ mm} = 154 \text{ mm}^2$
SERVICE PRESSURE BETRIEBSDRUCK PRESSIONE DE SERVICE PRESSIONE D'ESERCIZIO	MAXI : 10 bar
PERMISSIBLE TEMPERATURES THERM ANWENDBEREICH TEMPERATURE DE SERVICE TEMPERATURA D'ESERCIZIO	- 40°C +80°C

GENERAL EPIC ALTERNATIVE EPIC EPIC GENERALI EPIC GENERALI		BLANK SHEET - GENERALI BLANK SHEET - GENERALI	
TREATMENT - BEHANDLUNG TRATTAMENTO	SURFACE PROTECTION - OBERFLÄCHENSCHUTZ PROTEZIONE - PROTEZIONE	MATERIAL - MATERIALI MATERIALI - MATERIALI	
DATE 86-01-15	DRAWN TRAN	WABCO	
DATE 86-01-16	CHECKED BION	QUICK RELEASE VALVE SCHNELL-LOESEVENTIL VALVOLA DI SFRENTURA RAPIDA VALVE DE DESSERRAGE RAPIDE	
DATE 86 01 17	STANDARDIZATION 86002	CERTIFICATION CODE	
CHANGE NO 94 191	LET 1	DATE 94.10.31	SCALE 1:1
REPLACEMENT FOR	SIZE A2	Y.B.I. 210	CODE FOR PARTS 973 500 018 0
			CODE FOR DRAWING 531

INSCRIT