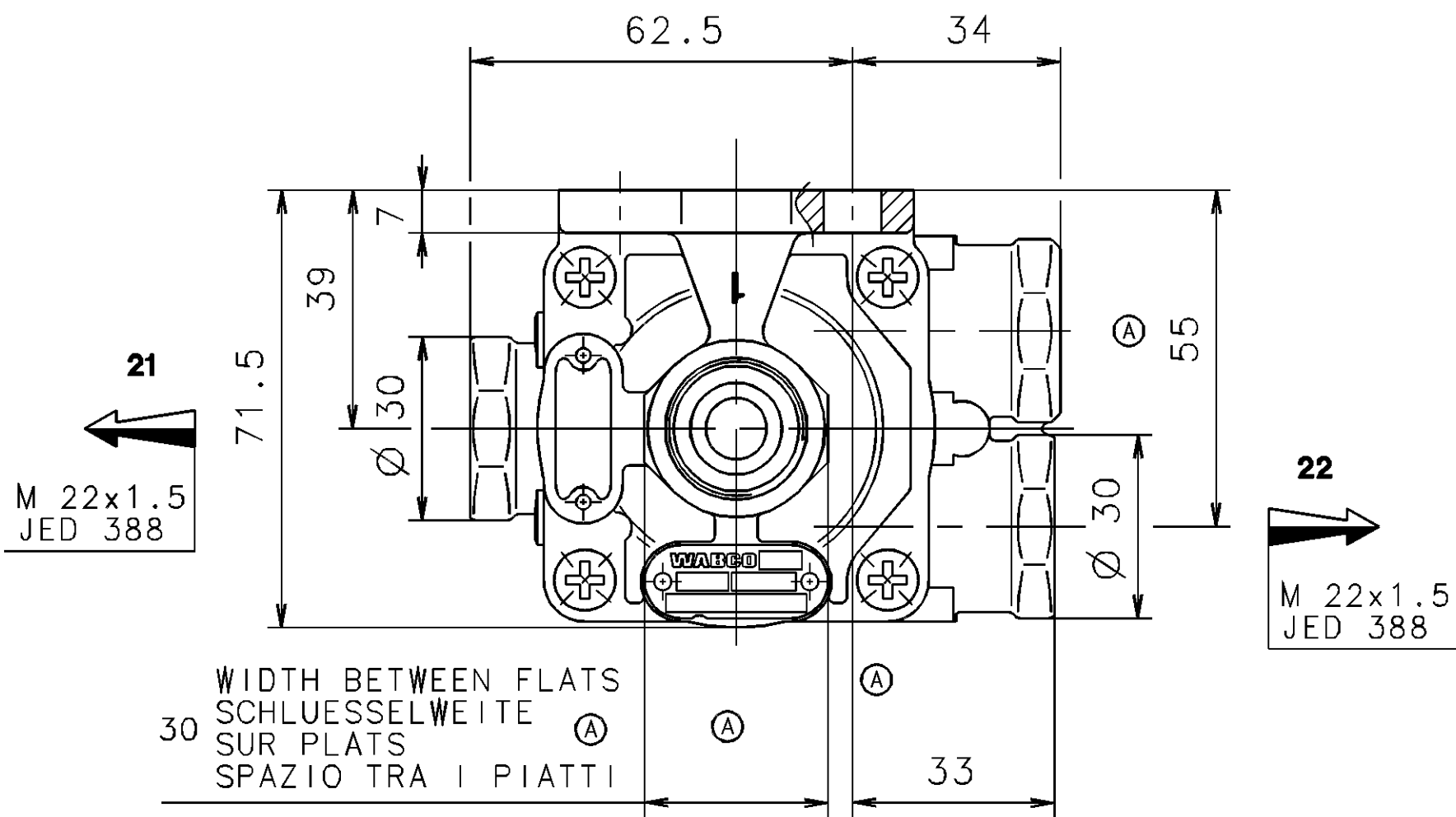


WIDTH BETWEEN FLATS  
SCHLUESSELWEITE  
SUR PLATS  
SPAZIO TRA I PIATTI  
3 x 30



WIDTH BETWEEN FLATS  
SCHLUESSELWEITE  
SUR PLATS  
SPAZIO TRA I PIATTI

	MATERIAL	SURFACE PROTECTION
I	JED 029 M3/Al	JED 259
II	JED 051 M1/Fe	JED 256

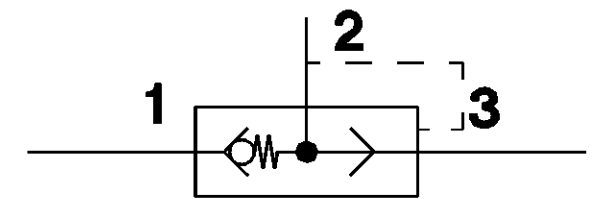
SUPPLY PRESSURE  
VORRATSDRUCK  
PRESSION PNEUMATIQUE D'ALIMENTATION 12,5 bar MAX  
PRESSIONE PNEUMATICA DI ALIMENTAZIONE

THERMAL RANGE  
THERM. ANWENDUNGSBEREICH  
TEMPERATURE D'UTILISATION -40°...+80°C  
TEMPERATURA DI UTILIZZAZIONE

TORQUE FOR CONNECTIONS  
ANZUGSMOMENT FUER SCHRAUBSTUTZEN 53 N.m MAX.  
COUPLE DE SERRAGE DES RACCORDS  
COPPIA DI SERRAGGIO DEI RACCORDI

- |           |  |
|-----------|--|
| <b>1</b>  | SUPPLY<br>VORRAT<br>ALIMENTATION<br>ALIMENTAZIONE    |
| <b>21</b> | DELIVERY<br>AUSGESTEUERTE LUFT                       |
| <b>22</b> | UTILISATION<br>UTILIZZAZIONE                         |
| <b>3</b>  | AIR EXHAUST<br>ENTLUEFTUNG<br>ECHAPPEMENT<br>SCARICO |
- MEDIUM : AIR  
MEDIUM : LUFT  
FLUIDE : AIR  
FLUIDO : ARIA

SYMBOL  
SYMBOL  
SYMBOLE  
SIMBOLO



FURTHER TECHNICAL DATA SEE		L	COPYRIGHT		<b>WABCO</b>
IDENTIFICATION NO.:		K	DATE	SIGNATURE	
CODE FOR DOCUMENT: 605 SHEET: TO		J	DRAWN		QUICK RELEASE VALVE SCHNELL LOESEVENTIL VALVE DE DESSERRAGE RAPIDE VALVOLA DI SFRENTURA RAPIDO
GENERAL TOLERANCES		H	CHECKED		
RANGE OF NOMINAL DIMENSIONS (± mm)		G	17-06-94 BION		
CLASS	1) ≤50	F	STANDARDIZATION		
	>50 ≤180	E	20-06-94 94 111		
	>180 ≤400	D	MASS	SCALE	PRODUCT IDENTIFICATION NO.
	>400	C	0,5 kg	1/1	973 500 042 0
	± 3'	B	SIZE	T.R.I.	CODE FOR DOCUMENT SHEET
TAPPED HOLES ACC.			A 2	210	605 1/1
1) TOLERANCE CLASS APPLIED CROSSMARKED			94 111 7x (A) 17-06-94		REPLACEMENT FOR (A)
			DCN-NO. REV. DATE		DRAWING OF 15-02-94

EXPERT CODE  TYPE OF PRODUCT

NON E' PERMESSO CONSEGNARE A TERZI O RIPRODURRE QUESTO DOCUMENTO, NE UTILIZZARNE IL CONTENUTO O RENDERSI  
 COME NOTE A TERZI SENZA AUTORIZZAZIONE ESPlicitA. CON INFRAZIONE COSTITUISCA UN EVIDENTE ABUSO E  
 DEL DANNO SUBITO. LA TALE RISERVA DI TUTTI I DIRITTI. BREVETTI, INVENTI O MODELLI,  
 DOCUMENTI, AND GIVING IT TO OTHERS AND THE USE OR COMMUNICATION OF THE  
 FORBIDDEN WITHOUT EXPRESS AUTHORITY. CONTRAVENTION OF THIS RESTRICTION WILL  
 ABUSE AND RESULT IN A LIABILITY TO THE PAYMENT OF DAMAGES. ALL RIGHTS ARE  
 RESERVED IN THE EVENT OF THE GRANT OF A PATENT OR THE REGISTRATION OF AN UTILITY MODEL OR DESIGN.  
 THIS DRAWING IS SUBJECT TO COPYRIGHT.