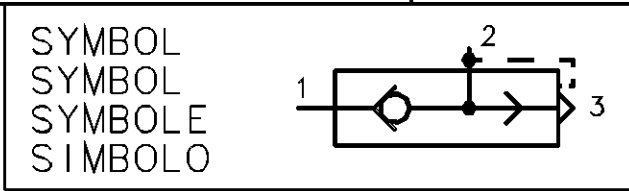
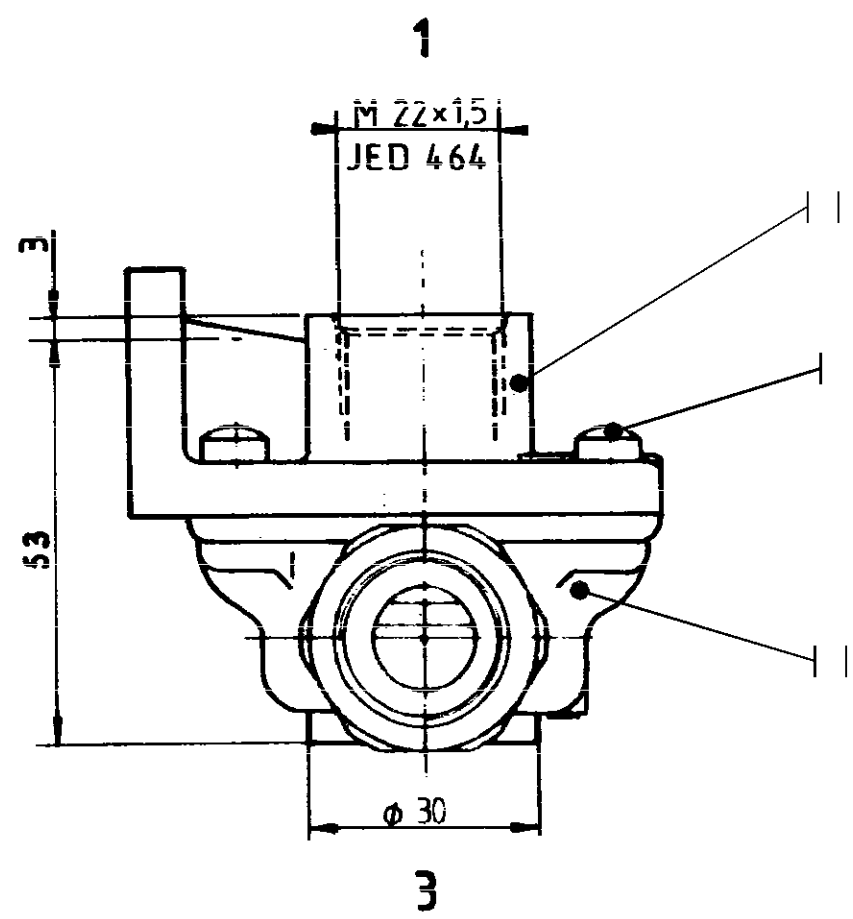
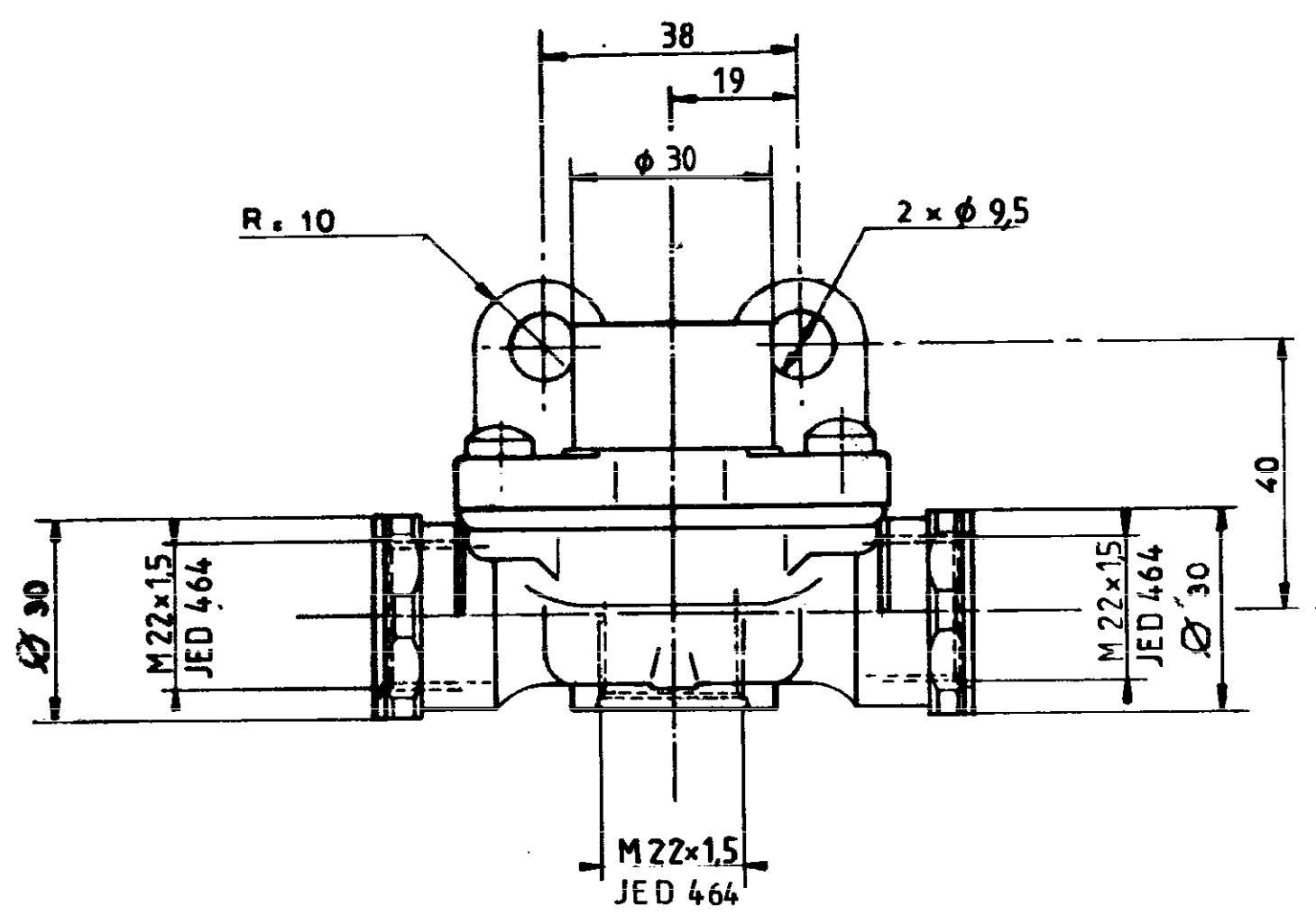


II	JED 029 M3/A1	240h ACCORDING TO ISO 9227 CASS
I	JED 020 M	JED 256
A	MATERIAL	SURFACE PROTECTION



SUPPLY PRESSURE VORRATSDRUCK PRESSION PNEUMATIQUE D'ALIMENTATION PRESSIONE PNEUMATICA DI ALIMENTAZIONE	12 BAR MAX
CONTROL FLUID STEURMEDIUM FLUIDE DE COMMANDE FLUIDO DI COMANDO	AIR LUFT AIR ARIA
THERMAL RANGE THERM. ANWENDUNGSBEREICH TEMPERATURE D'UTILISATION TEMPERATURA DI UTILIZZAZIONE	-40 °C...+80 °C

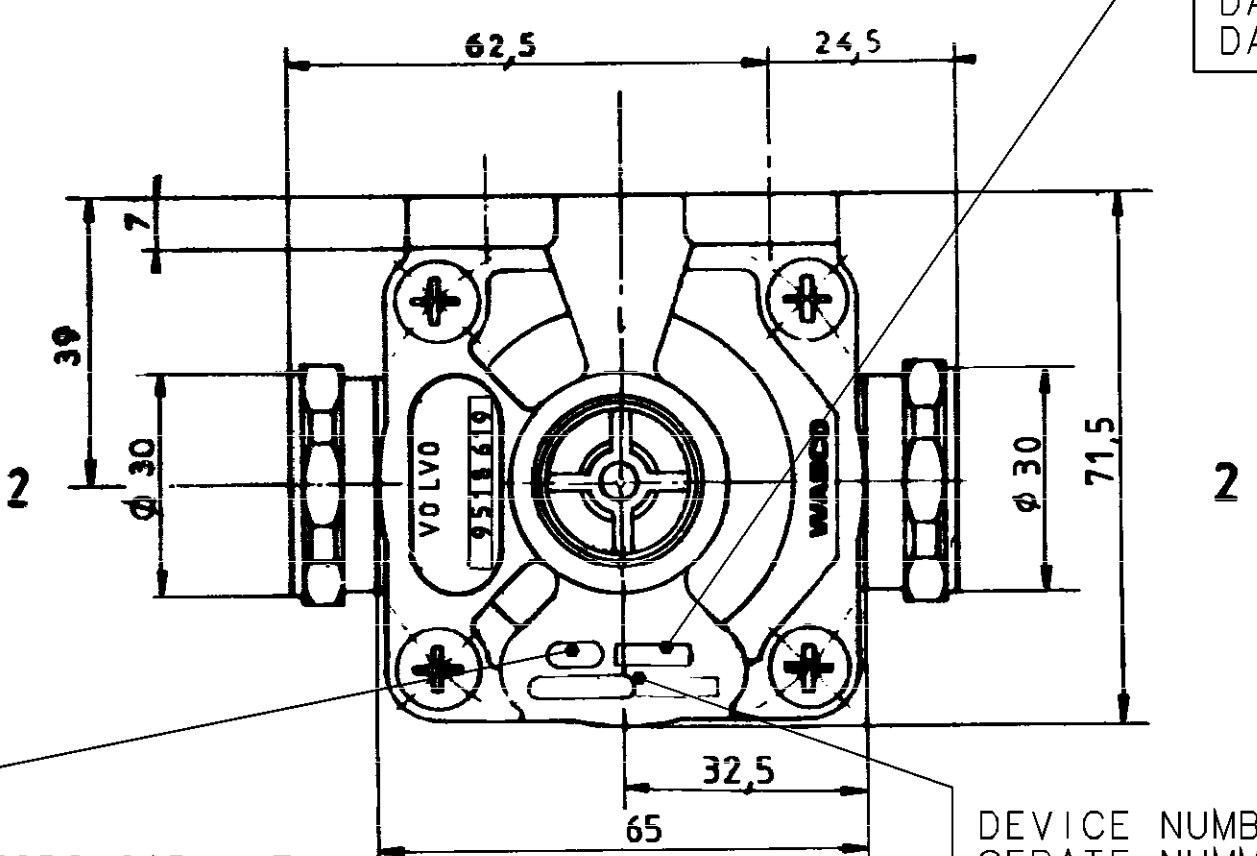


MAX FREE PASSAGE MAX FREIER DURCHGANG PASSAGE LIBRE MAXI PASSAGIO LIBERO MASSIMO	ø14mm = 154mm²
MARKING OF PORTS ANSCHLUSSKENNZEICHNUNG MARQUAGE DES ORIFICES MARCATURA DEGLI ORIFIZI	TORQUE FOR CONNECTIONS ANZUGSMOMENT FUER SCHRAUBSTUTZEN COUPLE DE SERRAGE DES RACCORDS COPPIA DI SERRAGGIO DEI RACCORDI

1	SUPPLY VORRAT ALIMENTATION ALIMENTAZIONE	53 Nm MAX
2	DELIVERY AUSGESTEUERTE LUFT UTILISATION UTILIZZAZIONE	53 Nm MAX
3	AIR EXHAUST ENTLUEFTUNG ECHAPPEMENT SCARICO	53 Nm MAX

NON E' PERMESSO CONSEGNARE A TERZI O RIPRODURRE QUESTO DOCUMENTO, NE UTILIZZARNE IL CONTENUTO O RENDERSI  
 COME NOTE A TERZI SENZA LA AUTORIZZAZIONE ESPLICITA. CON INFRAZIONE COSTITUISCA UN EVIDENTE ABUSO E  
 DEL DANNO SUBITO. LA FALSA RISERVA DI TUTTI I DIRITTI. BREVETTI, INVENTI O MODELLI.  
 COPIING OF THIS DOCUMENT, AND GIVING IT TO OTHERS AND THE USE OR COMMUNICATION OF THE  
 CONTENTS THEREOF, ARE FORBIDDEN WITHOUT EXPRESS AUTHORITY. CONTRAVENTION OF THIS RESTRICTION WILL  
 CONSTITUTE AN EVIDENT ABUSE AND RESULT IN A LIABILITY TO THE PAYMENT OF DAMAGES. ALL RIGHTS ARE  
 RESERVED IN THE EVENT OF THE GRANT OF A PATENT OR THE REGISTRATION OF AN UTILITY MODEL OR DESIGN.  
 THIS DRAWING IS SUBJECT TO COPYRIGHT.

DATE OF MANUFACTURING OF DEVICE  
 HERSTELLDATUM DES GERAATES JED 226  
 DATE DE FABRICATION DE L'APPAREIL  
 DATA DI FABRIZIONE DEL L'APPARECCHIO



PRODUCTION RESPONSIBILITY  
 RESPONSABILITE DE PRODUCTION JED 225

DEVICE NUMBER  
 GERATE NUMMER  
 NUMERO DE L'APPAREIL  
 NUMERO DEL L'APPARECCHIO

FURTHER TECHNICAL DATA SEE		L	COPYRIGHT		<b>WABCO</b>
IDENTIFICATION NO.:		K	DATE	SIGNATURE	
CODE FOR DOCUMENT: 605 SHEET: TO		J	DRAWN		QUICK RELEASE VALVE SCHNELLE-LOESEVENTIL VALVE DE DESSERRAGE RAPIDE VALVE DI SFRENATURA RAPIDO
GENERAL TOLERANCES		H	CHECKED		
RANGE OF NOMINAL DIMENSIONS (± mm)		G	95-01-09 BION		
CLASS	1) ≤50	F	STANDARDIZATION		
	> 50 ≤180	E	95-01-09 95006		
	> 180 ≤400	D	MASS	SCALE	PRODUCT IDENTIFICATION NO.
	> 400	C	0,3g	1/1	973 500 044 0
I	0,5	B	SIZE	T.R.I.	CODE FOR DOCUMENT SHEET
II	1,0		A 2	210	605 1/1
III	2,0		REPLACEMENT FOR		
TAPPED HOLES ACC. ISO 4039 / JED-152		97309	1xA	97-04-10	
1) TOLERANCE CLASS APPLIED CROSSMARKED		DCN-NO.	REV.	DATE	