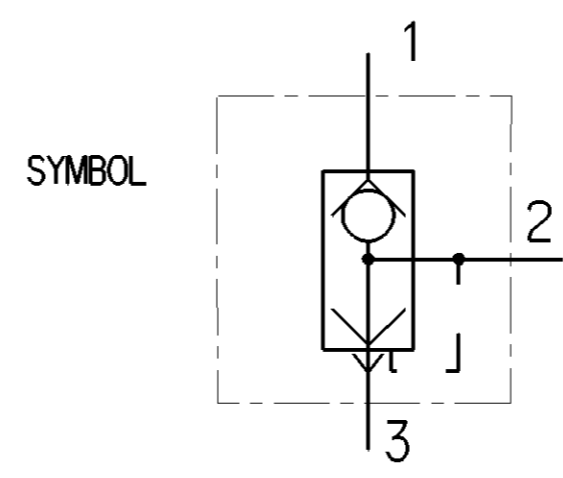
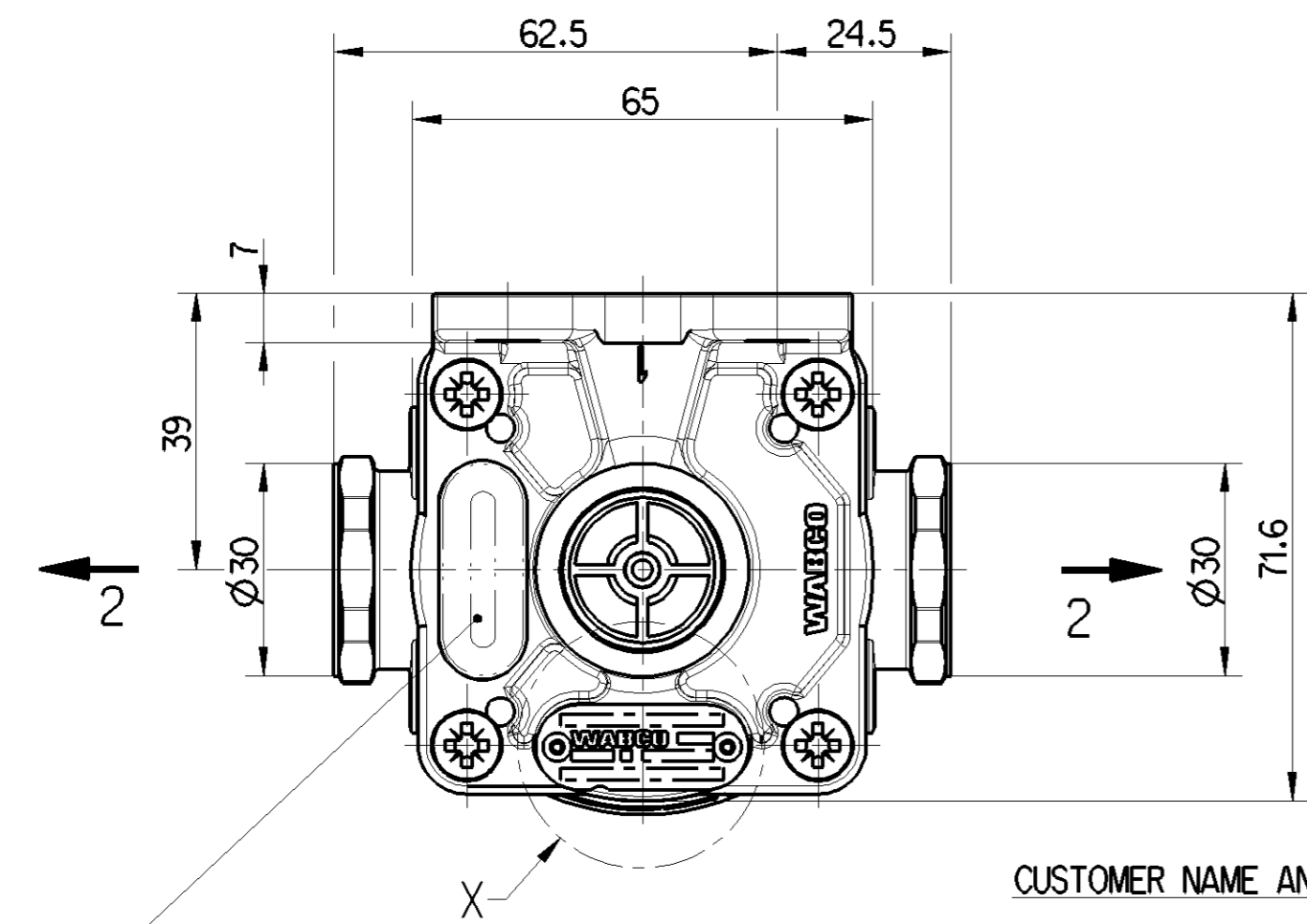
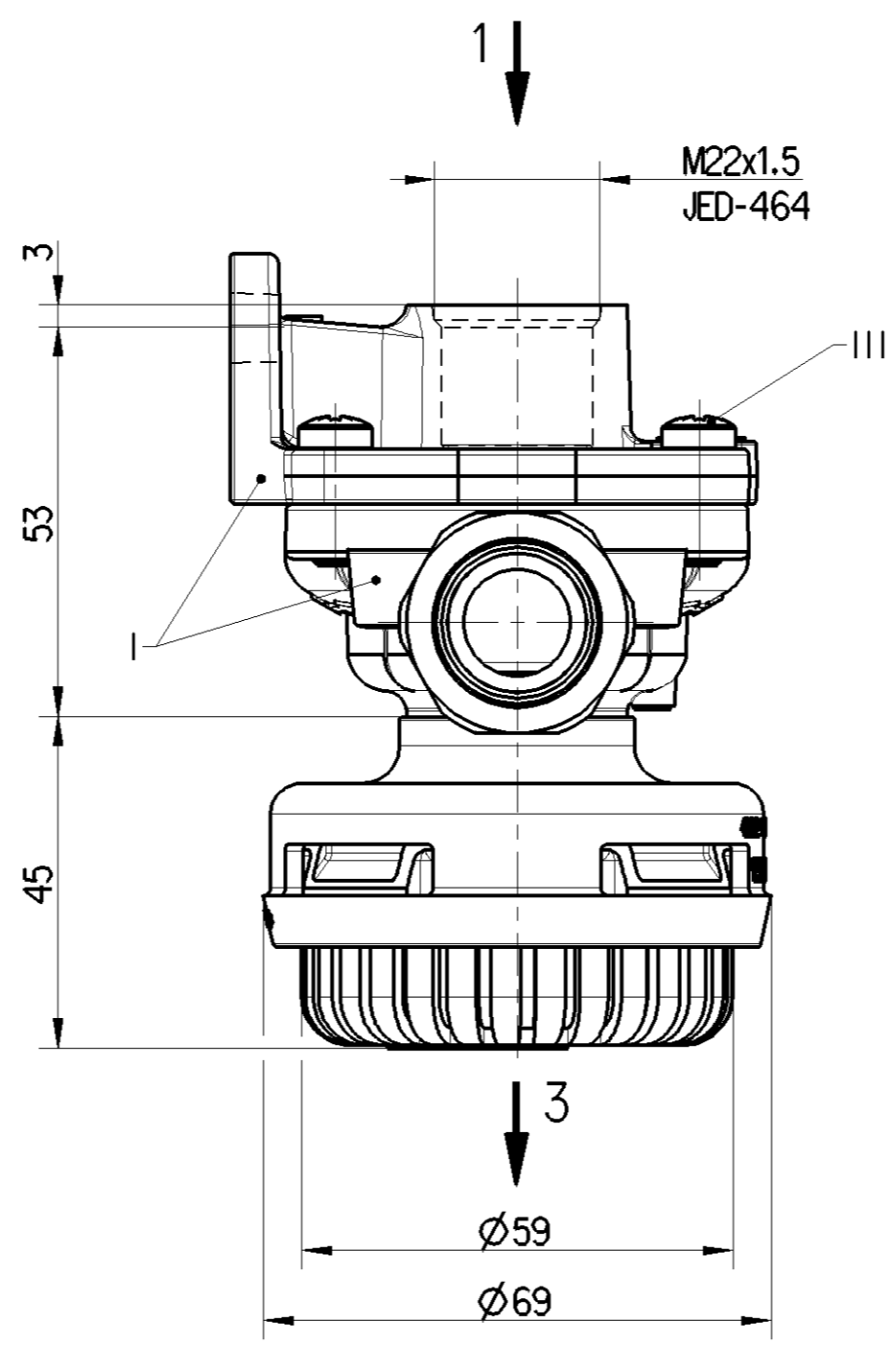
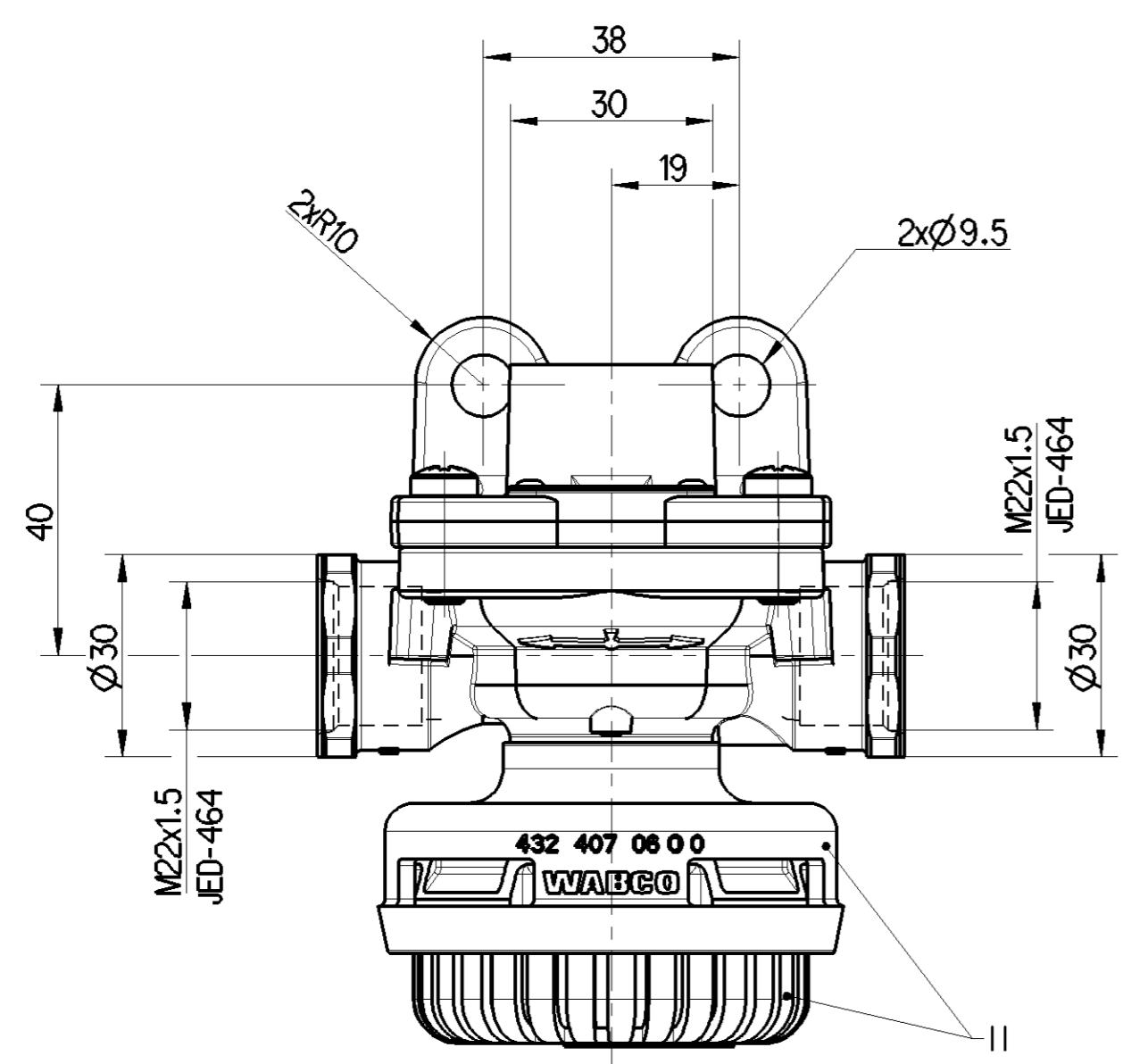


A
B



SUPPLY PRESSURE	12 bar MAX
CONTROL FLUID	AIR
THERMAL RANGE	-40°C...+80°C
MAX FREE PASSAGE	Ø 14 [mm] = 154 [mm ²]
MARKING OF PORTS	TORQUE FOR CONNECTIONS
1 SUPPLY	53 Nm MAX
2 DELIVERY	53 Nm MAX
3 AIR EXHAUST	10±1.5 Nm (B)
NOISE	≤ 72dB (A)

REF.	MATERIAL	SURFACE PROTECTION
I	JED-029M3/AI	JED-259
II	JED-354.1/PA6.6	
III	JED-051M1	JED-256-1

Non e permesso copiare, o terzi o riprodurre questo documento, ne utilizzare il contenuto o renderlo comunque noto a terzi senza autorizzazione esplicita. Ogni infrazione costituisce un evidente abuso e comporterà il risarcimento dei danni subiti. E' fatta riserva di tutti i diritti derivanti da brevetti o modelli.

Copying of this document and giving it to others and the use or communication of the contents thereof, are forbidden without express authority. Contravention of this restriction will constitute an evident abuse and result in a liability to the payment of damages. All rights are reserved in the event of the grant of patent or registration of a utility model or design. This document is the subject of copyright.

Tout communication ou reproduction de ce document, toute exploitation ou communication de son contenu sont interdites, sauf autorisation expresse. Tout manquement a cette regle constitue un abus evident et expose son auteur au versement de dommages et interets. Tous droits de proprieite industrielle reserves, notamment en matiere de brevets et de modesles.

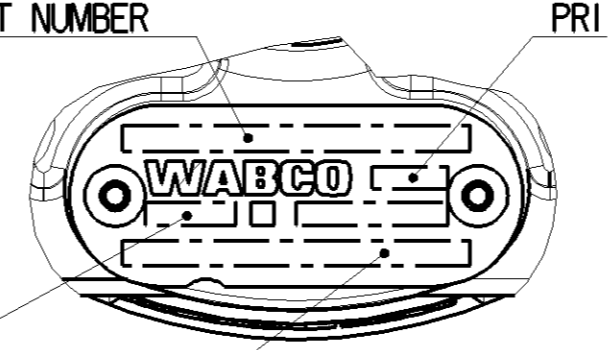
Wiedergabe sowie Vervielfältigung dieser Unterlagen, Verleihen und Mitteilung ihres Inhalts nicht gestattet, soweit nicht ausdrücklich ansonsten, zweckmäßigem, wiederholtem, stellen eines, offenschlüssigen, Missbrauch dar und verpflichtet zu Schadensersatz. Alle Rechte hier den Fall der Patenterteilung oder Gebrauchsmuster-Eintragung vorbehalten.

CUSTOMER NAME AND CUSTOMER PART NUMBER

CUSTOMER IDENTIFICATION NUMBER

DATE OF MANUFACTURE

WABCO IDENTIFICATION NUMBER



General Specification: JED-334-1, Size ISO 14405 LP		Copyright WABCO®		WABCO	
Further Technical Data:		Date	Signature	QUICK RELEASE VALVE	
Doc. Code:	Sheet: To	2019-07-19	Błaszkiwicz		
General Tolerances JED-261		Checked	2019-07-31	Smarcz	
Range of Nominal Dimensions (± mm)		Expert		Smarcz	
Class 1)	≤ 50 > 50 ≤ 180 > 180 ≤ 400 > 400	Mass	Scale	Material No.	
Fine	±0.1	0.4 kg	1:1	973 500 045 0	
Medium	±0.2	Size	CAD System	Date of first issue: 2011-11-08	
Coarse	±0.3	A 2	CREO	Doc.Code Language Sheet	
Tapped Holes acc. JED-152		ECN-No.		005 EN 1/1	
1) Tolerance Class Applied Crossmarked		Revision		Replacment for	
		1x B		884 608 682 0	
		Techn. Resp.		100mm	