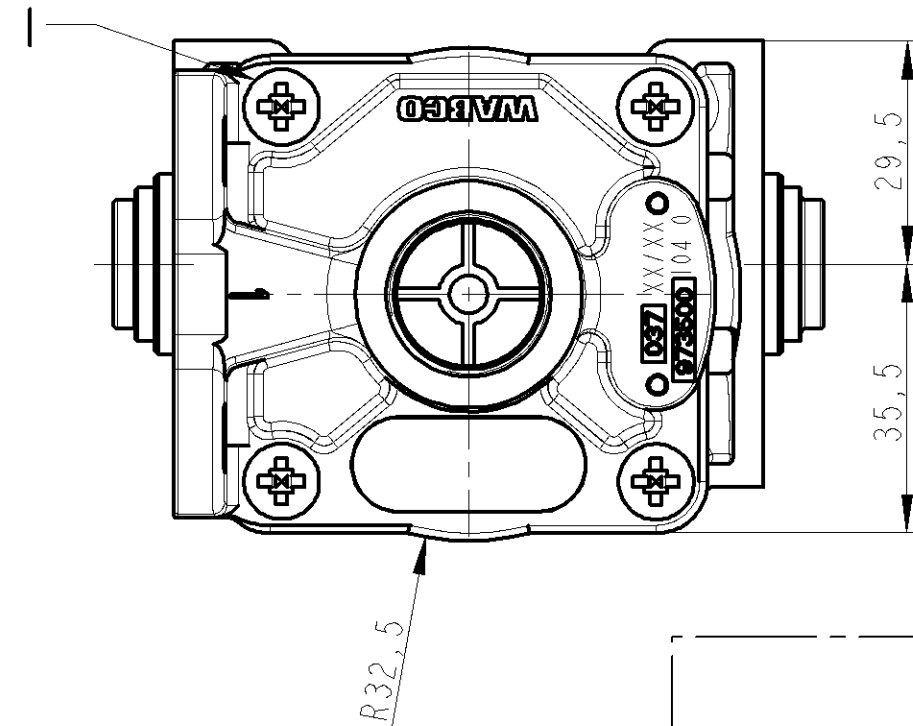
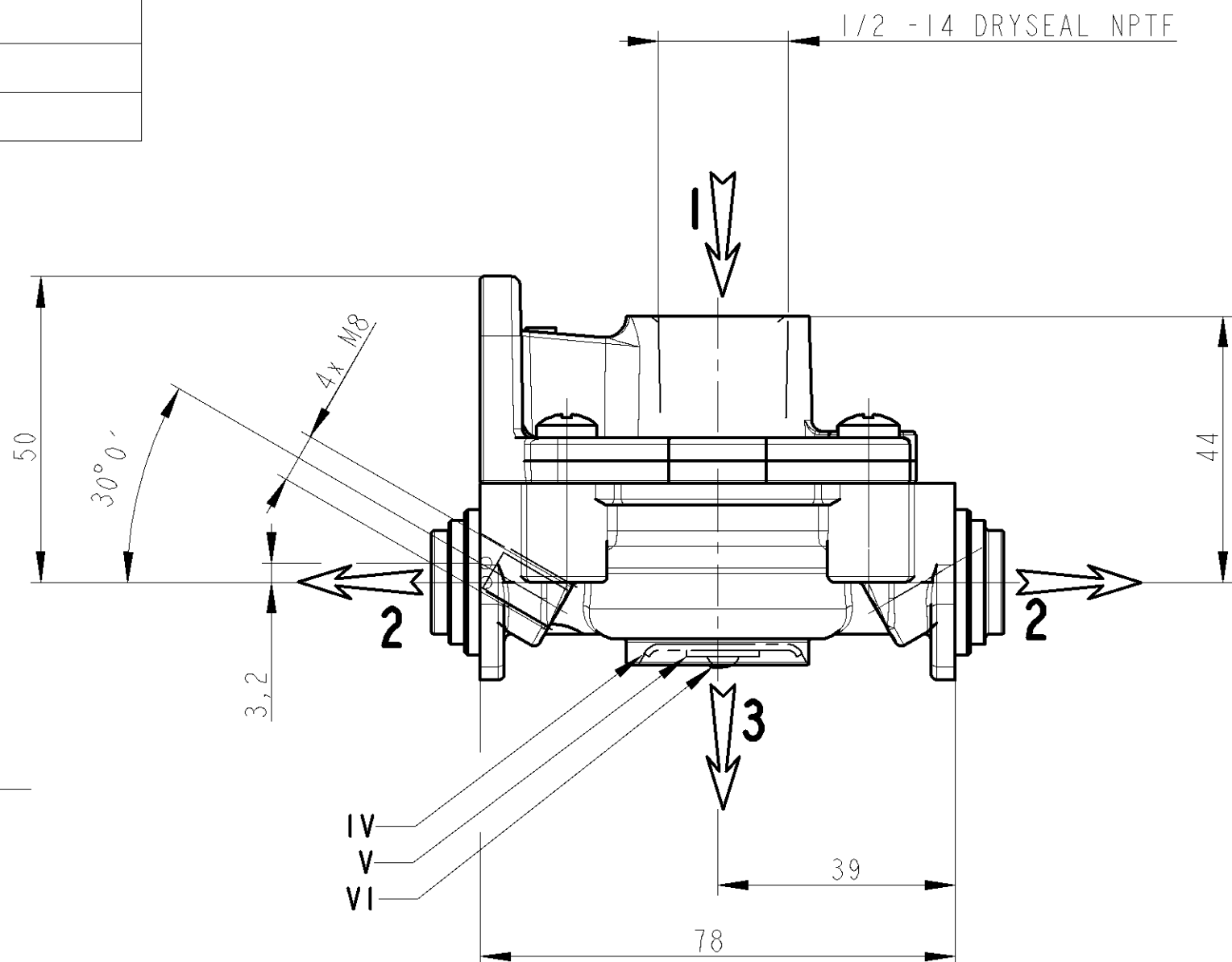
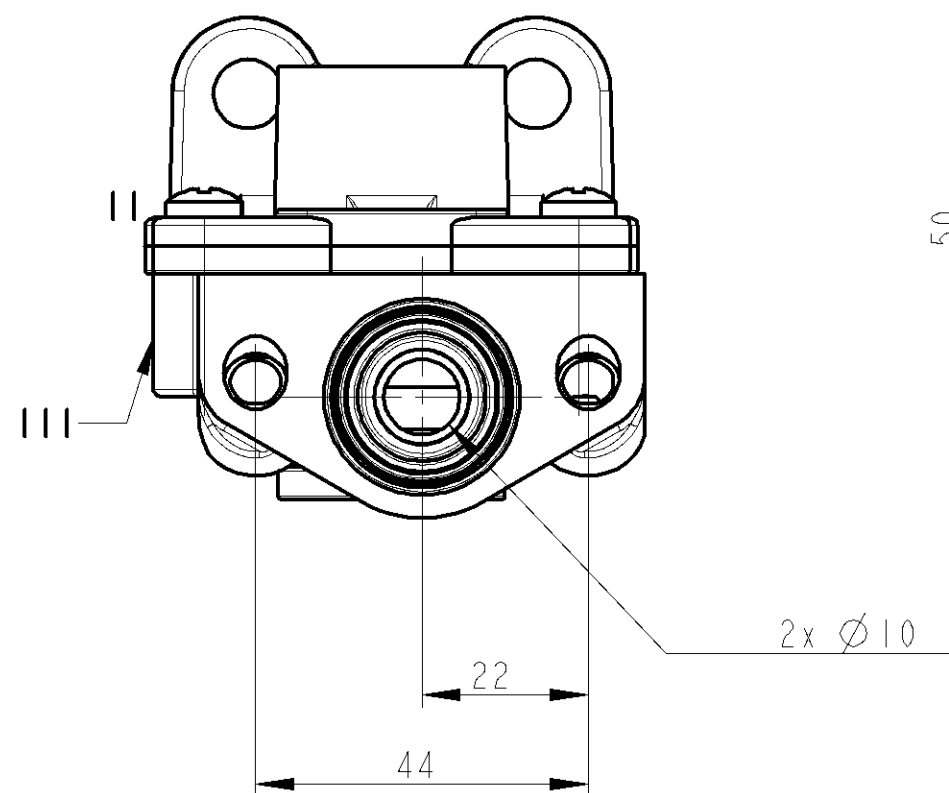


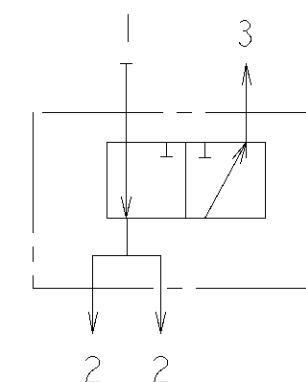
SURFACE PROTECTION
 OBERFLAECHENSCHUTZ
 PROTECTION DE SURFACE
 PROTEZIONE SUPERFICIA

MATERIAL
 WERKSTOFF
 MATIERE
 MATERIALE

I	JED 256	JED 051 M1
II	JED 259	JED 029 M1
III	JED 259	JED 029 M3
IV		JED 235
V		JED 562
VI		JED624



TESTING SCHEME
 SYMBOL
 SCHEMA DE PRINCIPE
 SCHEMA DI PRINCIPIO



THERMAL RANGE
 THERM. ANWENDUNGSBEREICH
 TEMPERATURE D'UTILISATION
 TEMPERATURA DI UTILIZZAZIONE
 -40°C...+80°C

MEDIUM: AIR
 MEDIUM: LUFT
 FLUIDE: AIR
 FLUIDO: ARIA
 10 BAR MAX

MAX FREE PASSAGE
 MAX FREIER DURCHGANG
 PASSAGE MAXI LIBRE
 PASSAGIO LIBERO MASSIMO
 Ø 10mm=78mm²

MARKING OF PORTS
 KENNZEICHNUNG DER ANSCHLUESSE
 MARQUAGE DES ORIFICES
 MARCATURA DEGLI ORIFIZI
 TORQUE FOR CONNECTIONS
 ANZUGMOMENT FÜR EINSCHRAUBSTUTZEN
 COUPLE DE SERRAGE DES RACCORDS
 COPPIA DI SERRAGGIO DEI RACCORDI

1 SUPPLY
 VORRAT
 ALIMENTATION
 ALIMENTAZIONE
 16 Nm MAX

2 DELIVERY PRESSURE
 AUSGESTEUERTER DRUCK
 PRESSION DELIVREE
 PRESSIONE EROGATA

3 EXHAUST
 ENTLUEFTUNG
 ECHAPPEMENT
 SCARICO

NON E' PERMESSO CONSEGNARE A TERZI O RIPRODURRE QUESTO DOCUMENTO, NE UTILIZZARNE IL CONTENUTO O RENDERSI
 RESPONSABILI PER LA RIPRODUZIONE, LA DISTRIBUZIONE, L'USO, L'ADDETTAMENTO, LA REPLICAZIONE, L'IMITAZIONE, L'ABUSO E
 LA FALSIFICAZIONE ESPlicitA, OGNI INFRAZIONE COSTITUISCE UN EVIDENTE ABUSO E
 COMPIRE IL RISARCIMENTO DEI DANNI SUBITI. FATTA RISERVA DI TUTTI I DIRITTI DERIVANTI DAI BREVETTI O MODELLI.
 COPIING OF THIS DOCUMENT, AND GIVING IT TO OTHERS AND THE USE OR COMMUNICATION OF THE
 CONTENTS THEREOF, ARE FORBIDDEN WITHOUT EXPRESS AUTHORITY. CONTRAVENTION OF THIS RESTRICTION WILL
 BE CONSIDERED AN EVIDENT ABUSE AND RESULT IN A LIABILITY TO THE PAYMENT OF DAMAGES. ALL RIGHTS ARE
 RESERVED IN THE EVENT OF THE GRANT OF A PATENT OR THE REGISTRATION OF AN UTILITY MODEL OR DESIGN.
 THIS DRAWING IS SUBJECT TO COPYRIGHT.

TOUTE COMMUNICATION OU REPRODUCTION DE CE DOCUMENT, TOUTE EXPLOITATION OU COMMUNICATION DE SON CONTENU SONT
 INTERDITES, SAUF AUTORISATION EXPResse. TOUT MANQUEMENT A CETTE REGLE
 ET EXPOSE SON AUTEUR AU VERSEMENT DE DOMMAGES ET INTERETS, TOUS DROITS
 RESERVES. NOTAMMENT EN MATIERE DE BREVETS ET DE MODELES.
 MITTEILUNG IHRES INHALTS
 STELLEN EINEN OFFENSICHTLICHEN
 ABUSE UND ERGEBEN IN EINER
 VERANTWORTUNG FÜR DEN FALL DER
 PATENTIERUNG ODER
 GEBRAUCHSMUSTER. - EINTRAGUNG VORBEHALTEN.

FURTHER TECHNICAL DATA SEE		-	L	-	COPYRIGHT		WABCO	
IDENTIFICATION NO.:		-	K	-	DATE	SIGNATURE		
CODE FOR DOCUMENT: 605 SHEET: TO		-	J	-	14/11/00	DRAWN ROSSARD		
GENERAL TOLERANCES		-	H	-	14/11/00	CHECKED CABIRO		
CLASS	RANGE OF NOMINAL DIMENSIONS (± mm)				-	F	-	
	I)	< 50	< 180	< 400	> 400	-	E	-
I	0,5	1,0	1,5	2,0	± 3°	-	D	-
II	1,0	2,0	3,0	4,0		-	C	-
III	2,0	3,5	5,0	6,5		-	B	-
TAPPED HOLES ACC. ISO 4039 / JED-152		00 456	1xA	14/11/00	MASS SCALE		PRODUCT IDENTIFICATION NO.	
1) TOLERANCE CLASS APPLIED CROSSMARKED		DCN-NO.	REV.	DATE	0,286 kg	1,000	973 500 104 0	
					A 2	210	CODE FOR DOCUMENT SHEET	
					SIZE T.R.I.		605 / 1	
					CODE F.PROD.-GROUP CODE FOR SHAPE		REPLACEMENT FOR	
					-		973 500 104 0-653 (A)	

PART NAME: 9735001040
 DRAWING NAME: 9735001040-605