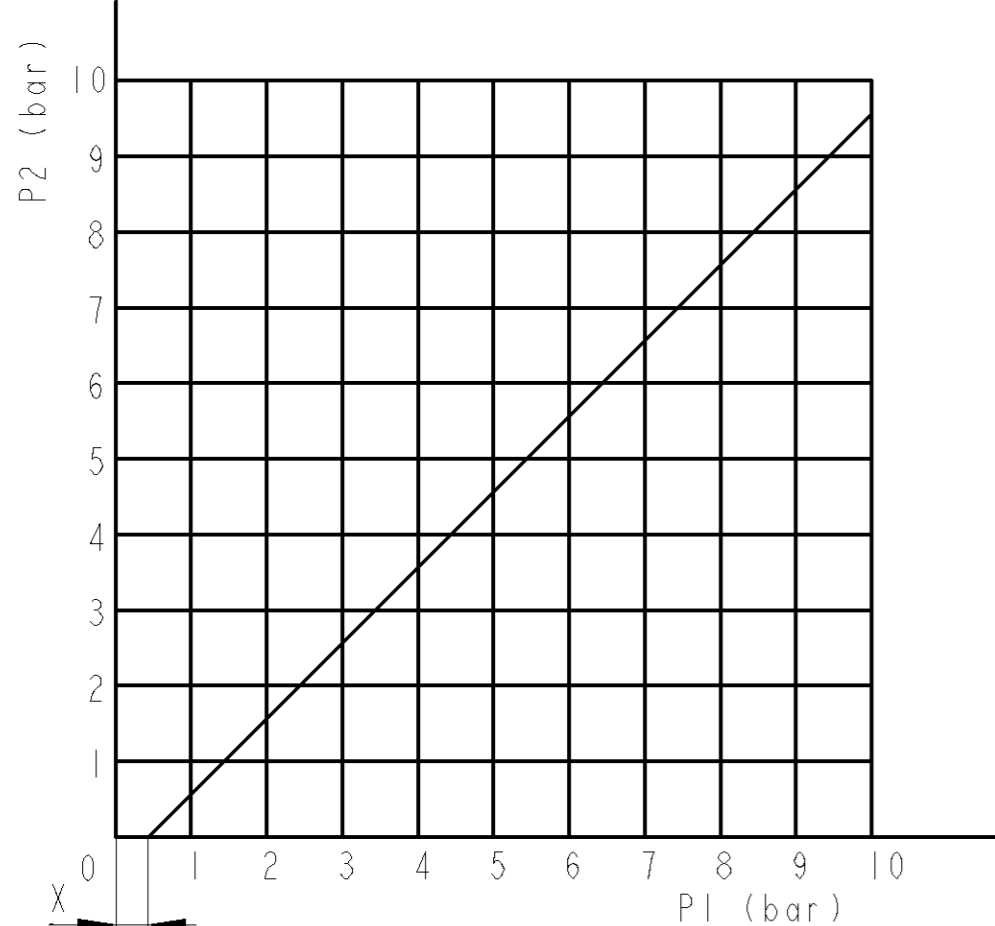
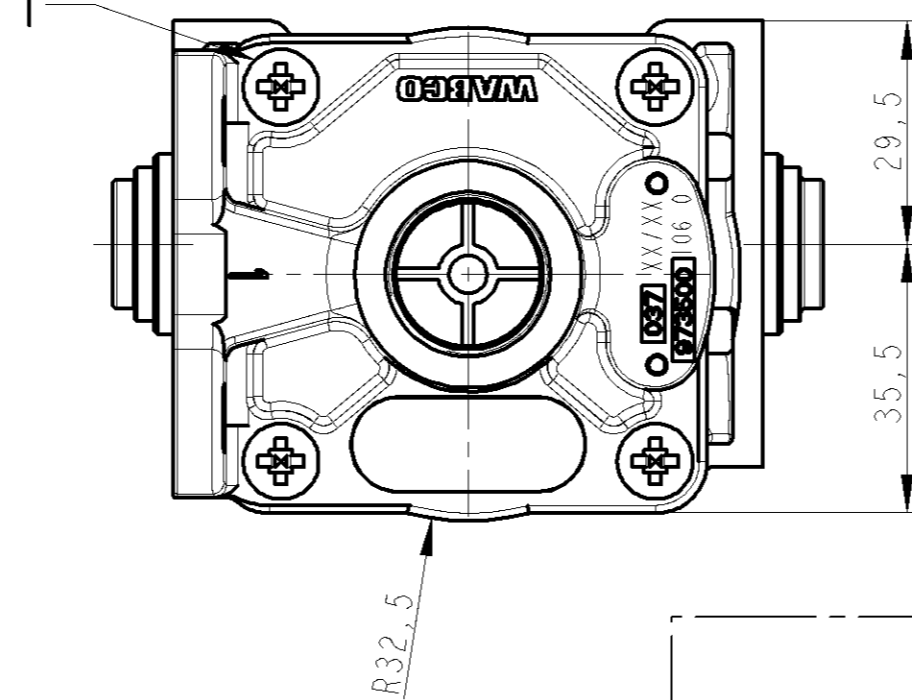
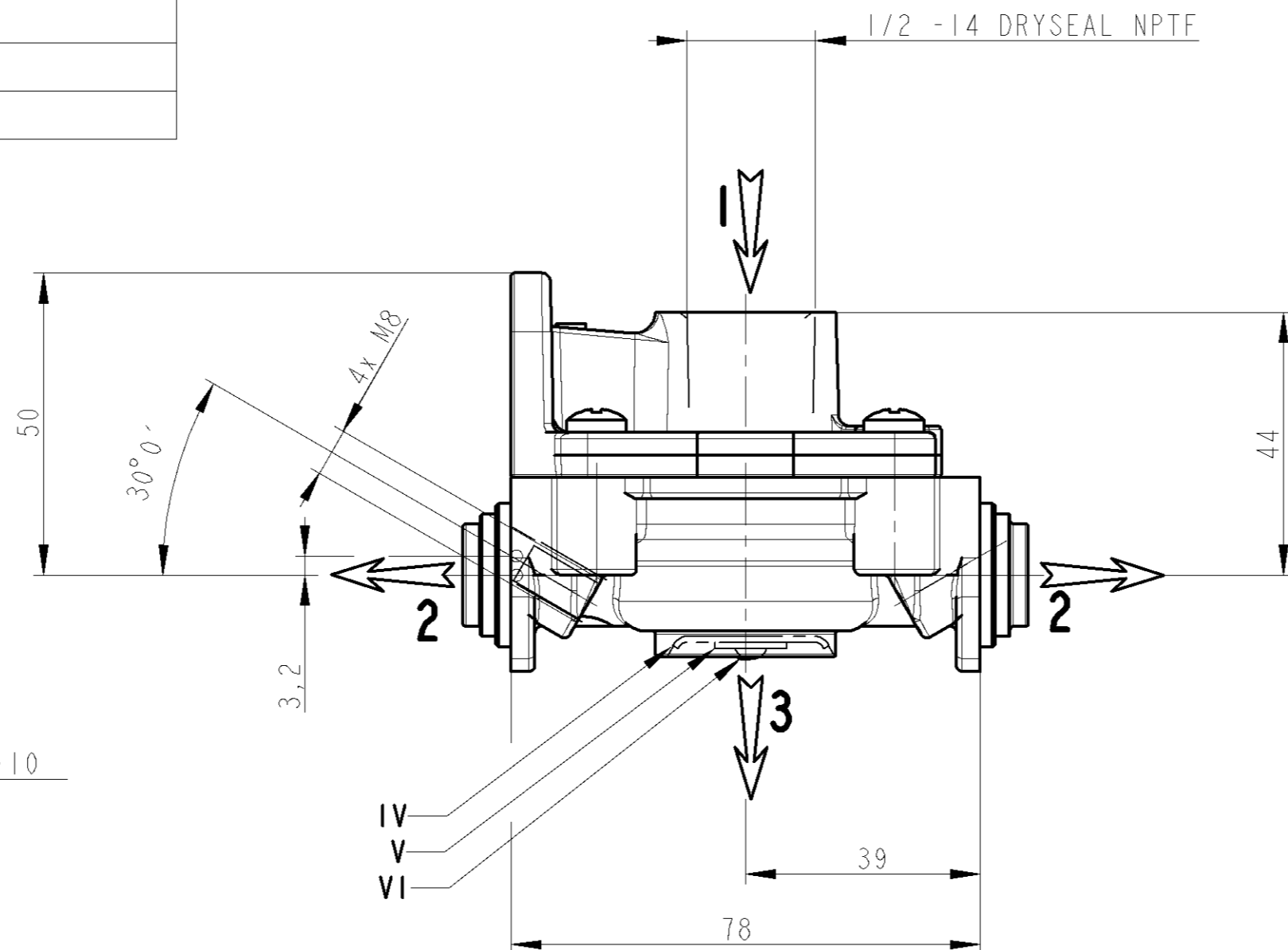
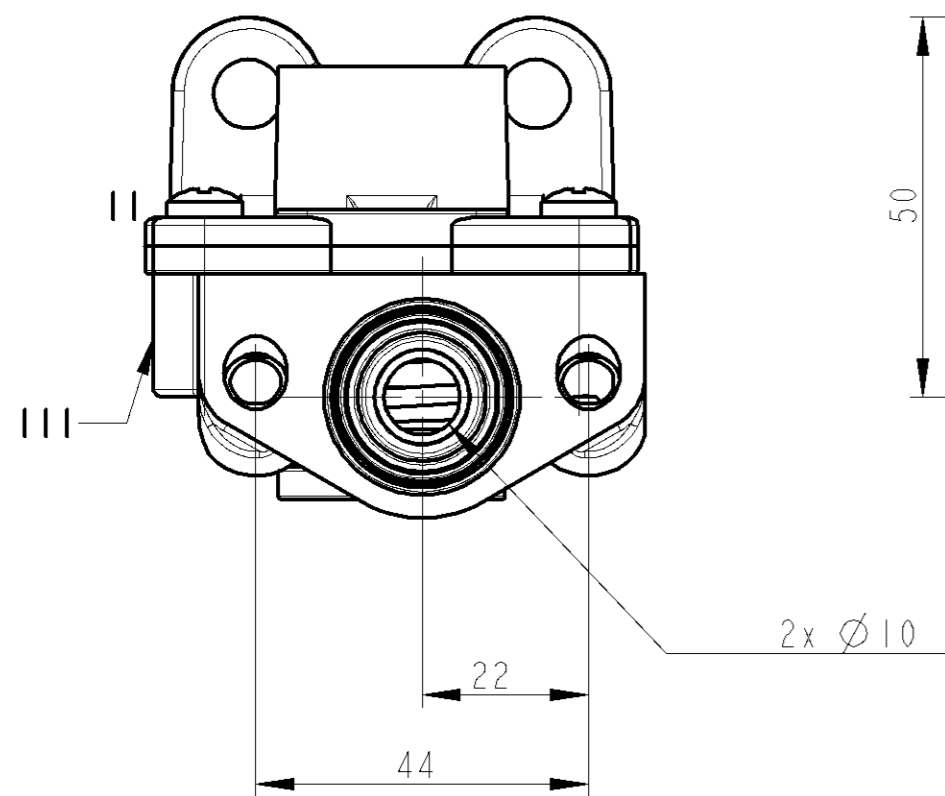


SURFACE PROTECTION
 OBERFLAECHENSCHUTZ
 PROTECTION DE SURFACE
 PROTEZIONE SUPERFICIE

MATERIAL
 WERKSTOFF
 MATIERE
 MATERIALE

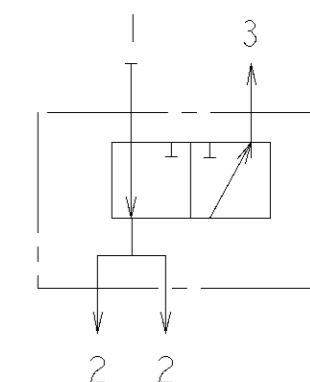
I	JED 256	JED 051 M1
II	JED 259	JED 029 M1
III	JED 259	JED 029 M3
IV		JED 235
V		JED 562
VI		JED624



X = 7 PSI / 0.5 BAR

FOR TOLERANCES ON X VALUE, SEE PRODUCT SPECIFICATION CODE 435
 POUR LES TOLERANCES SUR LA VALEUR X, VOIR LA PART SPECIFICATION CODE 435

TESTING SCHEME
 SYMBOL
 SCHEMA DE PRINCIPE
 SCHEMA DI PRINCIPIO



THERMAL RANGE
 THERM. ANWENDUNGSBEREICH
 TEMPERATURE D'UTILISATION
 TEMPERATURA DI UTILIZZAZIONE

MEDIUM: AIR
 MEDIUM: LUFT
 FLUIDE: AIR
 FLUIDO: ARIA

MAX FREE PASSAGE
 MAX FREIER DURCHGANG
 PASSAGE MAXI LIBRE
 PASSAGIO LIBERO MASSIMO

MARKING OF PORTS
 KENNZEICHNUNG DER ANSCHLUESSE
 MARQUAGE DES ORIFICES
 MARCATURA DEGLI ORIFIZI

SUPPLY
 VORRAT
 ALIMENTATION
 ALIMENTAZIONE

DELIVERY PRESSURE
 AUSGESTEUERTER DRUCK
 PRESSION DELIVREE
 PRESSIONE EROGATA

EXHAUST
 ENTLUEFTUNG
 ECHAPPEMENT
 SCARICO

TORQUE FOR CONNECTIONS
 ANZUGMOMENT FUR EINSCHRAUBSTUTZEN
 COUPLE DE SERRAGE DES RACCORDS
 COPPIA DI SERRAGGIO DEI RACCORDI

16 Nm MAX

10 BAR MAX

-40°C...+80°C

Ø 10mm = 78mm²

FURTHER TECHNICAL DATA SEE		-	L	-	COPYRIGHT		WABCO	
IDENTIFICATION NO.:		-	K	-	DATE	SIGNATURE		
CODE FOR DOCUMENT: 605		SHEET:	J	-	14/11/00	DRAWN ROSSARD		
GENERAL TOLERANCES		-	H	-	14/11/00	CHECKED CABIRO		
CLASS	RANGE OF NOMINAL DIMENSIONS (± mm)				-	G	-	
	1)	< 50	< 180	< 400	> 400	-	F	-
	I	0,5	1,0	1,5	2,0	-	E	-
II	1,0	2,0	3,0	4,0	-	-	-	
III	2,0	3,5	5,0	6,5	± 3°	-	-	
TAPPED HOLES ACC. ISO 4039 / JED-152		-	A	-	14/11/00	STANDARDIZATION 00 456	PRODUCT IDENTIFICATION NO.	
1) TOLERANCE CLASS APPLIED CROSSMARKED		DCN-NO.	REV.	DATE	MASS	SCALE	973 500 106 0	
		-	-	-	0,300 kg	1,000	CODE FOR DOCUMENT	
		-	-	-	A 2	210	605	
		-	-	-	CODE F. PROD. -GROUP		REPLACEMENT FOR	
		-	-	-	CODE FOR SHAPE		973 500 104 0-653	