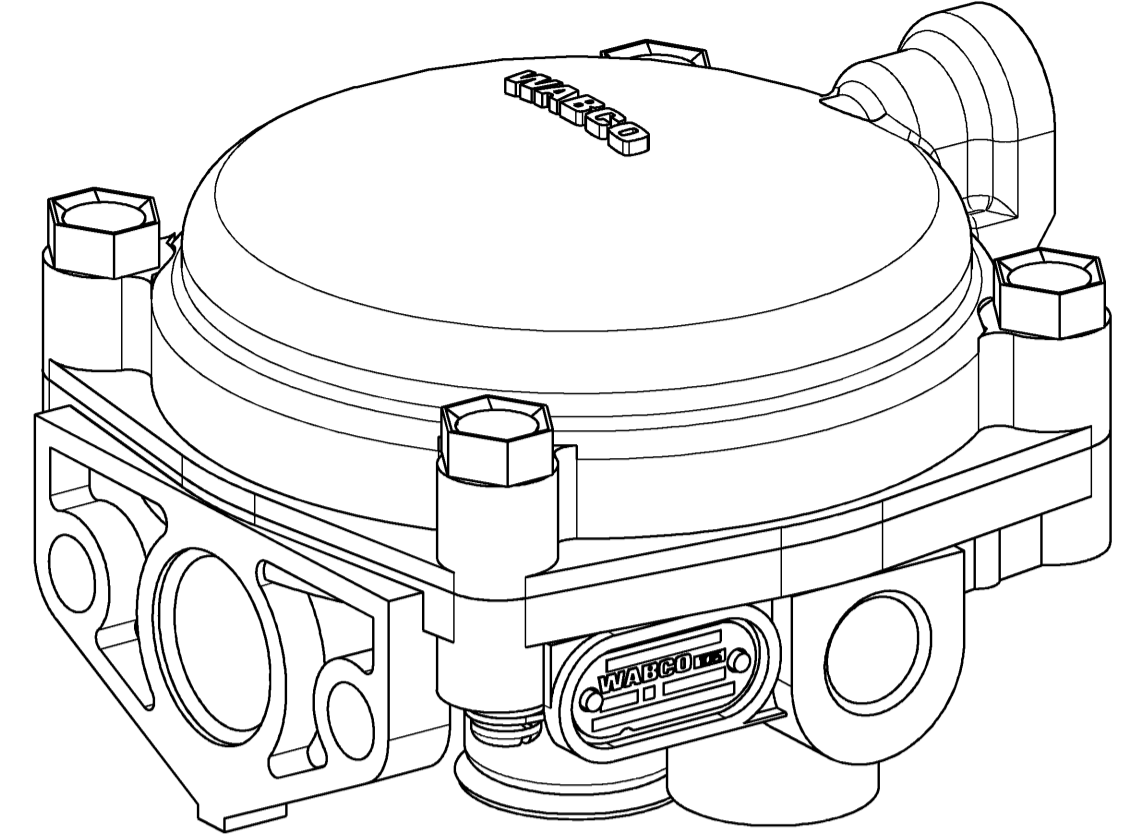
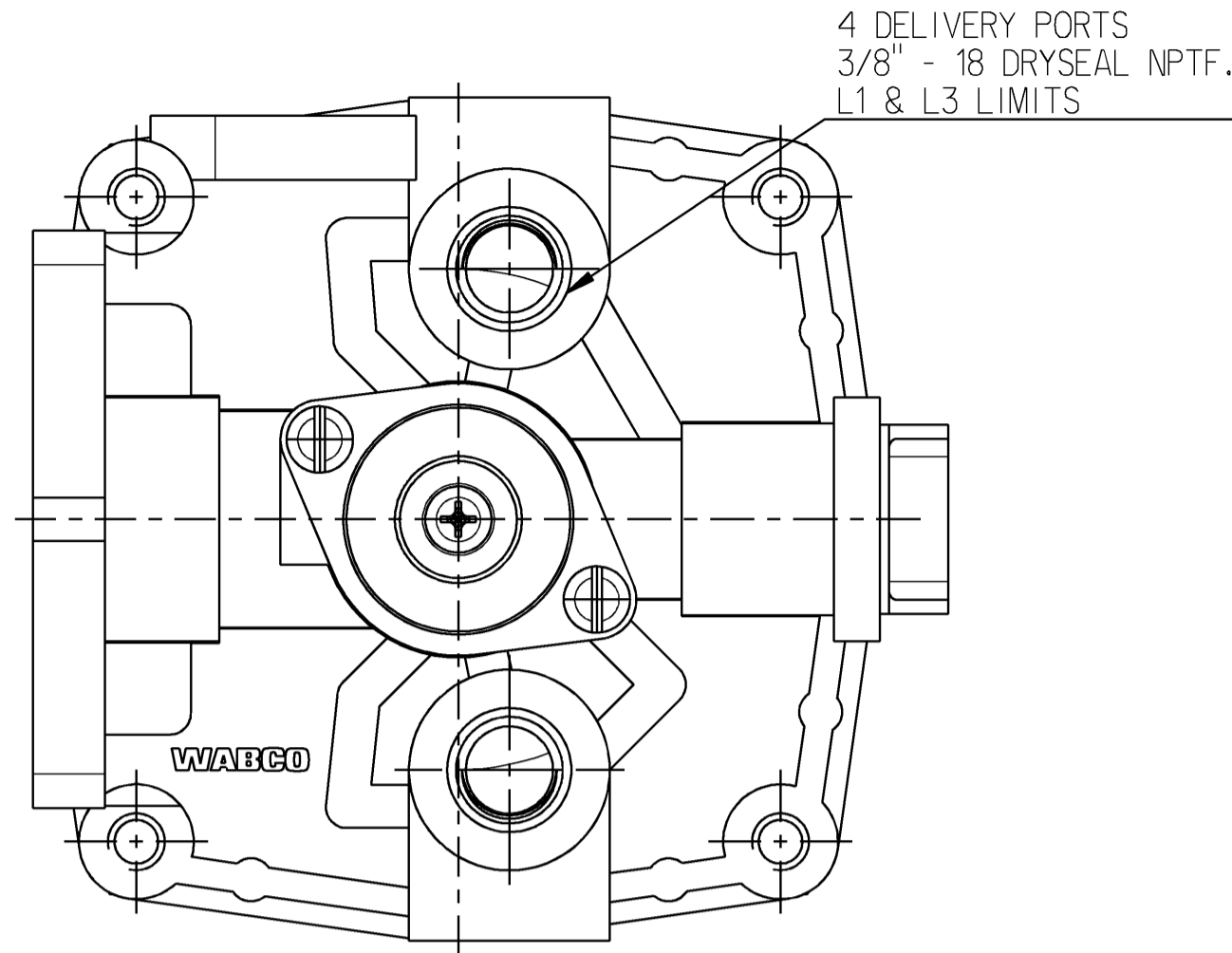
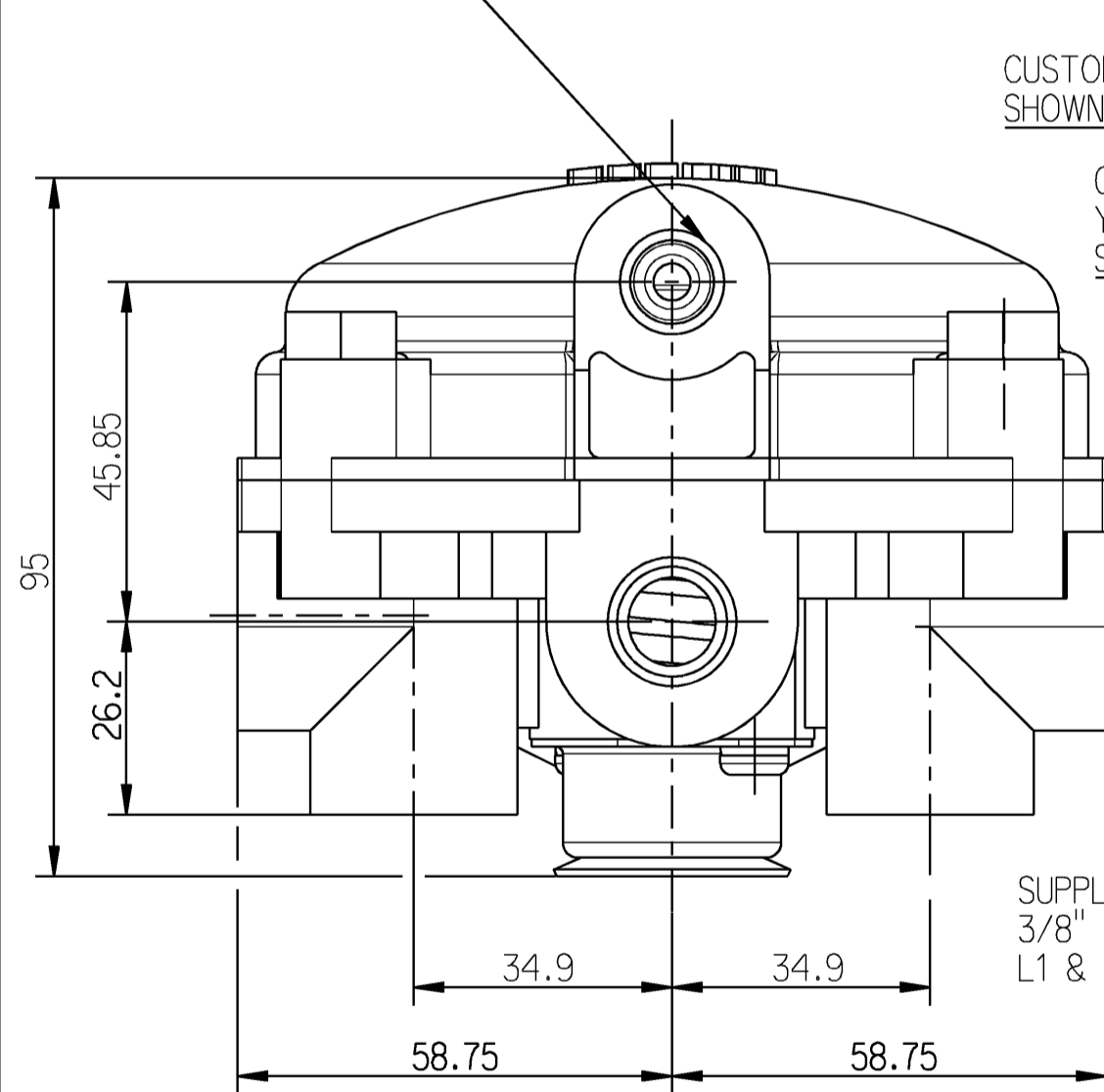


- 1. SUPPLY
- 2. DELIVERY
- 3. EXHAUST
- 4. CONTROL



SERVICE PORT  
1/4" - 18 DRYSEAL NPTF  
L1 & L3 LIMITS



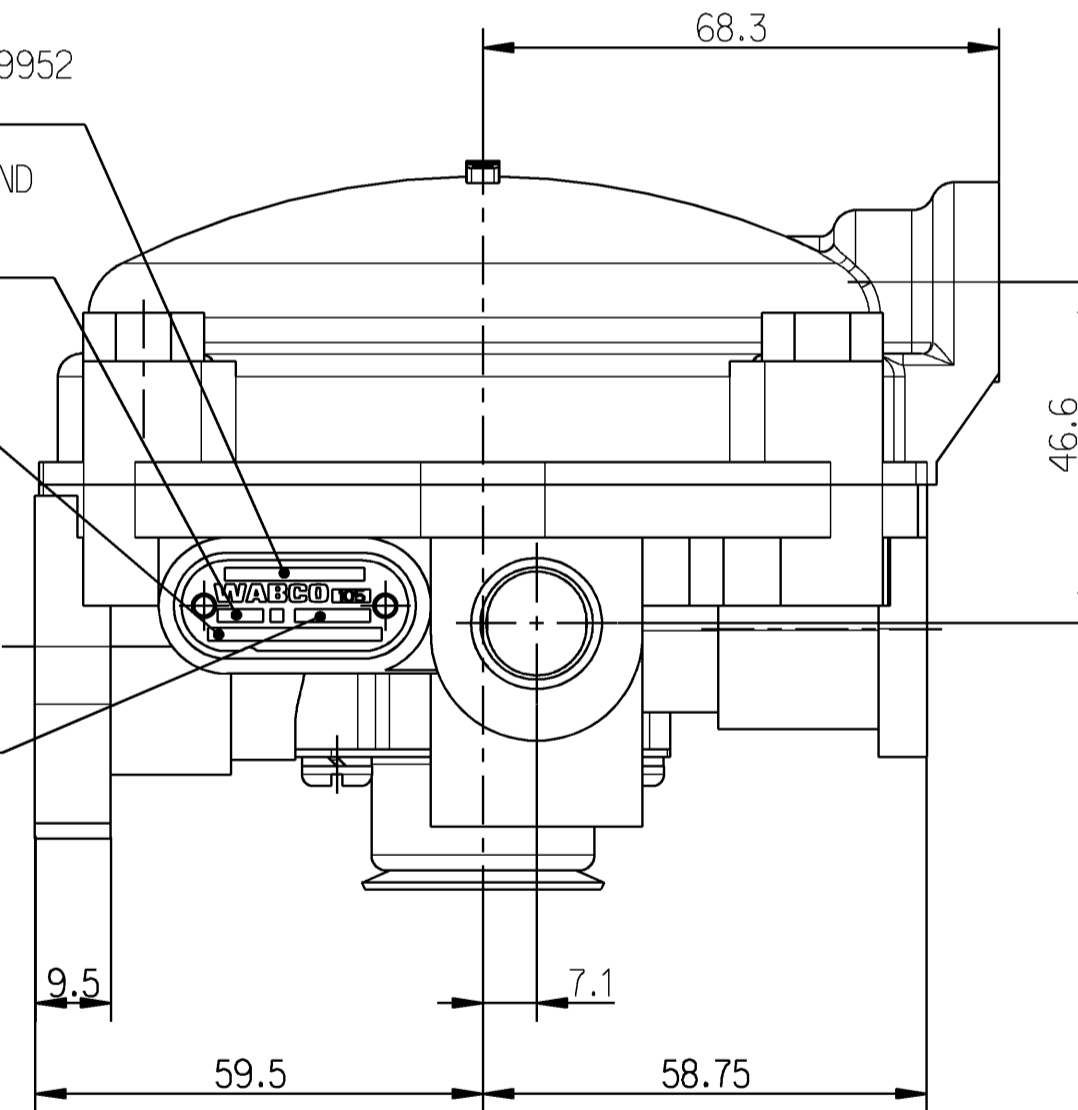
CUSTOMER PART No. R955279952  
SHOWN HERE

CUSTOMER WEEK No. AND  
YEAR OF MANUFACTURE  
SHOWN HERE

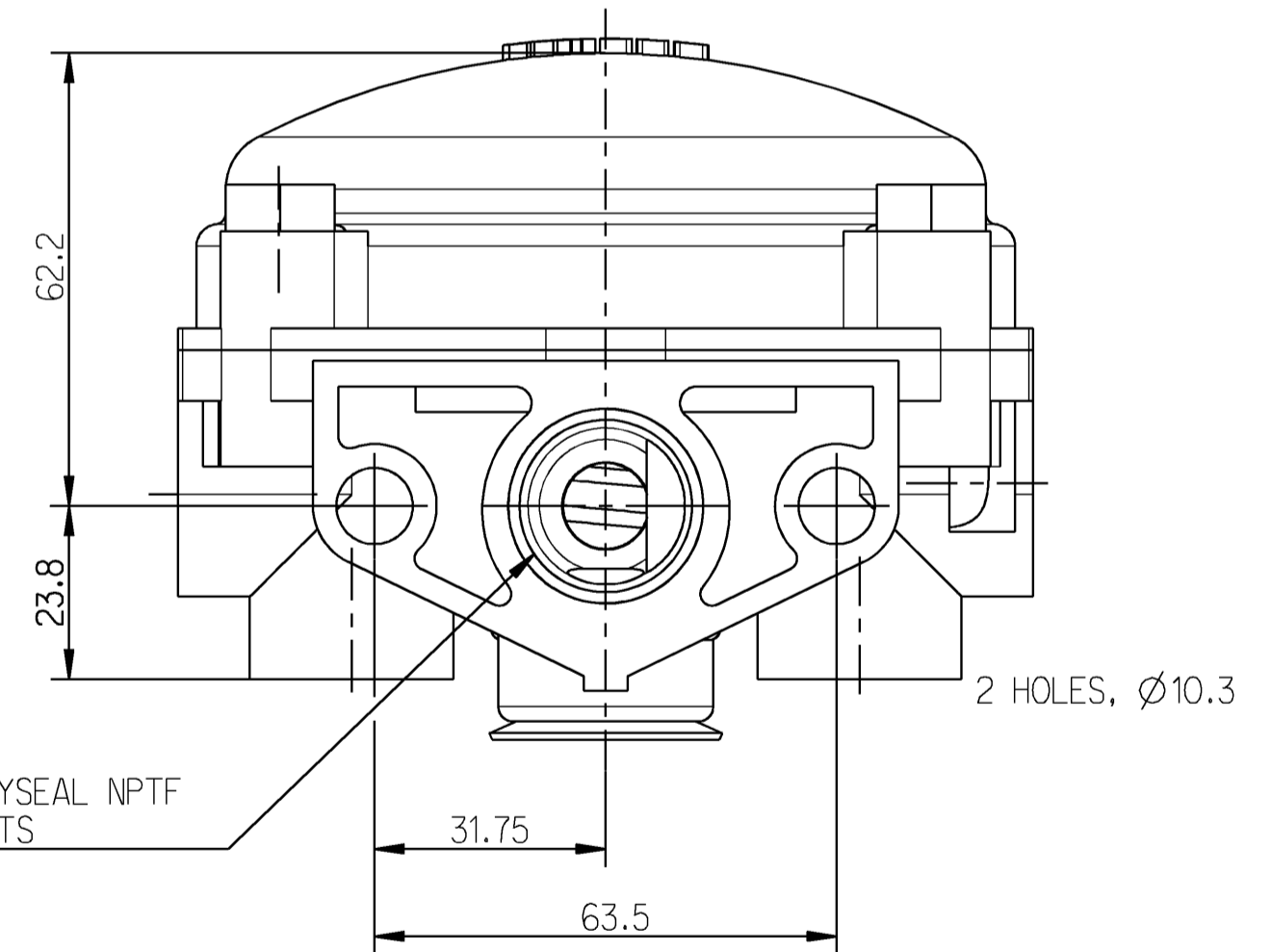
PART No.  
SHOWN HERE

SERIAL No.  
SHOWN HERE

SUPPLY PORT  
3/8" - 18 DRYSEAL NPTF  
L1 & L3 LIMITS



SUPPLY PORT  
3/4" - 14 DRYSEAL NPTF  
L1 & L3 LIMITS



PORT SIZE	MAX. TIGHTENING TORQUE WITH PTFE TAPE	MAX. TIGHTENING TORQUE WITHOUT PTFE TAPE
1/4"-18 DRYSEAL NPTF	7 lb.ft (10 Nm).	30 Nm.
3/8"-18 DRYSEAL NPTF	10.5 lb.ft (15 Nm).	50 Nm.
3/4"-14 DRYSEAL NPTF	49 lb.ft (70 Nm).	100 Nm.

TECHNICAL DATA:

WORKING MEDIUM : AIR  
 THERMAL RANGE OF APPLICATION : -40°C TO +80°C  
 MAX WORKING PRESSURE : 9.4 bar.  
 INSTALLATION POSITION : EXHAUST POSITION - VERTICAL  
 OPEN PORTS ARE FITTED WITH CLOSURE PLUGS  
 FOR STORAGE AND TRANSIT PURPOSES.

General Specification: JED-334-O		Copyright WABCO®		<b>WABCO</b>	
Further Technical Data: 973 890 008 0		Date	Signature		
Doc. Code: 035	Sheet: 1 To 7	2011-12-29	R RAJU	RELAY VALVE - RV (A)	
General Tolerances JED-261		Checked	K BALAKRISHNAN		
Range of Nominal Dimensions (± mm)		Expert		A GANESAMOORTHY	
Class 1)	≤ 50	> 50 ≤ 180	> 180 ≤ 400	> 400	∇
Fine	0.5	1.0	1.5	2.0	±3°
Medium	1.0	2.0	3.0	4.0	
Coarse	2.0	3.5	5.0	6.5	
Tapped Holes acc. JED-686		Mass	Scale	Material No.	
1) Tolerance Class Applied Crossmarked		1.23 kg	1:1	973 890 019 0	
		Size	CAD System	ECN-No.	Revision
		A 2	Pro/E	157390	1
		Date of first issue: 2007-06-21		Techn. Resp.	Replacement for
				5220_WIN	M306630
				Doc.Code	Language
				005	EN
				Sheet	1/1

Non è permesso copiare o terzi o riprodurre questo documento, né utilizzare il contenuto o renderlo comunque noto a terzi senza autorizzazione esplicita. Ogni infrazione costituisce un evidente abuso e comporterà il risarcimento dei danni subiti. E' fatta riserva di tutti i diritti derivanti da brevetti o modelli.  
 Toute communication ou reproduction de ce document, toute exploitation ou communication de son contenu sont interdites, sauf autorisation expresse. Tout manquement à cette règle constitue un abus évident et sera sanctionné par le versement de dommages et intérêts. Tous droits de propriété industrielle réservés, notamment en matière de brevets et de modèles.  
 Weitergabe, Vervielfältigung dieser Unterlagen, Vervielfältigen, Verwenden und Mitteilen ihres Inhalts ist nicht gestattet, soweit nicht ausdrücklich anders angegeben. Weitergabe, Vervielfältigen, Verwenden und Mitteilen ihres Inhalts ist nicht gestattet, soweit nicht ausdrücklich anders angegeben. Alle Rechte sind vorbehalten.  
 This document is the property of WABCO. It is not to be distributed, copied, reproduced, or otherwise used without the written permission of WABCO. All rights reserved.