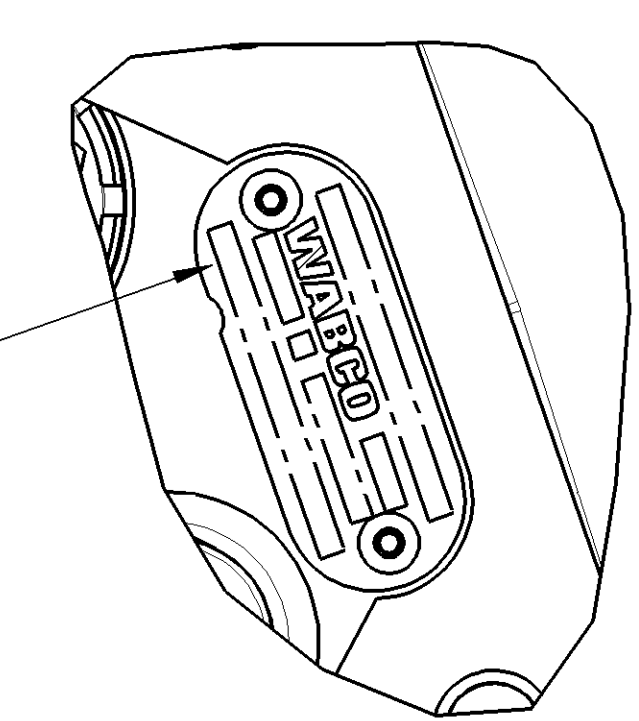
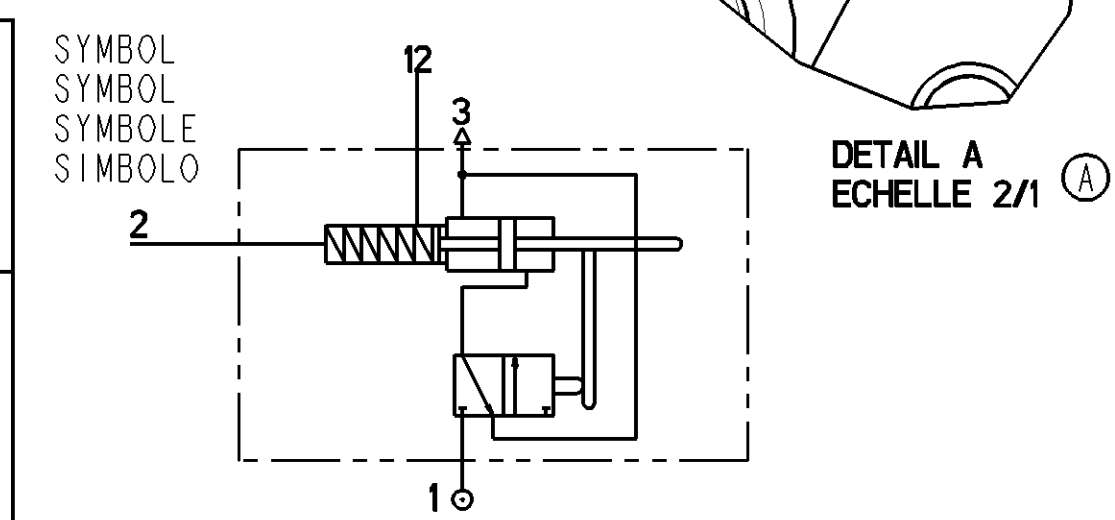


IF FINAL TEST ON PRODUCTION BENCH IS OK = ASSEMBLY OF THE NAME PLATE IN THE DEVICE
 NACH ERFOLGTER GERÄTEPRÜFUNG AUF PRÜFSTAND MIT ERGEBNIS :OK - MONTAGE DES TYPSCILDLES AN GERÄT
 SI LE TEST FINAL SUR LE BANC DE PRODUCTION EST OK -ON MONTE LA PLAQUE DE FIRME SUR L'APPAREIL



MARKING OF PORTS KENNZEICHNUNG DER ANSCHLUESSE MARQUAGE DES ORIFICES MARCATURA DEGLI ORIFIZI		P1	SUPPLY PRESSURE VORRATSDRUCK PRESSION PNEUMATIQUE D'ALIMENTATION PRESSIONE PNEUMATICA DI ALIMENTAZIONE	5 < P1 < 10 BAR FILTERED 160µ	USABLE HYDRAULIC VOLUME NUTZBARES HYDRAULIKVOLUMEN VOLUME HYDRAULIQUE UTILE CILINDRATA UTILE	28 ⁺¹ ₋₁ cm ³
1	AIR SUPPLY LUFTZUFUHR ALIMENTATION AIR ALIMENTAZIONE ARIA	P2	DELIVERED HYDRAULIC PRESSURE AUSGESTEUERTER HYDRAULIKDRUCK PRESSION HYDRAULIQUE DELIVREE PRESSIONE IDRAULICO LIBERATA	NORMAL PRESSURE : 30 BAR MAXIMUM PRESSURE : 60 BAR	WORKING POSITION EINBAULAGE POSITION DE FONCTIONNEMENT POSIZIONE DI FUNZIONAMENTO	
12	OIL INLET OELZUFLOSS ALIMENTATION HUILE ALIMENTAZIONE OLIO	HYDRAULIC FLUID HYDRAULIKFLUESSIGKEIT FLUIDE HYDRAULIQUE FLUIDO IDRAULICO	BRAKE FLUID BREMSFLUESSIGKEIT FLUIDE ALCOOLIQUE LIQUIDO PER FRENI	DOT3 (EXCEPT SILICON) DOT4 (BASED BRAKE FLUID) DOT5 FILTERED 200µ		
2	DELIVERY AUSGESTEUERTE UTILISATION UTILIZZAZIONE	THERMAL RANGE THERM. ANWENDUNGSBEREICH TEMPERATURE D'UTILISATION TEMPERATURA DI UTILIZZAZIONE		-30°C +80°C		
3	AIR EXHAUST ENTLUEFTUNG ECHAPPEMENT SCARICO	TORQUE FOR CONNECTIONS ANZUGSMOMENT FUER SCHAUBSTUTZEN COUPLE DE SERRAGE DES RACCORDS COPIA DI SERRAGGIO DEI RACCORDI		* 21 N.m MAX ** 15 N.m MAX		



General Specification: JED-334-0		Copyright WABCO		WABCO	
Further Technical Data:		Date		Signature	
Doc. Code:	Sheet: To	1999-01-06		THELOHAN	
General Tolerances JED-261		1999-01-06		PEUX	
Range of Nominal Dimensions (± mm)		LHER		SERVO EMETTEUR	
Class 1)	≤ 50	> 50	> 180	> 180	> 400
Fine	± 0.1	± 0.15	± 0.2	± 0.3	± 0.4
Medium	± 0.2	± 0.3	± 0.4	± 0.5	± 0.6
Coarse	± 0.3	± 0.4	± 0.5	± 0.6	± 0.7
Tapped Holes acc. JED-152 / ISO 4039		1.8		1,000	
State of Revision		A 1		570	
1) Tolerance Class Applied Crossmarked		Function Code		CAD System	
		Pro/E		0 0 X	
		Material No.		974 010 001 0	
		WABCO Id. No.		9740100010	
		Doc. Code		605	
		Language		fr	
		Sheet		1/1	
		Replacement for		894 613 374 0	
		Prod. Type		0 0 X	
		Scale		100mm	