

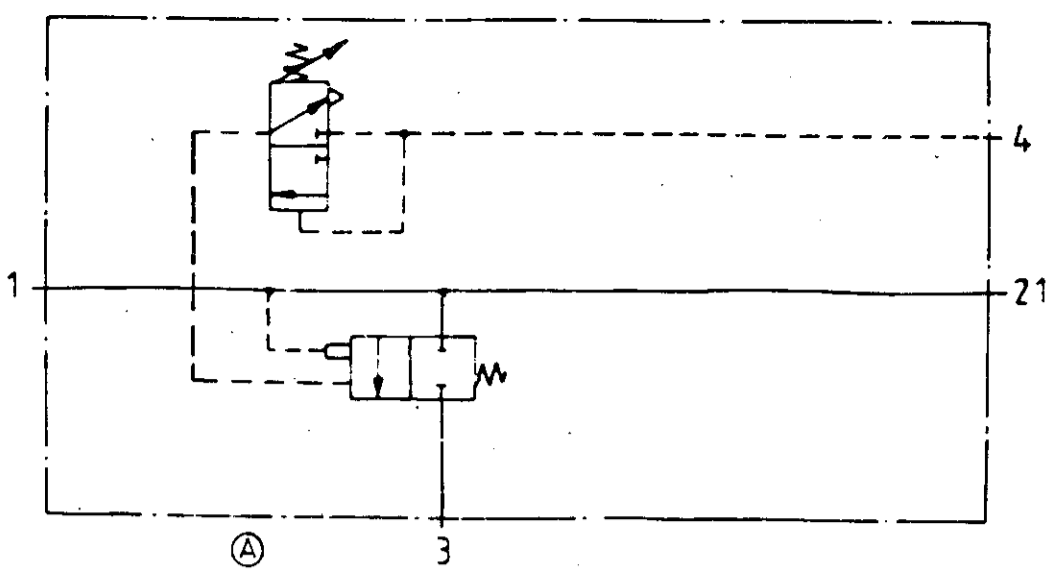
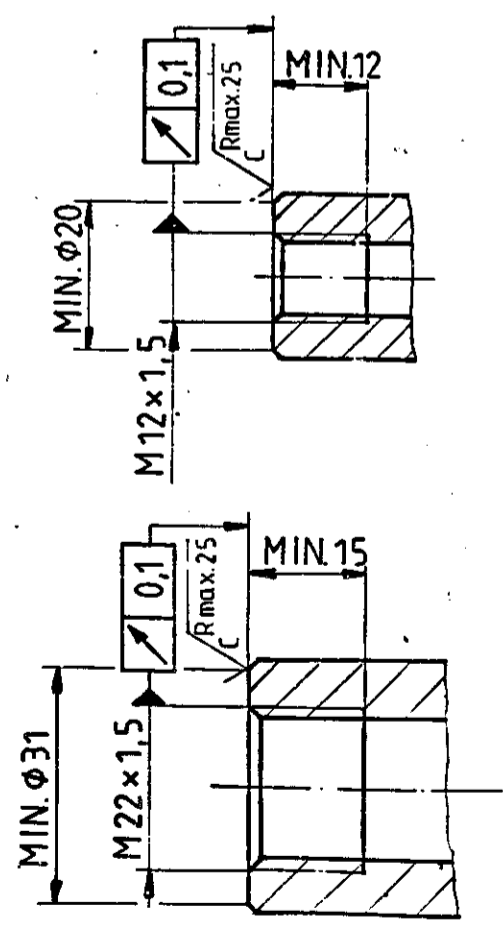
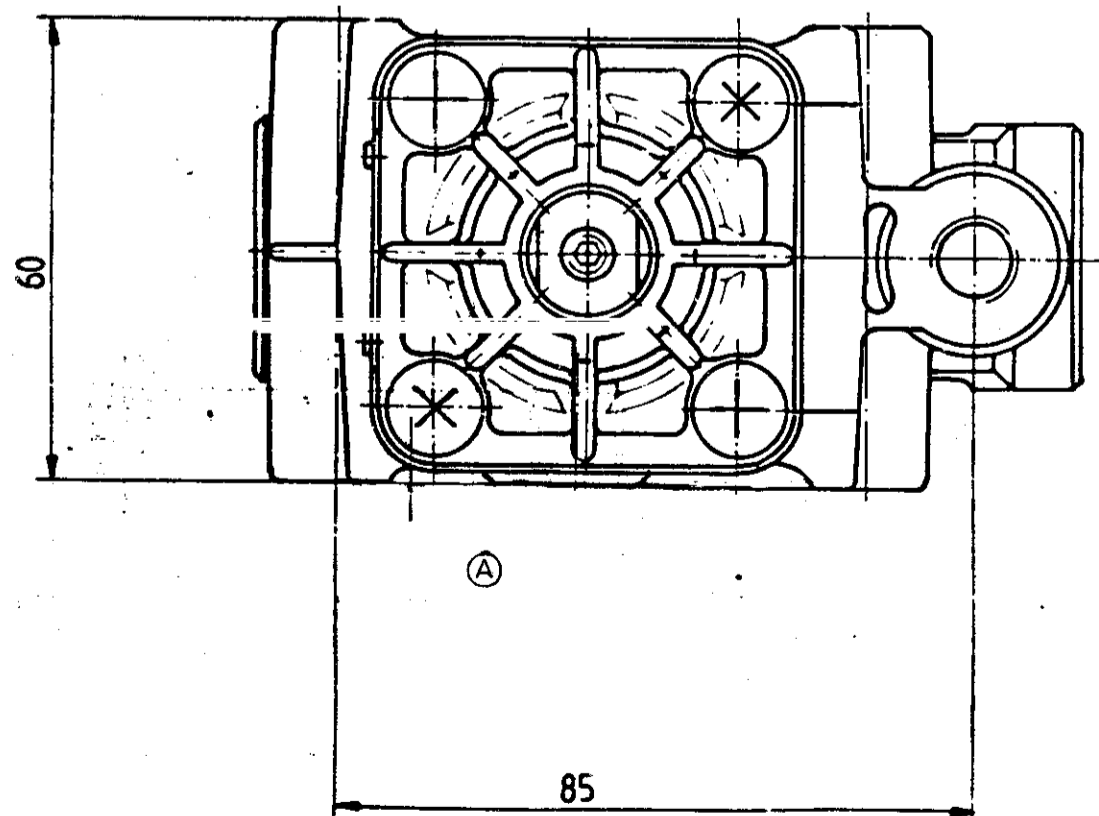
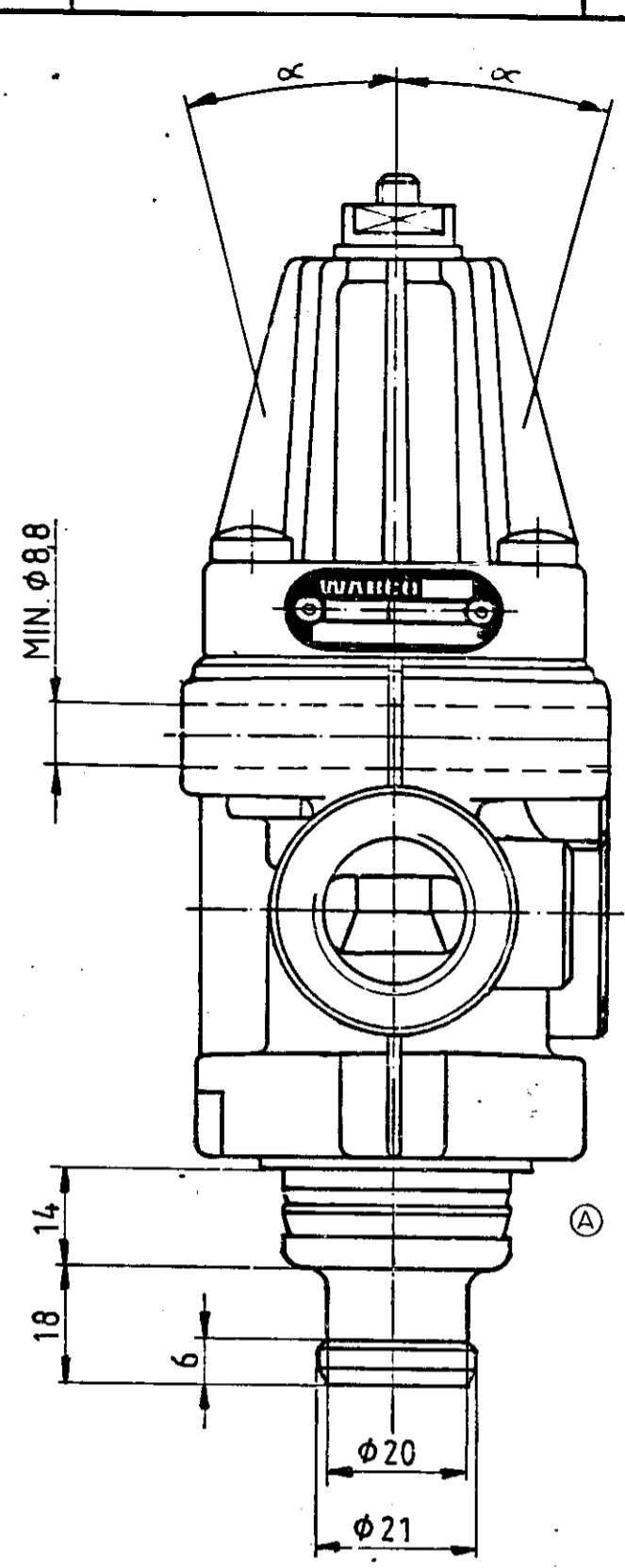
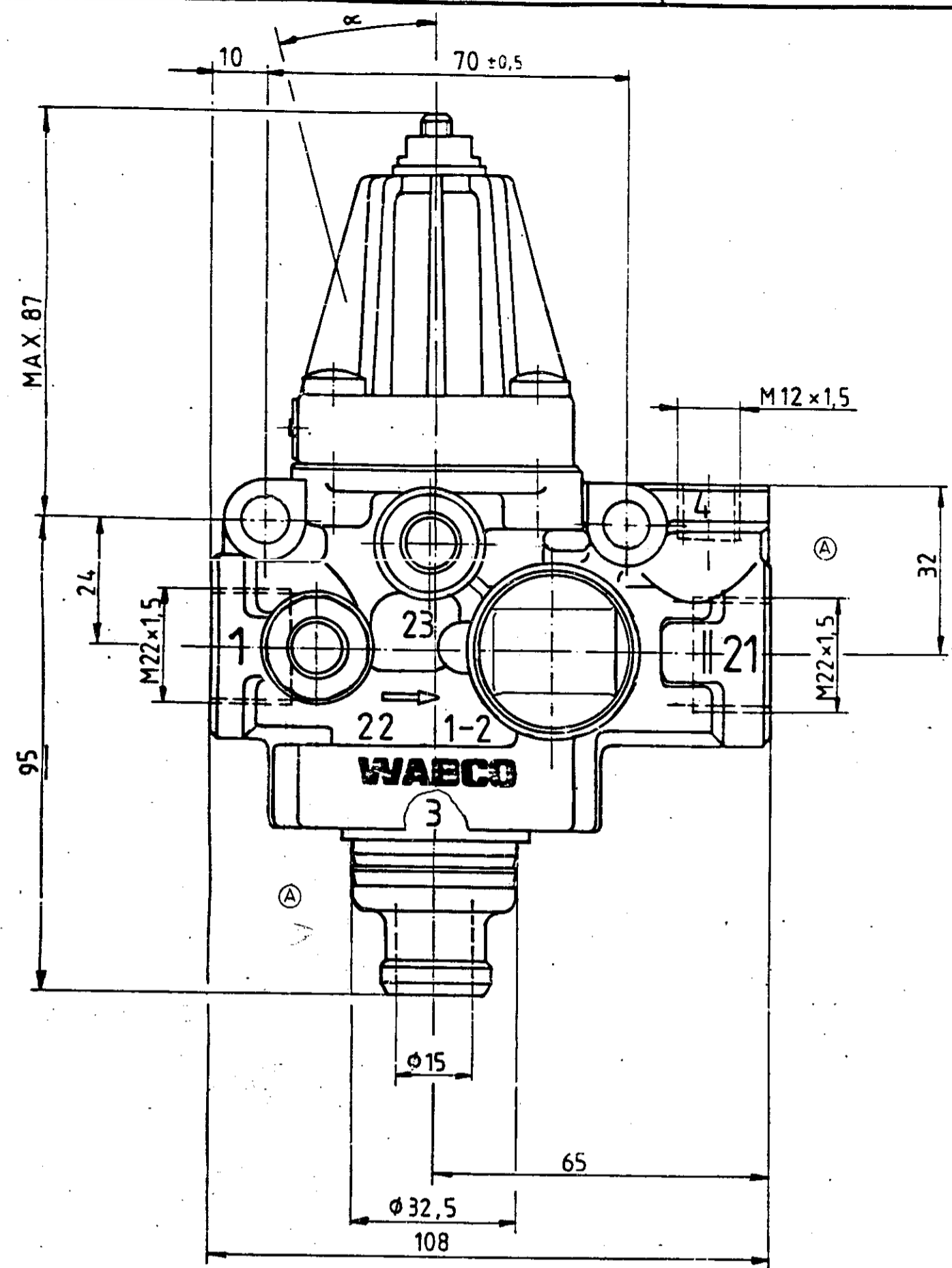
Non è permesso assegnare a terzi o riprodurre questo documento, né utilizzarne il contenuto o renderlo pubblico in qualsiasi modo, senza autorizzazione esplicita. Ogni infrazione costituirà un evidente illecito e comporterà il risarcimento dei danni subiti. E' fatta riserva di tutti i diritti derivanti dai brevetti o modelli.

Copying of this document, and giving it to others and the use or communication of the contents thereof, are forbidden without express authority. Contravention of this restriction will constitute an evident abuse and result in a liability to the payment of damages. All rights are reserved in the event of any grant of a patent or the registration of an utility model or design.

Wabco sowie Verfertigung dieser Unterlage. Verwertung und Weitergabe ohne schriftliche Genehmigung der Wabco AG sind ausdrücklich untersagt. Zuwiderhandlung wird als Verstoß gegen die Geschäftsbedingungen angesehen. Alle Rechte für den Fall der Patentierung, Gebrauchsmuster, Erfindung oder Gebrauchsmuster-Eintragung vorbehalten.

Wabco et sa fabrication. Toute exploitation ou communication de son contenu, sans autorisation expresse, est formellement interdite. Toute violation sera considérée comme un acte de contrefaçon et entraînera la responsabilité des dommages. Tous droits de propriété industrielle réservés.

Wabco and its manufacture. Any reproduction, use or communication of the contents of this document, without express authority, is strictly prohibited. Any infringement will be considered as an act of patent infringement and will result in a liability to the payment of damages. All rights reserved in the event of any grant of a patent or the registration of an utility model or design.



1 = INLET
EINGANG
ALIMENTAZIONE

21 = OUTLET
AUSGANG
SORTIE
USCITA

4 = CONTROL PORT
STEUERANSCHLUSS
ORIFICE DE COMMANDE
ORIFIZIO DI COMANDO

3 = EXHAUST FOR COMPRESSOR IDLING
ENTLUEFTUNG BEI LEERLAUF
ECHAPPEMENT POUR MARCHE A VIDE DU COMPRESSEUR
SCARICO PER MARCIA A FOLLE DEL COMPRESSORE

INSTALLATION POSITION:
EINBAULAGE: $\alpha = 0^\circ \dots 15^\circ$
POSITION D'INSTALLATION:
POSIZIONE DI MONTAGGIO:

FURTHER TECHNICAL DATA SEE		L	COPYRIGHT		WABCO
IDENTIFICATION No 975 303 075 0		K	DATE	SIGNATURE	
CODE FOR DOCUMENT 605 SHEET 2/2 TO		J	93-04-15	<i>Brink</i>	
GENERAL TOLERANCES		H	93-04-15	<i>M. J.</i>	
CLASS	RANGE OF NOMINAL DIMENSIONS (± mm)				★
	≤ 50	> 50 ≤ 180	> 180 ≤ 400	> 400	
	0.5	1	1.5	2	
II	1	2	3	4	± 3°
III	2	3.5	5	6.5	
TAPPED HOLES ACC. ISO 4039 / JED - 152		D	MASS	SCALE	PRODUCT IDENTIFICATION NO.
TOLERANCE CLASS APPLIED CROSSMARKED		C	0,65 kg	1:1	975 303 075 0
		B	SIZE	T.R.I.	CODE FOR DOCUMENT SHEET
		A	A 2	140	605 1/2
		REV.	DATE	CODE F PROD. GROUP	REPLACEMENT FOR
		53570	93-11-15		