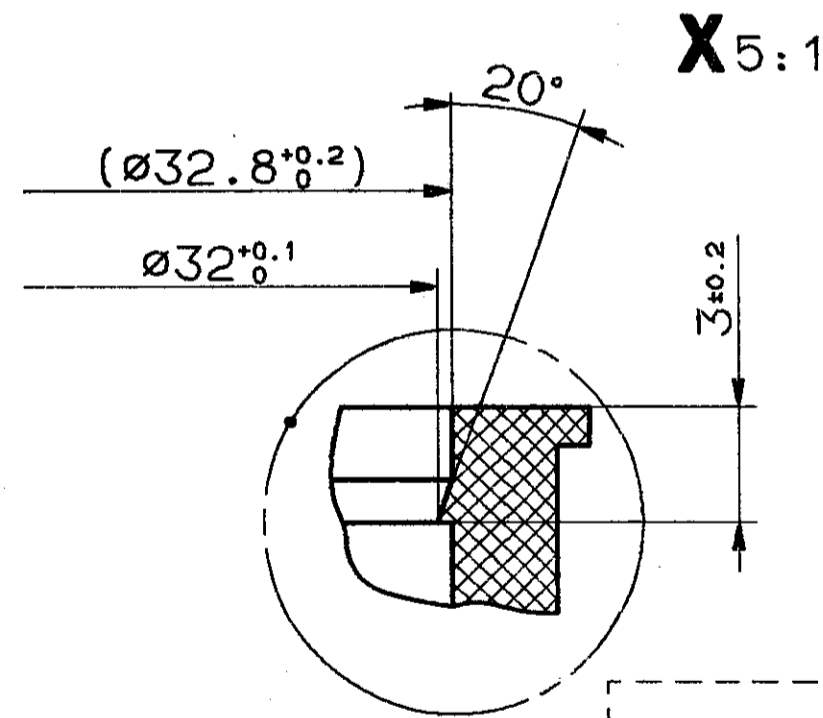
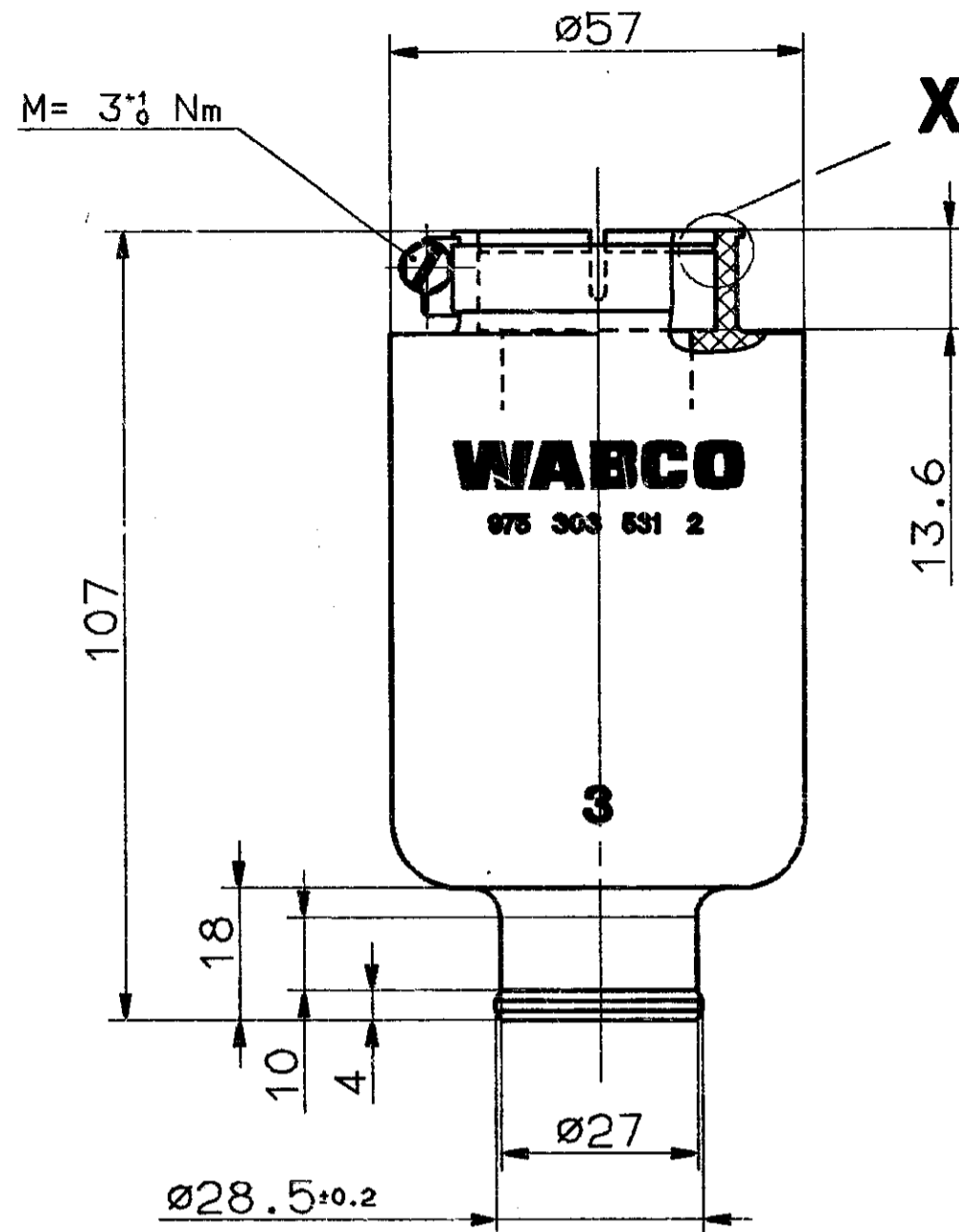
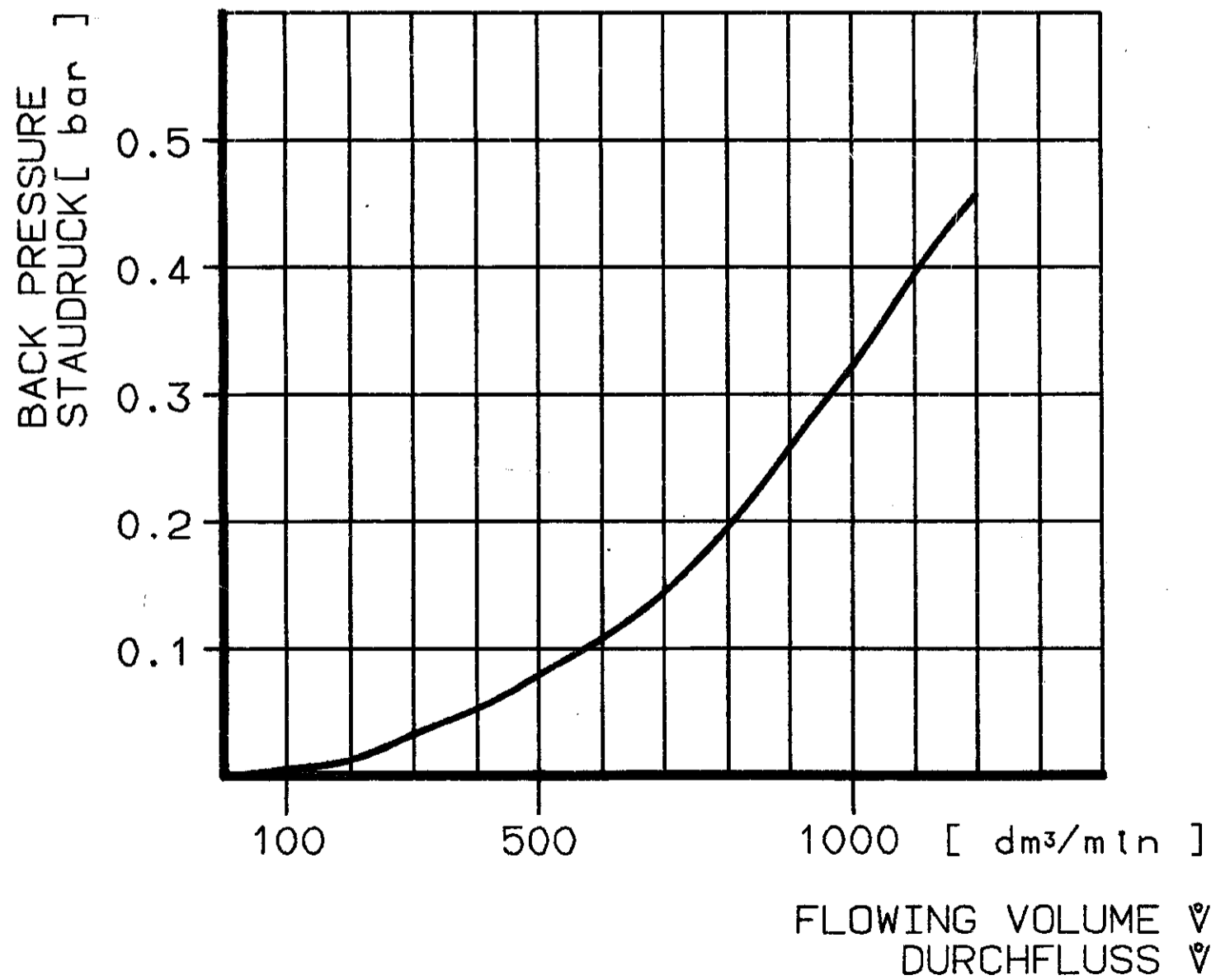
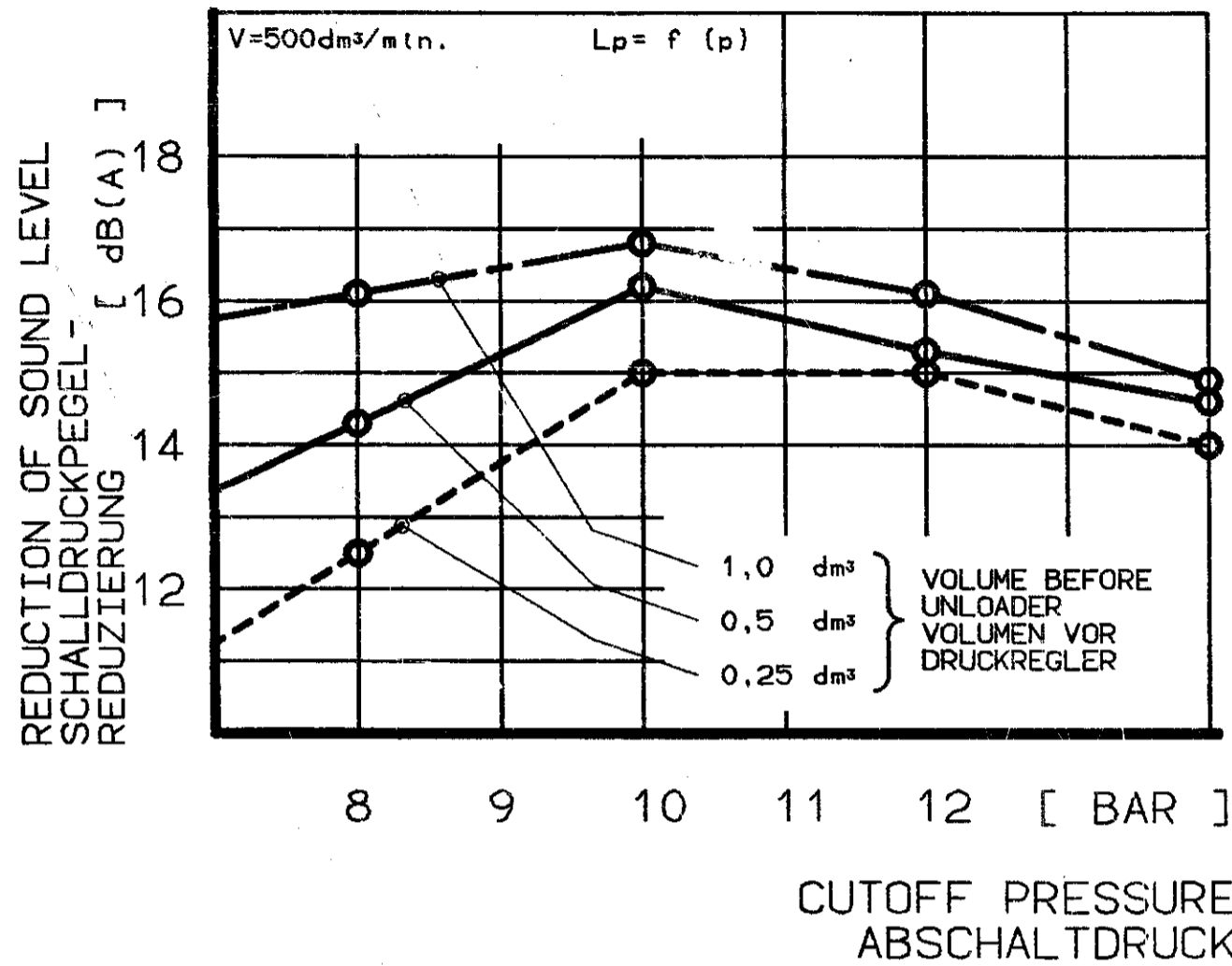


REDUCTION OF CUTOFF NOISE IN COMBINATION WITH UNLOADER 975 303 ... 0, MEASUREMENT ACCORDING TO DIN 45635 (FAST) ABSCHALTGERAEUSCHREDUZIERUNG IN KOMBINATION MIT DRUCKREGLER 975 303 ... 0, MESSUNG NACH DIN 45635 (FAST)



WORKING PRESSURE: BETRIEBSDRUCK: MAX. 12 bar  
 PRESSION DE SERVICE: PRESSIONE DELL'ESERCIZIO:

MEDIUM: AIR  
 MEDIUM: LUFT  
 FLUIDE: AIR  
 FLUIDO: ARIA

THERMAL RANGE OF APPLICATION: THERMISCHER ANWENDUNGSBEREICH:  
 GAMME D'APPLICATION THERMIQUE: CAMPO DI APPLICAZIONE TERMICA:

AMBIENT TEMPERATURE: UMGEBUNGSTEMPERATUR: -40°C ... +100°C  
 TEMPERATURE AMBIANTE: TEMPERATURA AMBIENTE:

MEDIUM TEMPERATURE: MEDIUMTEMPERATUR: -40°C ... +150°C  
 TEMPERATURE DU FLUIDE: TEMPERATURA DEL FLUIDO:

FURTHER TECHNICAL DATA SEE			
IDENTIFICATION NO.: 884 007 033 0			
CODE FOR DOCUMENT: 605		SHEET: 1 TO 1	
GENERAL TOLERANCES			
RANGE OF NOMINAL DIMENSIONS (± mm)			
CLASS	> 50	> 180	> 400
I	0,5	1,0	1,5
II	1,0	2,0	3,0
III	2,0	3,5	5,0
TAPPED HOLES ACC. ISO 4039 / JED-152			
1) TOLERANCE CLASS APPLIED CROSSMARKED			

DATE	SIGNATURE
89-12-07	LIPPELLI
89-12-07	KIEL
89-12-07	PANTZER
MASS	SCALE
0,15 kg	1:1
SIZE	T.R.I.
A 2	140

COPYRIGHT		<b>WABCO</b> CLAYTON DEWANDRE	
DATE		SIGNATURE	
DRAWN		SILENCER	
CHECKED		GERAEUSCHDAEMPFER	
STANDARDIZATION		SILENCIEUX SUR ECHAPPEMENT	
PRODUCT IDENTIFICATION NO.		SILENZIATORE	
CODE FOR DOCUMENT	SHEET	CODE F. PROD. GROUP	CODE FOR SHAPE
605	1/1	555	REPLACEMENT FOR
884 007 033 0		884 007 033 0	