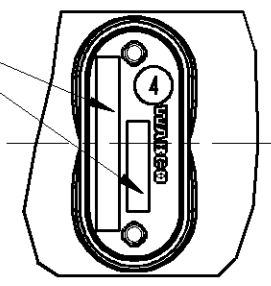


PART No. M250340 GA

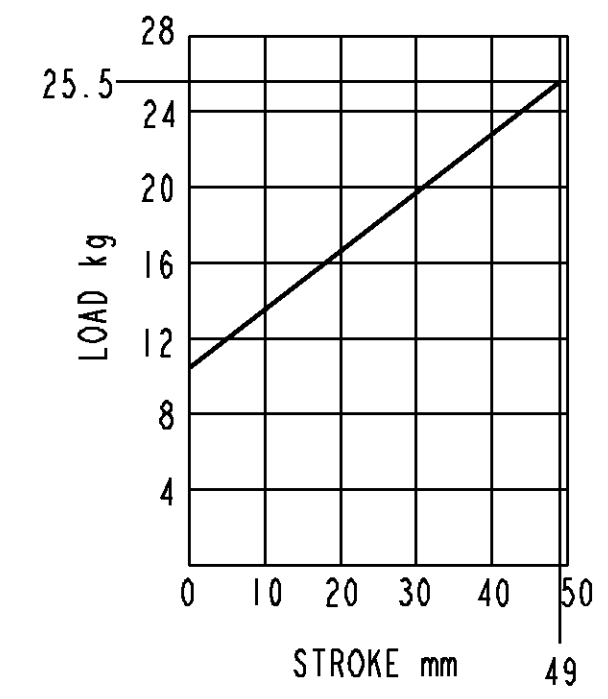
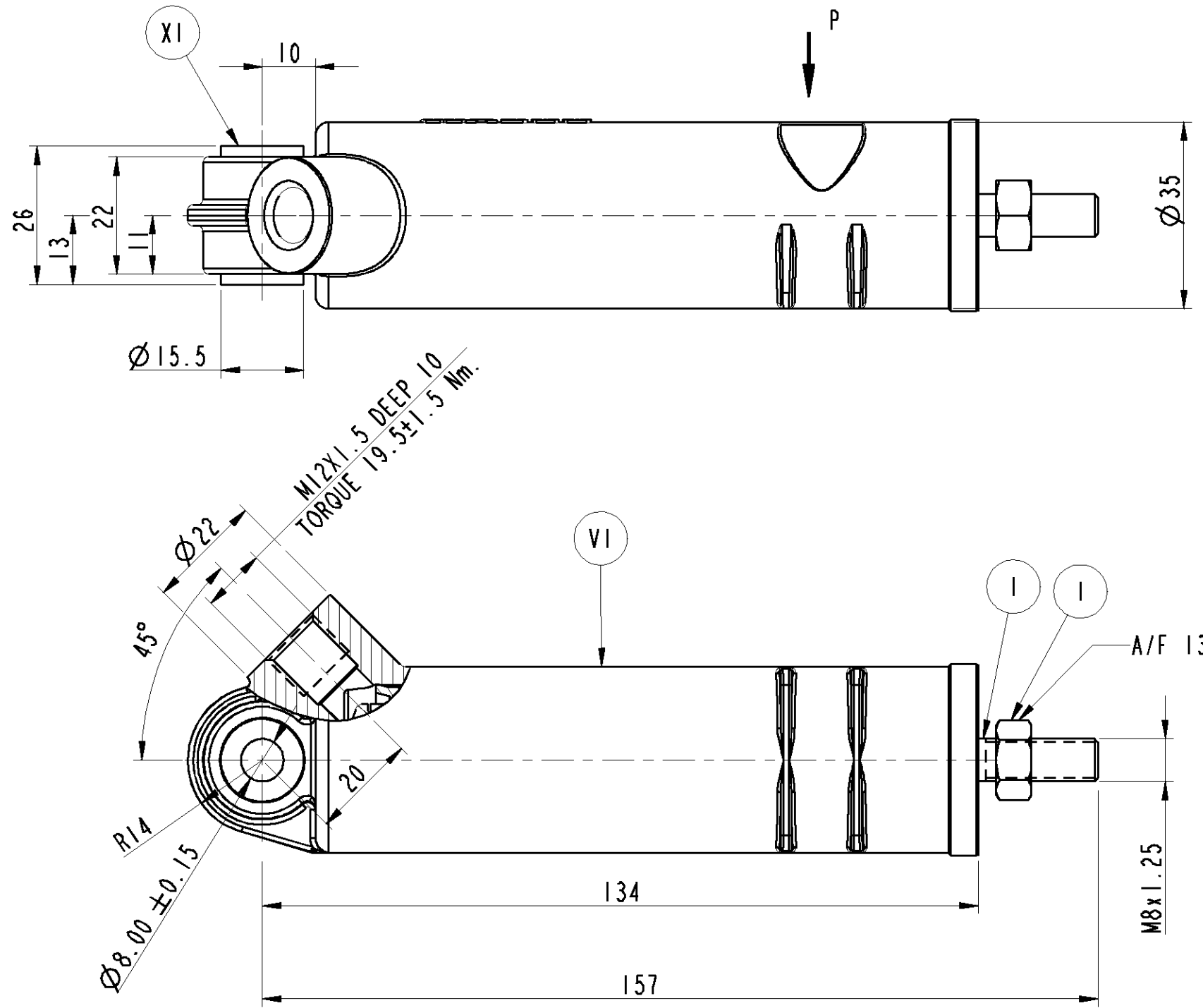
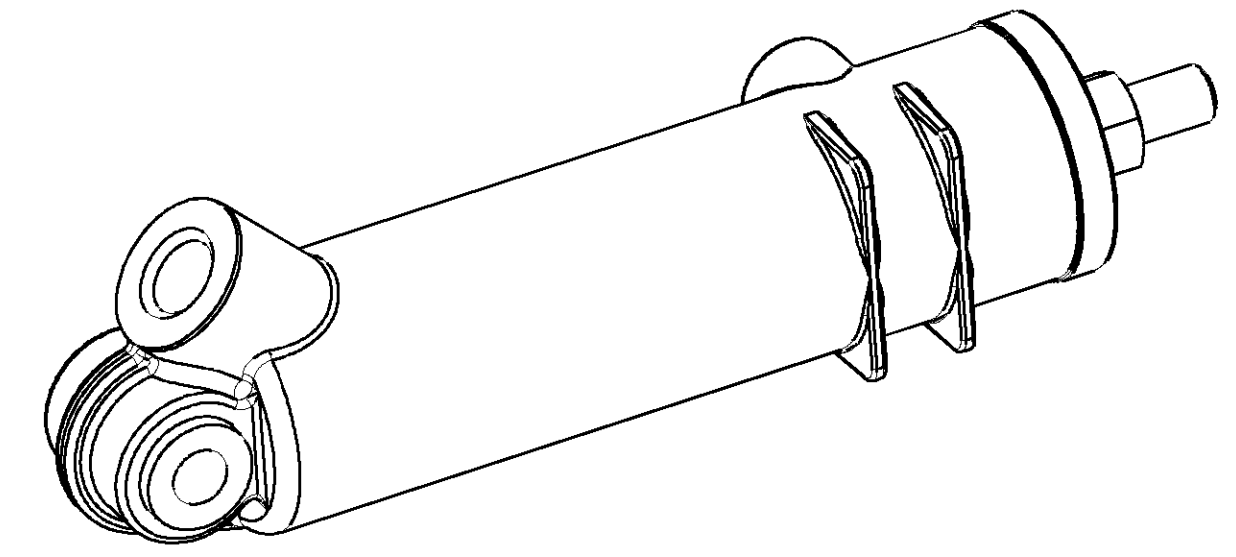
DO NOT SCALE IF IN DOUBT ASK

ENGINEERING CHANGES			
ECN No.	DATE	REV	SIGN
5446	26.10.87	New	
7808	06.05.99	1	
M12x1.5 deep 10 was M12 x1.5 deep 9. Drawing redrawn.			
10867	23.08.07	2	CSN
GDC body changed to PDC body. Ø15.5 was Ø15. DIM 13 deleted. Weight updated. PSSC Rev.No. and date updated. Note, Sl.No. 9, 10, 11 and 12 added. Surface protection and Special characteristics symbol added. Dimension indication changed to nominal and bilateral tolerance from upper and lower limits. Drawing redrawn.			
11374	09.02.09	3	RBS
In Name plate, Company name changed from Sundaram Clayton Ltd to WABCO- TVS (INDIA) Ltd. Drawing redrawn.			
12083	16.03.11	4	RBS
Drawing template WABCO was WABCO-TVS (INDIA) Ltd. Drawing pictorially modified inline with parts. Drawing redrawn.			

ASSY PART No. AND BATCH No. ARE SHOWN HERE



VIEW P



PISTON RETURN SPRING CHARACTERISTICS

1	PRODUCT SPECIFICATION No.	PSSC 11C REV No. 3 DATED 23.08.07
2	CYLINDER BORE DIA	28 mm
3	STROKE	50.5±1.5 mm
4	CYLINDER OPENING PRESSURE (TO BE TESTED AS SEPARATE AIR CYLINDER)	≤ 3 bar
5	FULL STROKE PRESSURE	≈ 5 bar
6	NORMAL WORKING PRESSURE	8 bar
7	MAXIMUM WORKING PRESSURE	10 bar
8	EQUIVALENT FLOW DIAMETER INLET TO DELIVERY	1.5 mm
9	ENVIRONMENTAL TEST	AS PER PSSC 11 C
10	DUST TEST	AS PER PSSC 11 C
11	SALT SPRAY TEST	96 HOURS AS PER ISO 9227
12	VIBRATION TEST	AS PER PSSC 11 C
13	OPERATING TEMP. RANGE	-40°C TO +80°C
14	NOMINAL WEIGHT	0.27 kg
15	OPEN PORT IS FITTED WITH CLOSURE PLUG FOR STORAGE AND TRANSIT PURPOSES	

XVII	STEEL	NO TREATMENT
XVI	CAST IRON	PLATED
XV	STEEL	ZINC IRON PLATED
XIV	CAST IRON	NO TREATMENT
XIII	ZINC ALLOY	ANODISED
XII	PLASTIC	NO TREATMENT
XI	RUBBER	NO TREATMENT
X	STAINLESS STEEL	NO TREATMENT
IX	BRASS	NO TREATMENT
VIII	ZINC ALLOY	CHROMATED
VII	ALUMINIUM ALLOY	ANODISED
VI	ALUMINIUM ALLOY	CHROMATED
V	CAST IRON	PAINTED
IV	STEEL	POWDER COATED
III	STEEL	PAINTED
II	STEEL	PHOSPHATED
I	STEEL	ZINC PLATED
PART CODE	MATERIAL	SURFACE PROTECTION

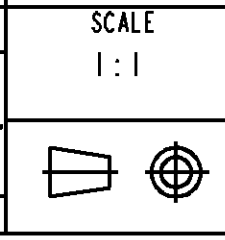
● CRITICAL
○ MAJOR
NO SYMBOL - MINOR

WABCO
AMBATTUR, CHENNAI - 600058, INDIA

SIGN	DATE	MATERIAL	----
DRN	RNK	15.03.11	ALTERNATE MATERIAL
CHD	RBS	15.03.11	SURFACE PROTECTION REFER TABLE
APD	SN	15.03.11	RAW PART No.

CONFIDENTIAL DRAWING
THIS DRAWING IS THE SOLE PROPERTY OF WABCO. IT SHOULD NOT BE COPIED OR COMMUNICATED TO ANY PERSON WITHOUT THE WRITTEN APPROVAL OF WABCO.
© 1987

GENERAL TOLERANCES			
RANGE OF NOMINAL DIMENSIONS (± mm)			
≤ 50	≤ 50	≤ 180	> 400
1	2	3	4
FORCE, POWER, PRESSURE etc. (± %)			
10			



AIR CYLINDER

PART No. M250340 GA