

PART No
M830630 GA

ENGINEERING CHANGES

No	DATE	REV	SIGN
----	------	-----	------

5924	20.6.89	New	
------	---------	-----	--

New issue.

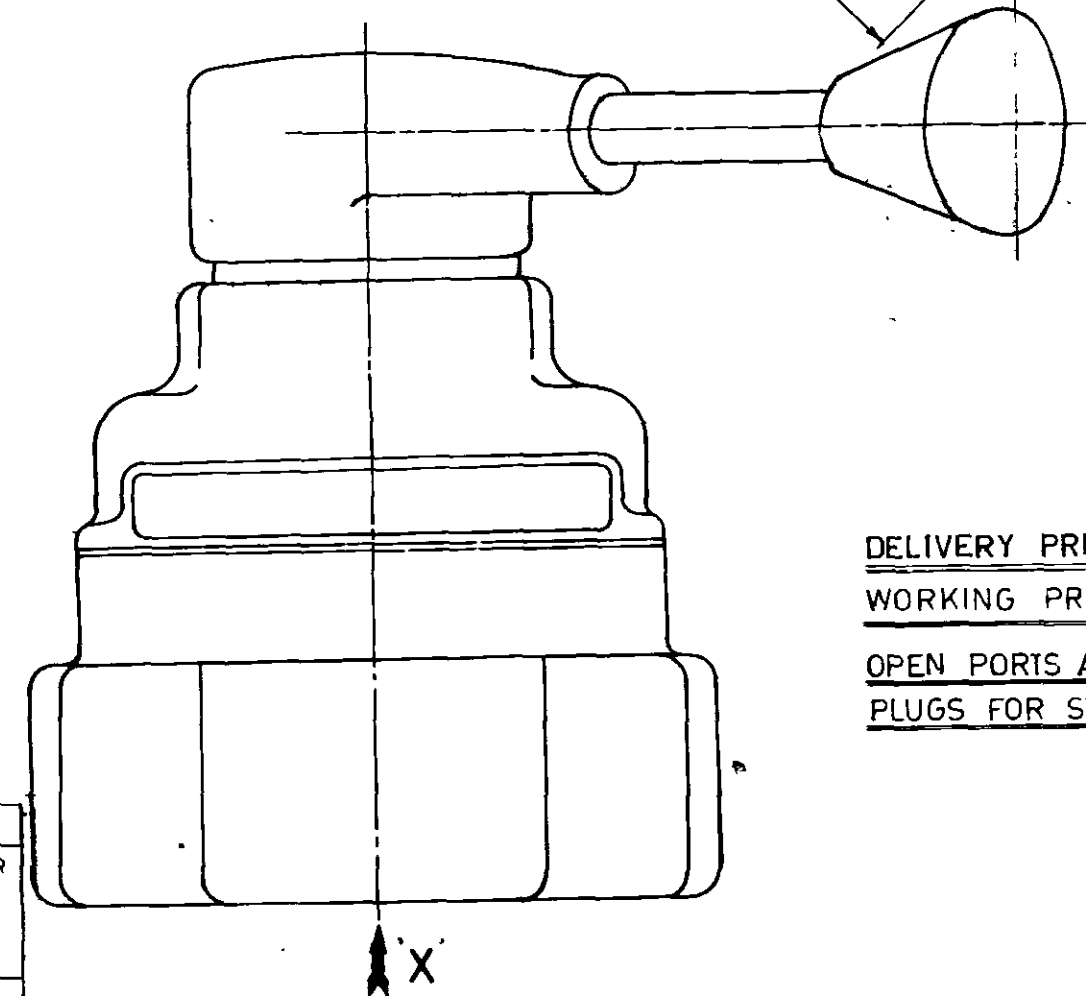
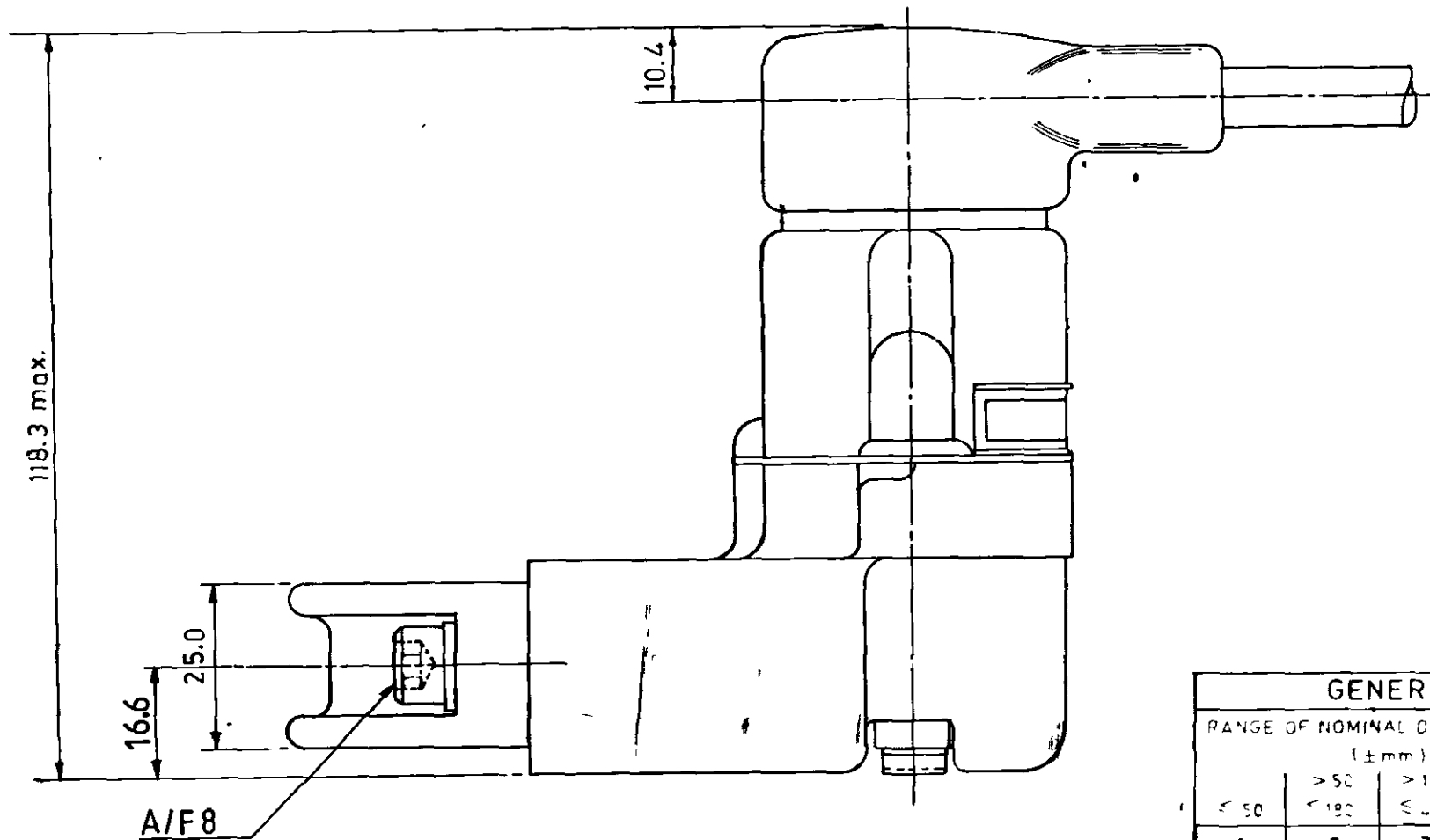
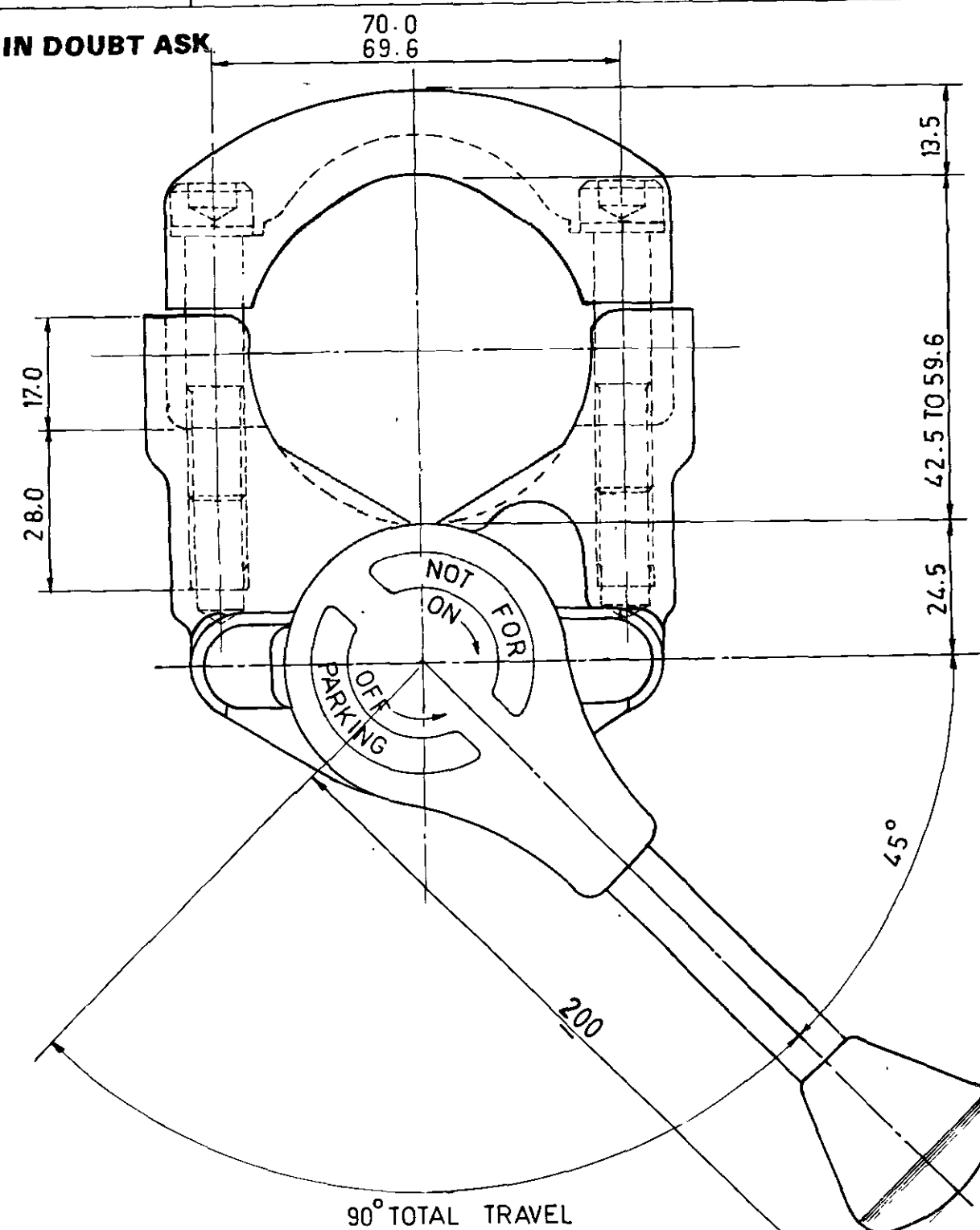
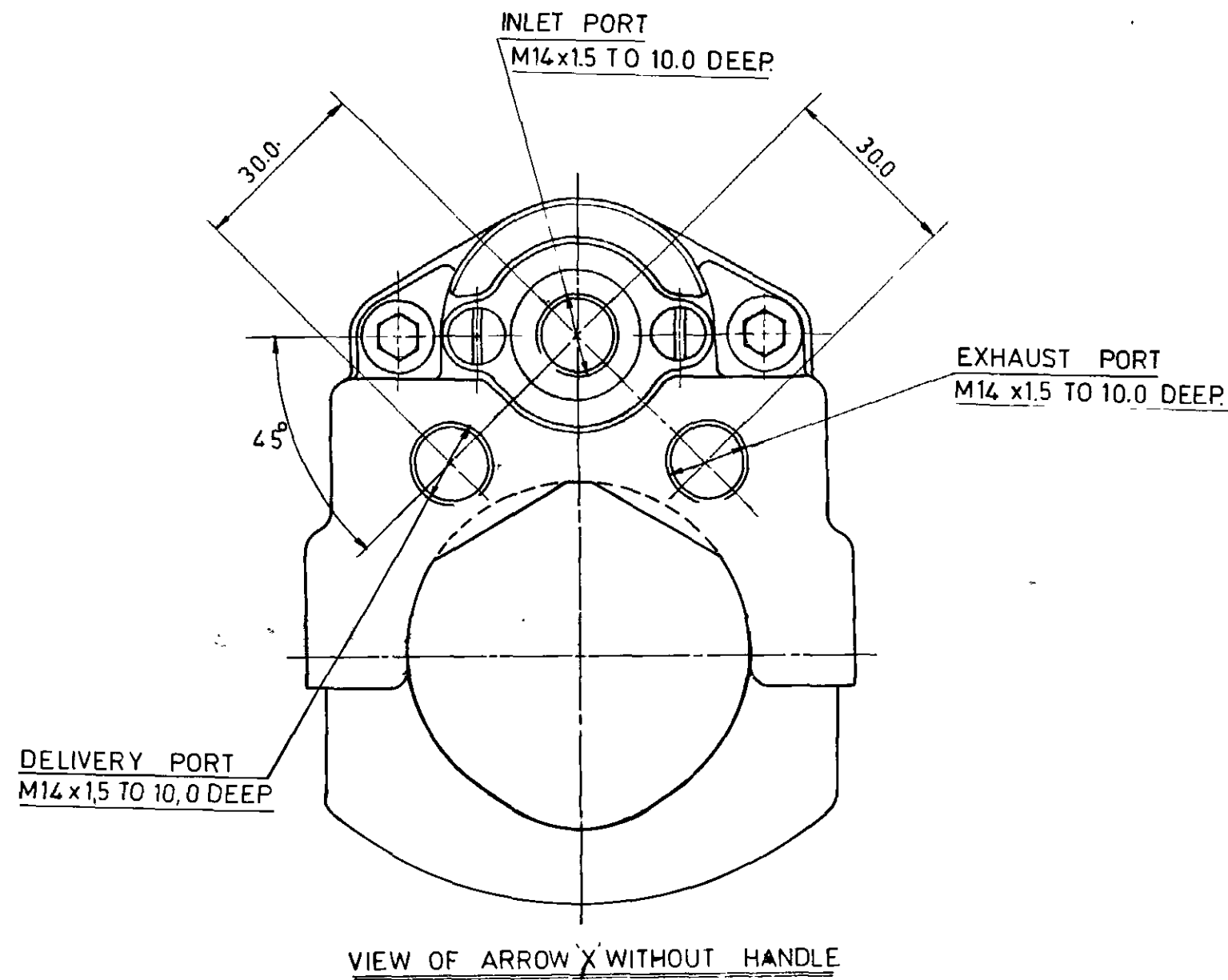
6937	25-1-94	1	
------	---------	---	--

Drg pictorially corrected inline with screw drg.

12083	16.03.11	2	RBS
-------	----------	---	-----

Drawing template WABCO was WABCO - TVS (INDIA) LTD. Drawing redrawn.

DO NOT SCALE. IF IN DOUBT ASK.



DELIVERY PRESSURE AT FULL TRAVEL 5.5 ± 0.5 bar
WORKING PRESSURE 8.2 bar max.
OPEN PORTS ARE FITTED WITH CLOSURE PLUGS FOR STORAGE AND TRANSIT PURPOSES

GENERAL TOLERANCES				
RANGE OF NOMINAL DIMENSIONS (± mm)		FORCE, POWER PRESSURE, etc (± %)		
≤ 50	> 50	± 0.1	± 0.15	± 0.2
> 50	> 180	± 0.15	± 0.2	± 0.25
> 180	> 430	± 0.2	± 0.25	± 0.3
> 430	> 1000	± 0.3	± 0.35	± 0.4

CONFIDENTIAL DRAWING
THIS DRAWING IS THE SOLE PROPERTY OF WABCO. IT SHOULD NOT BE COPIED OR COMMUNICATED TO ANY PERSON WITHOUT THE WRITTEN APPROVAL OF WABCO.

11'	SIGN	DATE
DRN.	EY	13.3
CHD.	RBS	13.3
APD.	SN	13.3
TRD.		

UNLESS OTHERWISE SPECIFIED ALL DIMENSION IN mm. REMOVE BURRS AND SHARP EDGES FROM FINISHED PARTS. ALL DIMENSIONS ARE AFTER SURFACE PROTECTION / TREATMENT
MALE THREAD TO IS 14962 (PART 3) 6H : 2001
FEMALE THREAD TO IS 14962 (PART 3) 6H : 2001

CAN BE MADE FROM		SCALE 1:1	
MAXIMUM TOLERANCES FOR OPEN DIMENSIONS			

WABCO

AMBATTUR, CHENNAI - 600058, INDIA

TYPE - T.C.2
HAND BRAKE VALVE

PART No.
M830630

GA