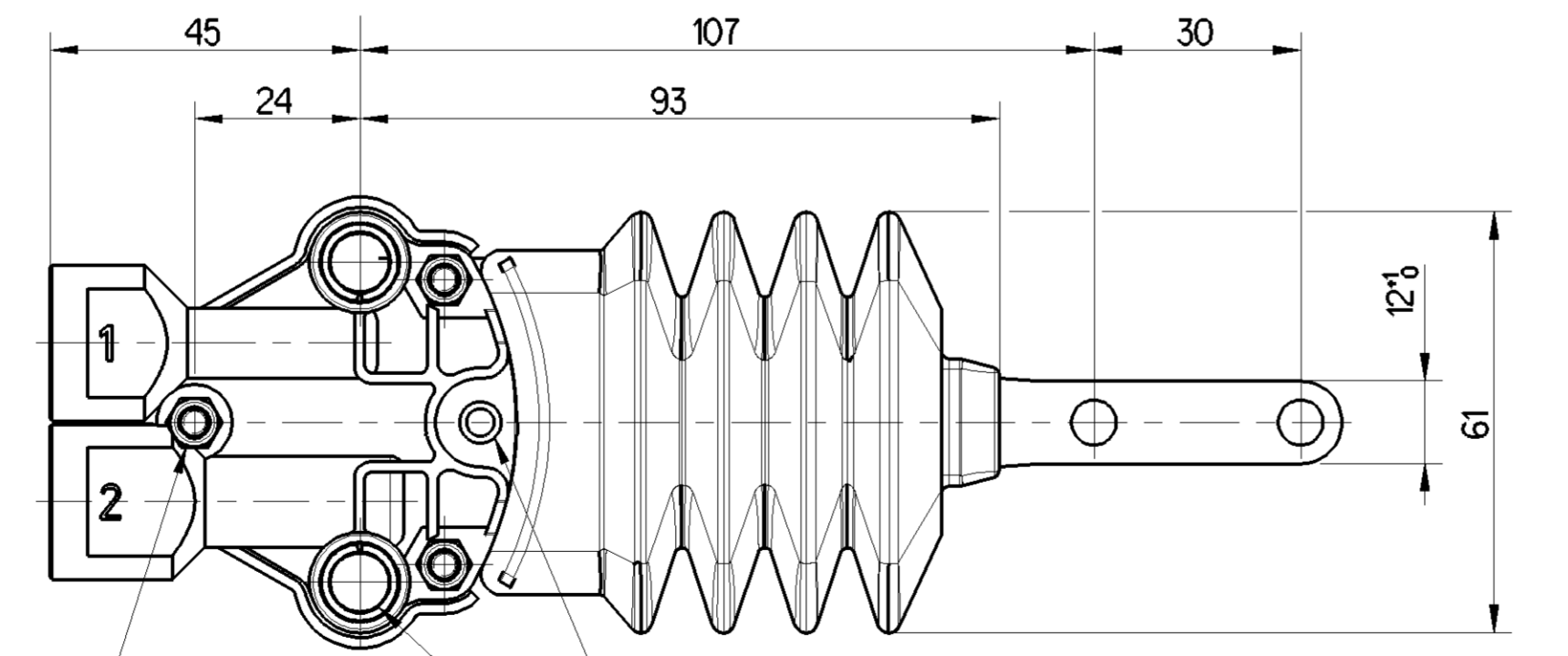
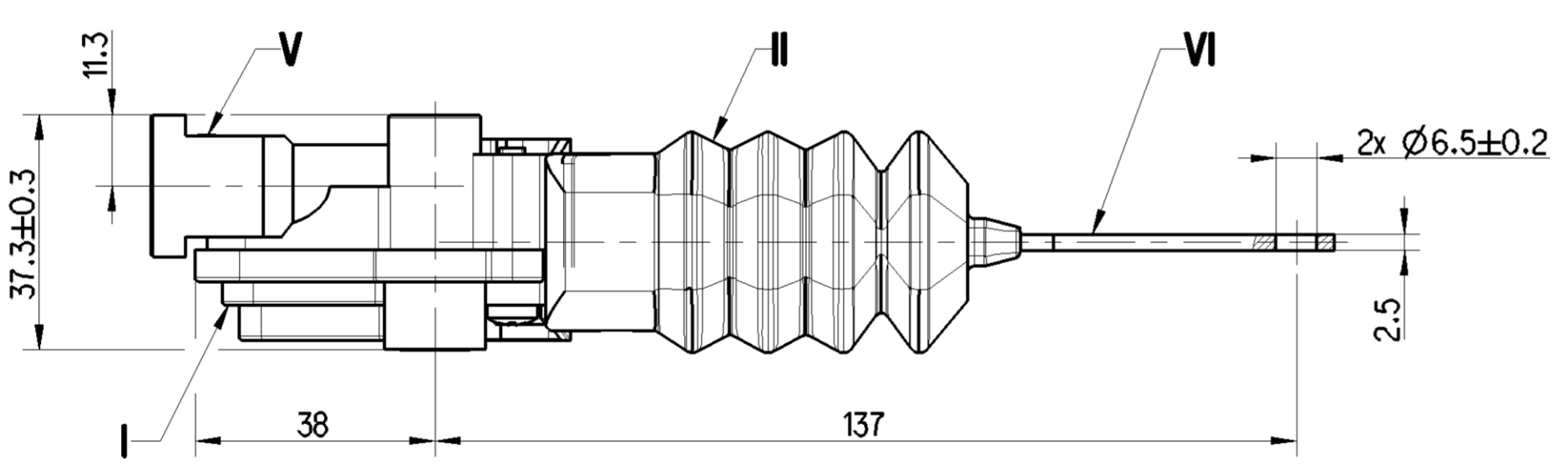
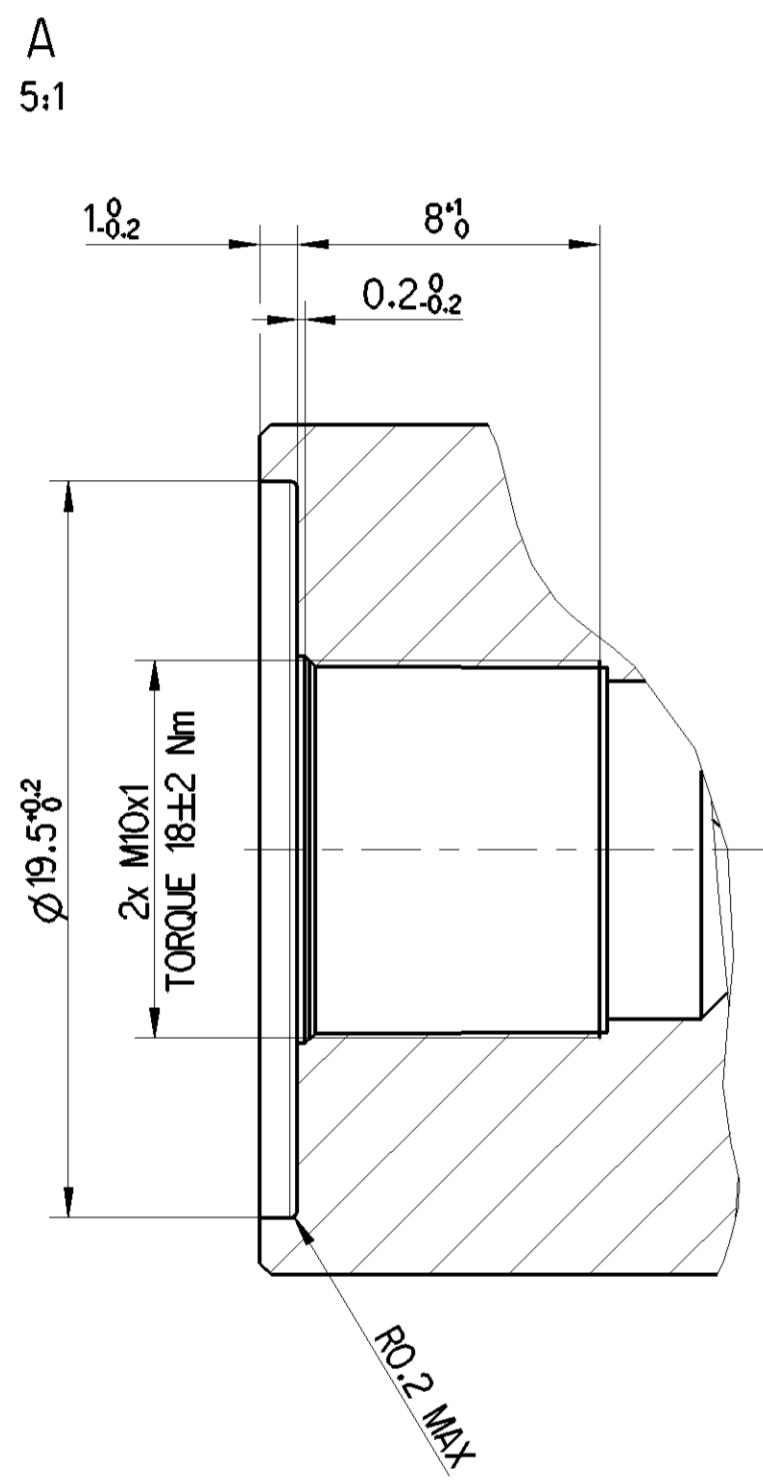
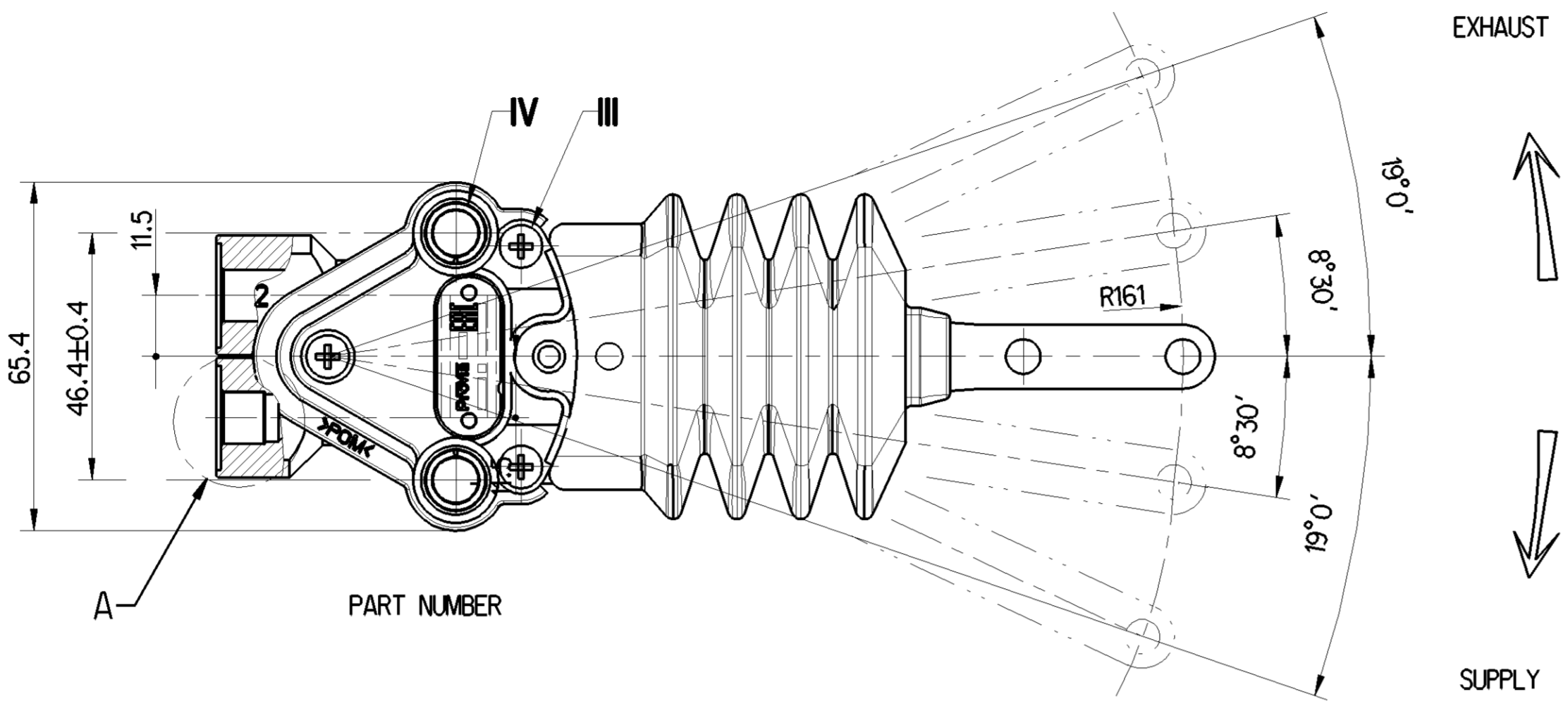
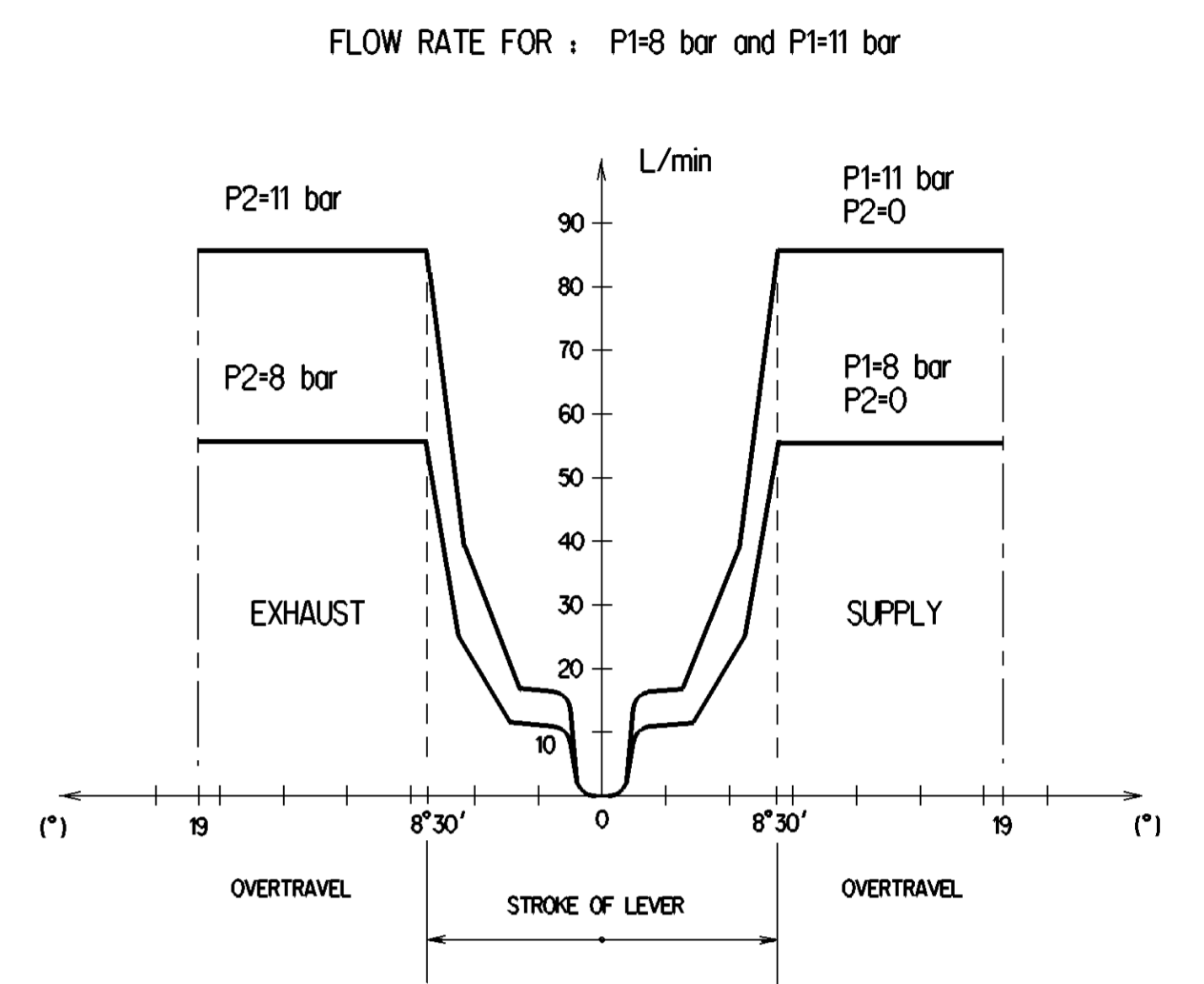
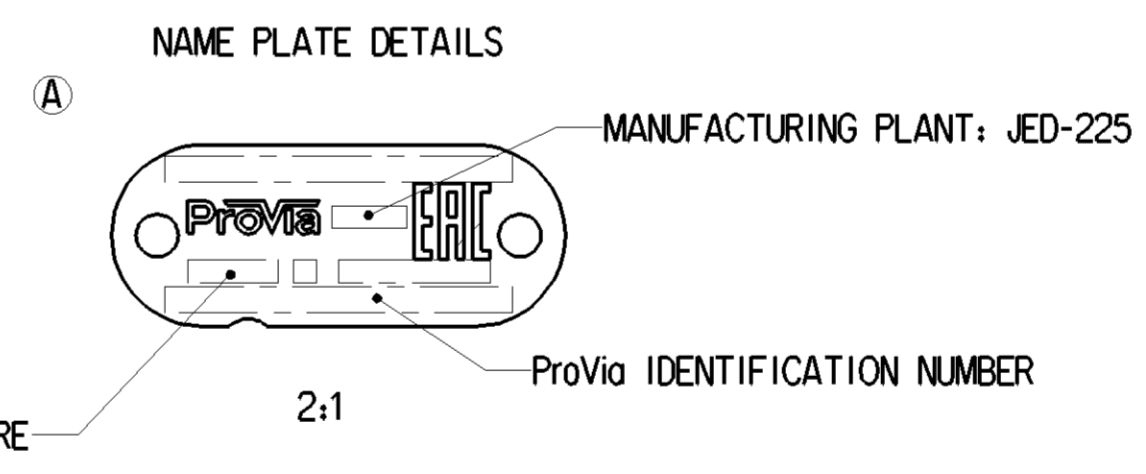


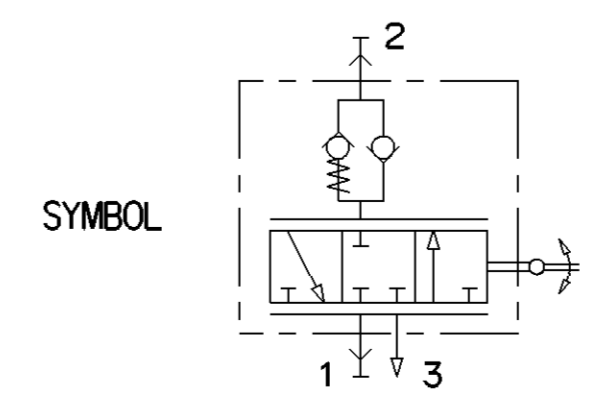
	MATERIAL	SURFACE PROTECTION
I	POM	
II	EPDM	
III	STEEL	Zn
IV	STEEL	Zn
V	Zn Alloy	Cr III
VI	STEEL	Zn
VII	STEEL	Zn



HOLE Ø4 TO PRE-INDEX IN MECHANICAL NEUTRAL POSITION
 Ø8.5±0.2 (2x), FIXING OF THE VALVE BY SCREW: M8
 TORQUE: 28 Nm MAX.



1	SUPPLY	
2	DELIVERY	
THERMAL RANGE		-40°C ... +80°C
WORKING PRESSURE		P1= 11 bar MAX.
EXCEPTIONAL INLET PRESSURE		P1= 14 bar MAX.
RESIDUAL PRESSURE		P2= 0.6±0.3 bar



General Specification: JED-334-1 - Size ISO 14405 LP

Copyright WABCO®

Doc. Code: O35 Sheet: 1 To 5

Date: 2018-09-24

Brand: Scovannon

Checked: 2018-09-24

Expert: BILSING THOMAS

Mass: 0.359 kg

Scale: 1:1

Size: A1

CAD System: CREO

Material No.: PRO 007 010 0

Date of first issue: 2016-12-05

Doc. Code: 005

Language: EN

Sheet: 1/1

Revision: 1

Techn. Resp.: 5642_AM

Replacement for: -

1) Tolerance Class Applied: Crossmarked

Non è permesso copiare o riprodurre questo documento, né utilizzare il contenuto a fini commerciali, senza permesso scritto dalla WABCO. È vietata espressamente la ristampa o l'uso non autorizzato. Toute réimpression ou utilisation non autorisée sans la permission de la WABCO est formellement interdite. Toute utilisation non autorisée sera considérée comme une violation des lois. All rights reserved. No part of this document may be reproduced, stored in a retrieval system, or transmitted, in any form or by any means, without the prior written permission of WABCO. This document is the subject of copyright.