

| MATERIAL AND SURFACE PROTECTION | |
|---------------------------------|-----------------------------------|
| I | JED-029 M1 / C JED-259-3 |
| II | PBT-GF black JED-352-1 |
| III | JED-051 M4 / JED-739-3 |
| IV | POM black JED-005 M1 |
| V | NBR JED-235 |
| VI | AL JED-077 M1 / JED-007-1 |
| VII | PET-GF black JED-357-1 |
| VIII | Fe JED-048 M1 / phos. / JED-731-6 |
| IX | JED-050-M1 / JED-739-3 |

MEDIUM: AIR
MEDIUM: LUFT
FLUIDE: AIR
FLUIDO: ARIA

THERMAL RANGE OF APPLICATION:
THERMISCHER ANWENDUNGSBEREICH:
GAMME D'APPLICATION THERMIQUE:
CAMPO DI APPLICAZIONE TERMICA:
-40° ... +80°C

NOMINAL DIAMETER
NENNWEITE
DIAMETRE NOMINAL
DIAMETRO NOMINALE

SUPPLY:
BELUEFTUNG:
ALIMENTATION:
ALIMENTAZIONE:

EXHAUST:
ENTLUEFTUNG:
ECHAPPEMENT:
SCARICO:

Ø10
Ø4

INSTALLATION POSITION AS DRAWN
EINBAULAGE WIE GEZEICHNET
POSITION D'INSTALLATION SUIVANT DESSIN
POSIZIONE DI MONTAGGIO COME DISEGNATO

±45°
±90°

PROTECTED
GESCHÜTZT
PROTEGES
PROTETTI

INLET PRESSURE
EINGESTEUERTER DRUCK
PRESSION D'ALIMENTATION
PRESSIONE DI ALIMENTAZIONE

pe max.=20bar

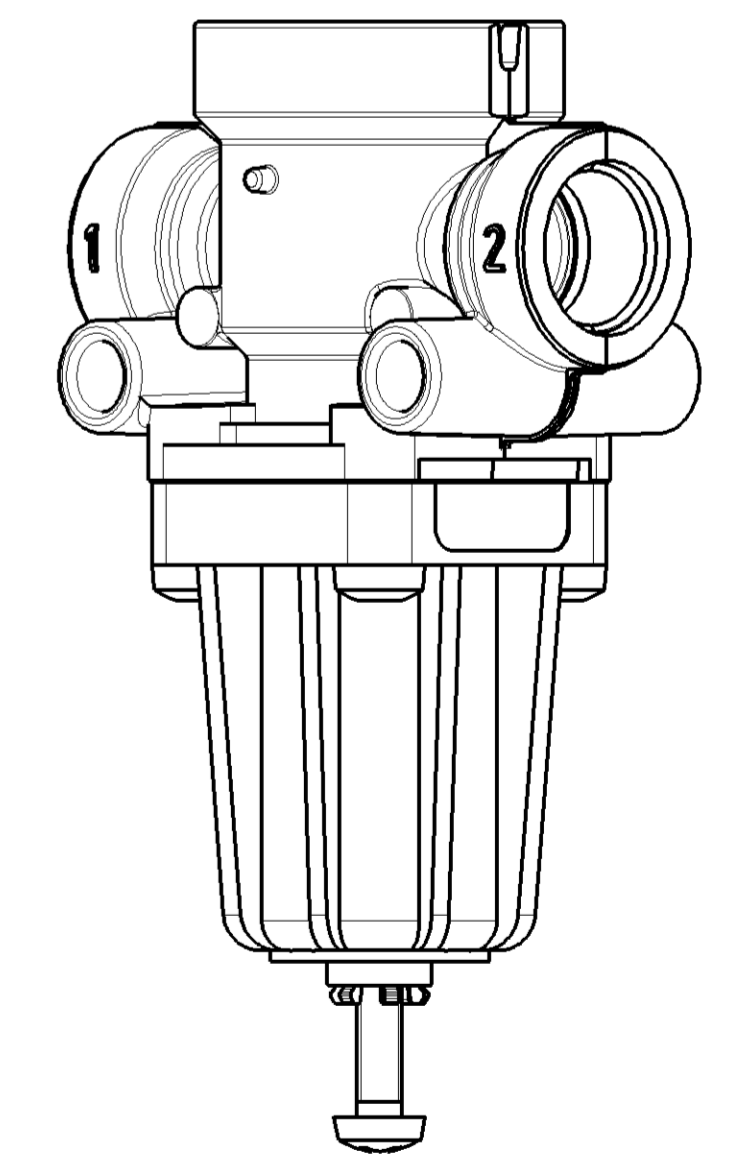
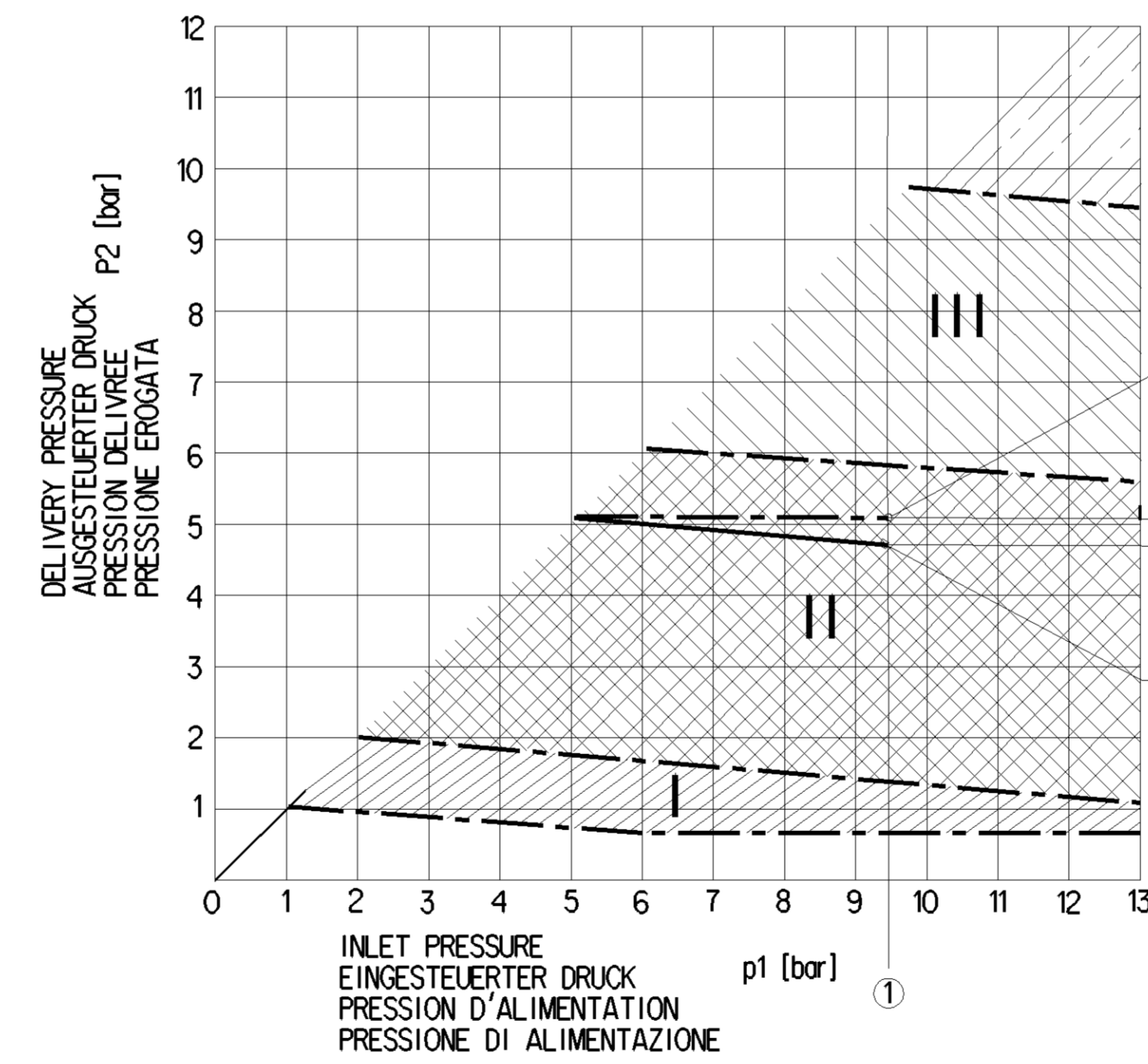
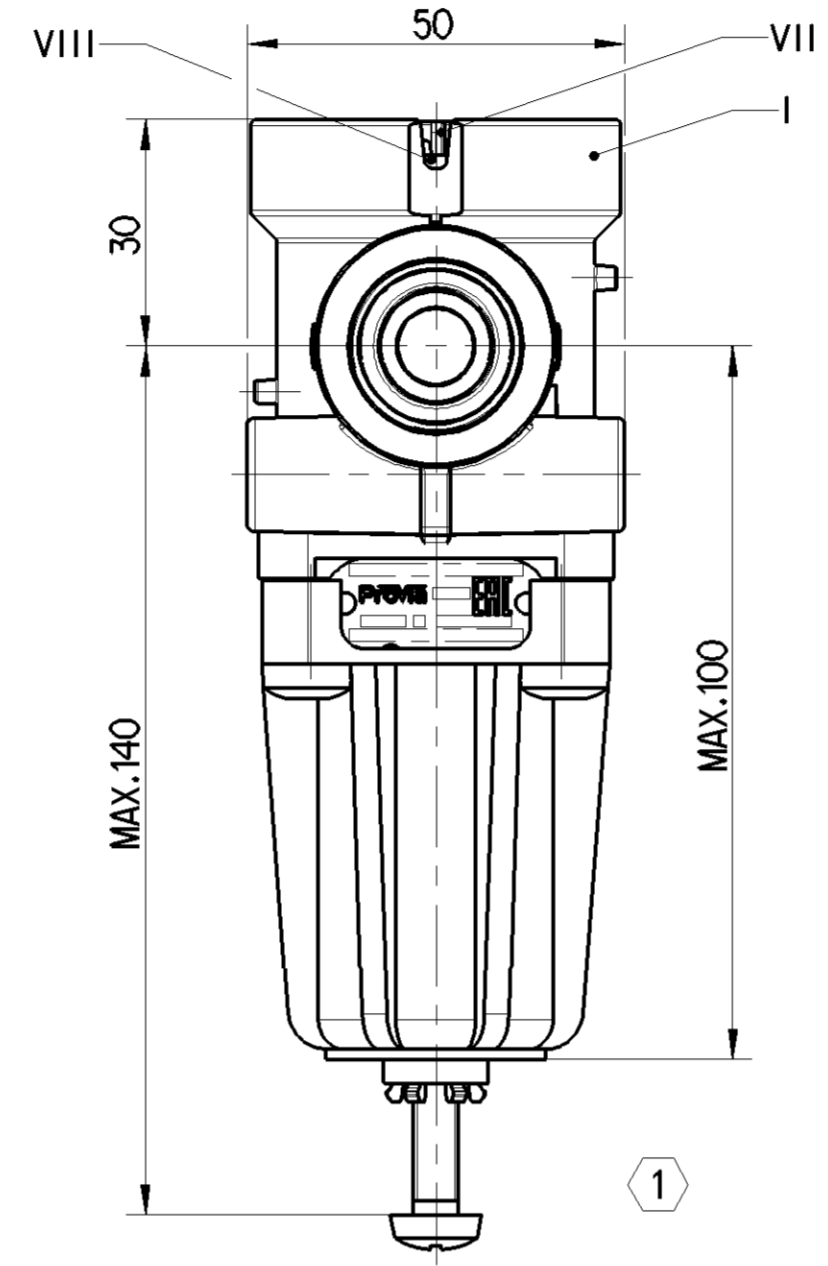
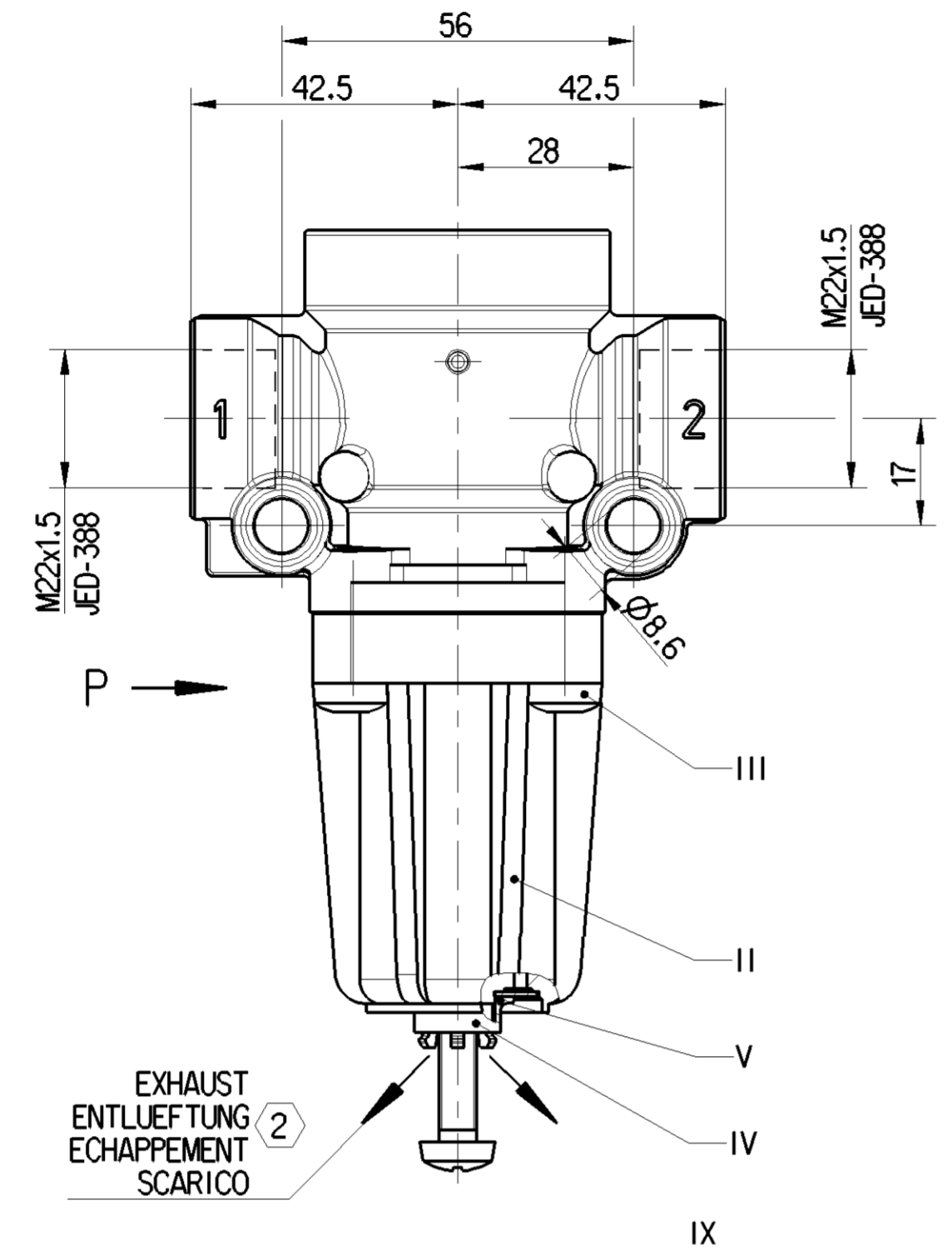
DELIVERY PRESSURE
AUSGESTEUERTER DRUCK
PRESSION DELIVREE
PRESSIONE EROGATA

TORQUE FOR CONNECTIONS:
ANZUGSMOMENT FUER EINSCHRAUBSTUTZEN:
COUPLE DE SERRAGE DES RACCORDS:
COPPIA DI SERRAGGIO DEI RACCORDI:

M22x1.5 : Mmax.=53 Nm

1 ADJUSTMENT MARKED WITH PAINT
EINSTELLUNG MIT LACK GEKENNZEICHNET
AJUSTAGE MARQUE AVEC VERNIS
REGOLAZIONE MARCATO CON VERNICE

2 EXHAUST FREE FROM PAINT
ENTLUEFTUNG FARBFREI
ECHAPPEMENT SANS PEINTURE
SCARICO SENZA VERNICE



PRESSURE LIMITATION BY FIRST DELIVERY
DRUCKBEGRENZUNG BEIM ERSTEN AUFFUELLEN
LIMITATION PENDANT UNE PREMIERE REMPLISSAGE
LIMITAZIONE COL PRIMO RIEMPIIMENTO

PRESSURE LIMITATION AFTER CONSUMPTION
DRUCKBEGRENZUNG NACH VERBRAUCH
LIMITATION APRES CONSOMMATION
LIMITAZIONE DOPO CONSUMO

MANUFACTURING PLANT:
PRODUKTIONSSTAETTE: JED-225
LIEU DE FABRICATION:
LUOGO DI FABRICAZIONE:

ADJUSTED PRESSURE
EINGESTELLTER DRUCK
PRESSION ADJUSTEE
PRESSIONE REGOLAZIONE

WEEK / YEAR OF MANUFACTURE
FERTIGUNGSWOCHE / JAHR
SEMAINE / ANNEE DE FABRICATION
SETTIMANA / ANNO DELLA FABRICAZIONE

ProVia IDENTIFICATION NUMBER
ProVia TEILE NUMMER
NUMERO D'IDENTIFICATION ProVia
NUMERO D'IDENTIFICAZIONE

IT IS FORBIDDEN TO ASSEMBLE THE PLV IF IT IS UNDERGONE A SHOCK BEFORE
ES IST VERBODEN DEN PLV ZU MONTIEREN, WENN ER ZUVOR AUF DEN BODEN GEFALLEN IST
IL EST INTERDIT D'ASSEMBLER UN PLV SI IL A SUBI UN CHOCK AUPARAVANT
E VIETATO DI CONGEGNARE UN PLV SE A SUBITO UN URTO PRIMA

| | | | |
|----------|-------------|------------|--|
| 10 | 7.0 +0.3/-0 | 0.4 | |
| ① | ② | ③ | RANGE OF ADJUSTMENT EINSTEELBEREICH GAMME DE REGLAGE CAMPO DI REGOLAZIONE |
| P1 [bar] | P2 [bar] | MAX. [bar] | |

| | | | |
|--|---------|------------------|-----------------|
| General Specifications: JED-334-1, Size ISO 14405 LP | | Copyright WABCO® | |
| Further Technical Data: | | Date | Signature |
| Doc. Code | Sheet | 2018-09-19 | Aswinkumar |
| General Tolerances JED-261 | | Checked | |
| Range of Nominal Dimensions (± mm) | | 2018-09-20 | Valloraso |
| Class | 1) ≤ 50 | 2) 50 > 180 | 3) 180 > 400 |
| Fine | 0.5 | 1.0 | 1.5 |
| Medium | 1.0 | 2.0 | 3.0 |
| Coarse | 2.0 | 3.5 | 5.0 |
| Tapped Holes acc. - | | Scale | Material No. |
| | | 0.394 | PRO 010 314 0 |
| | | 1:1 | 005 ML 1/1 |
| | | Size | Revision |
| | | A 1 | 1 |
| | | System | Techn. Resp. |
| | | CREO | 5160_AM |
| | | ECN No. | Replacement for |
| | | 177205 | |