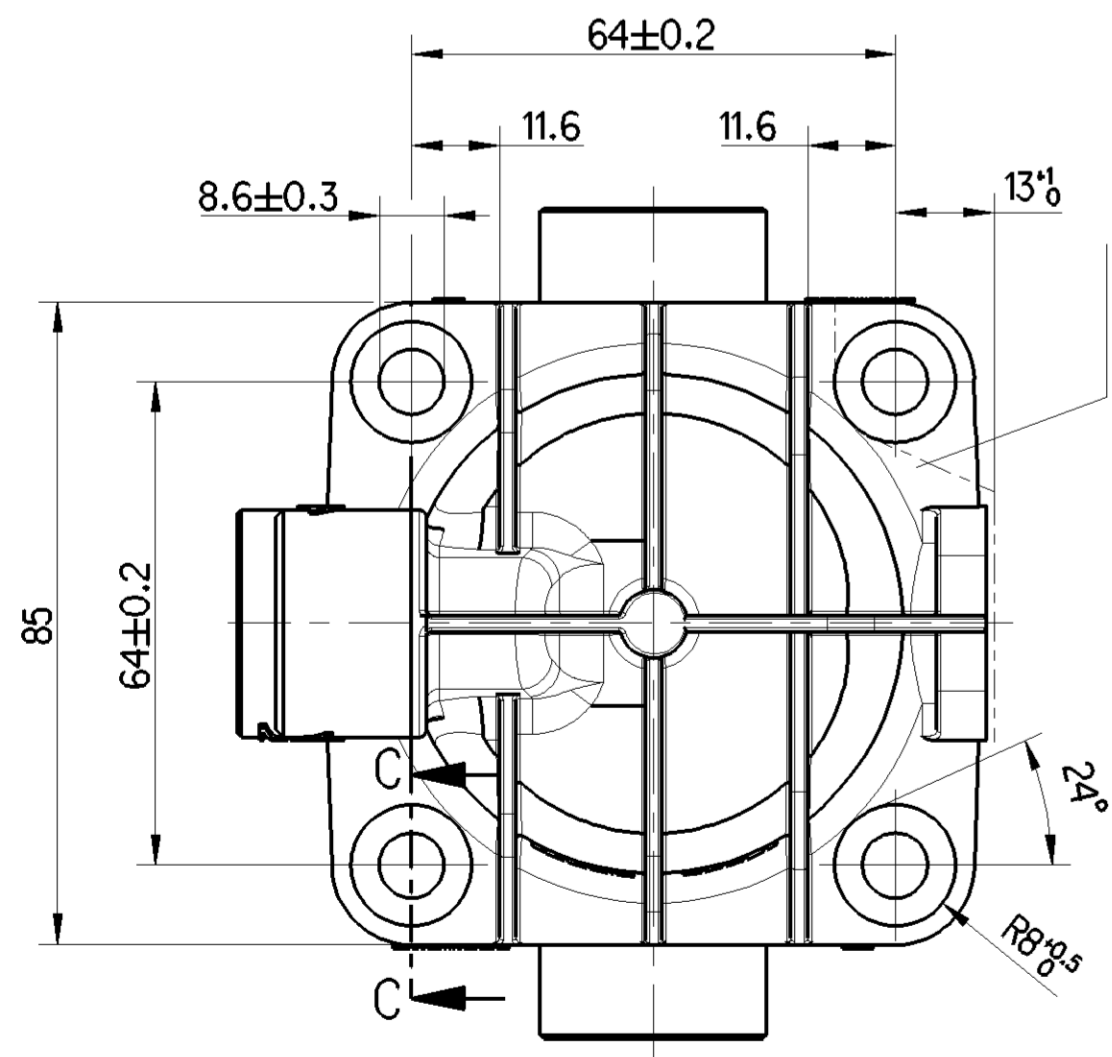
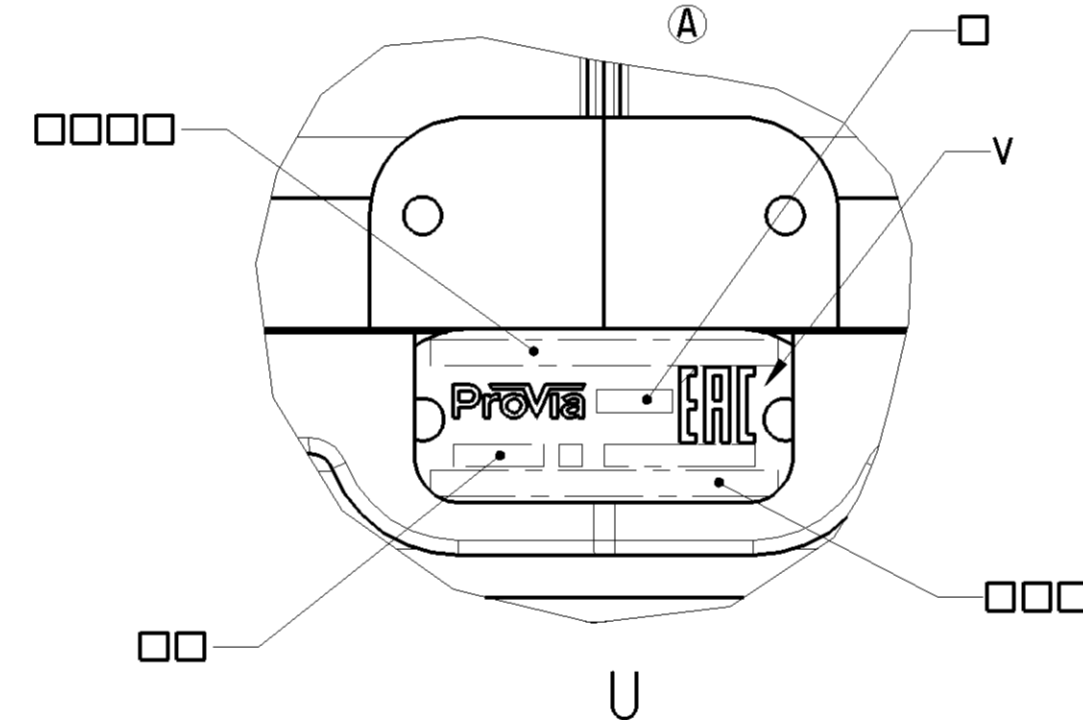
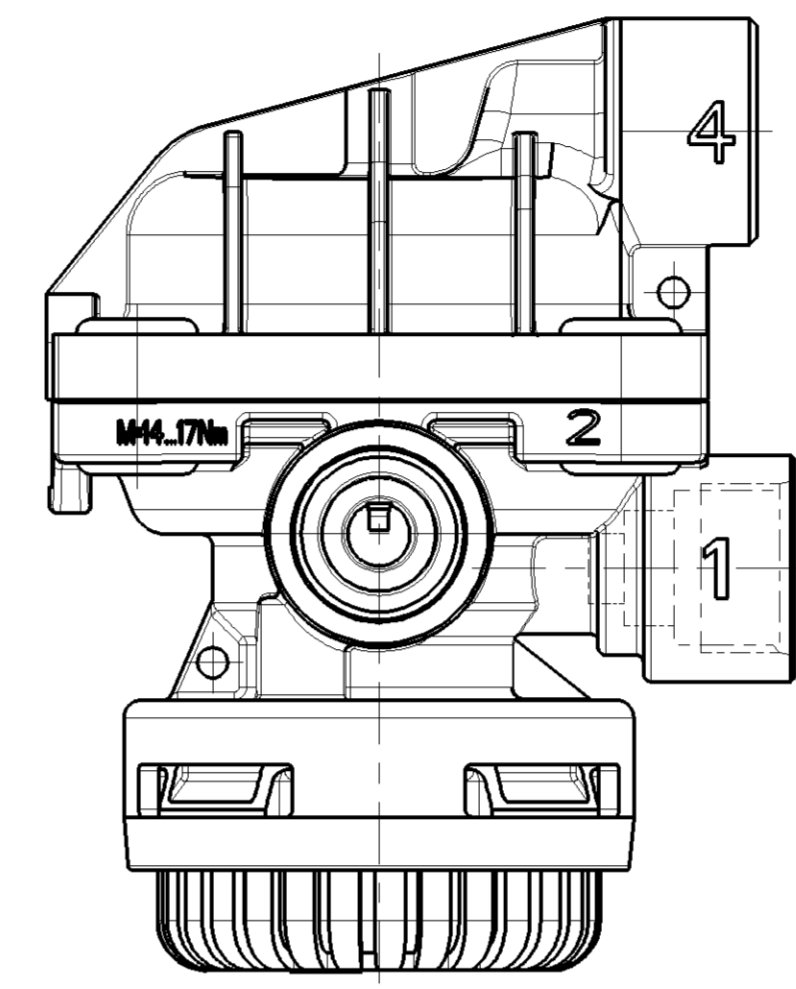
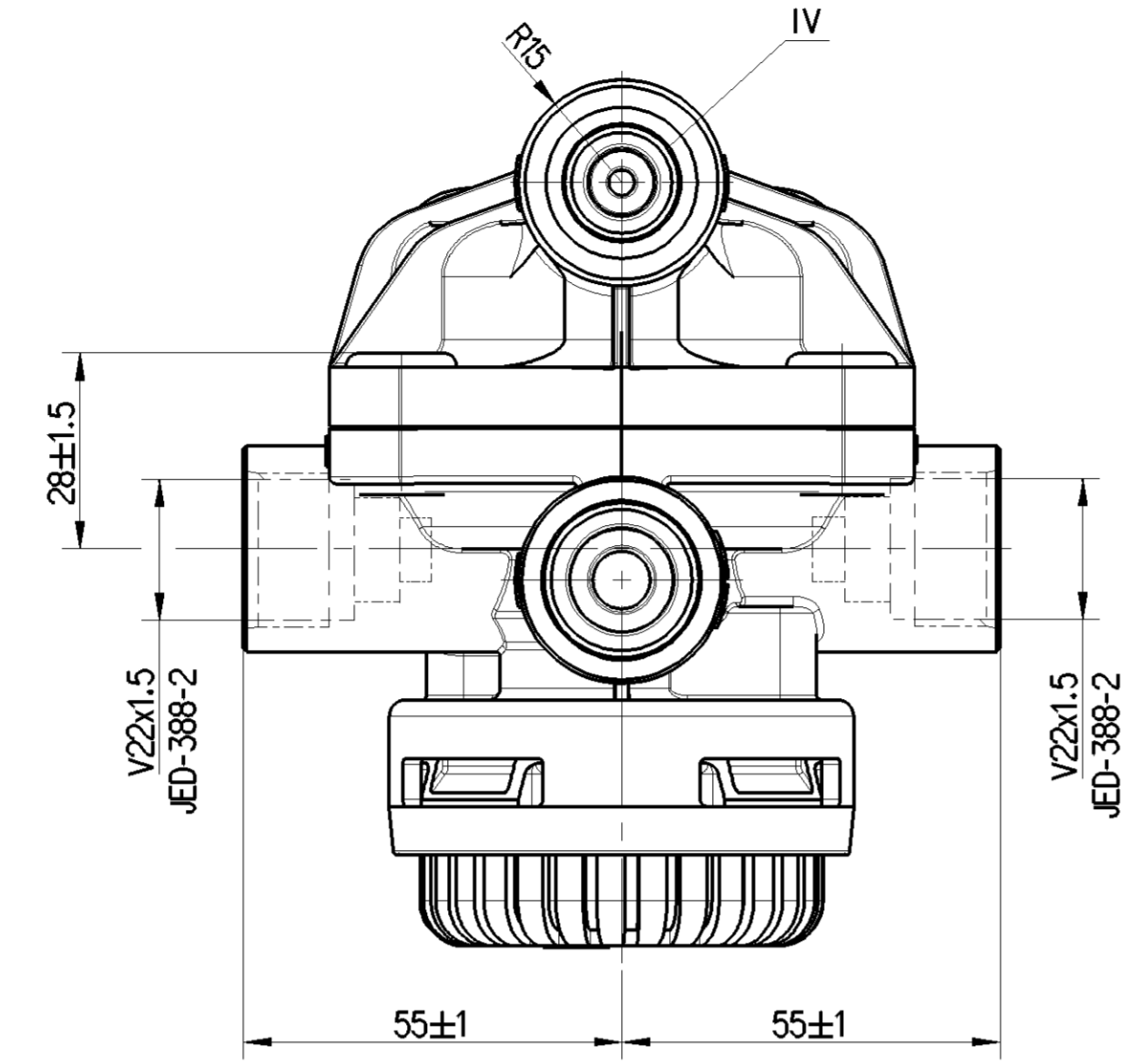
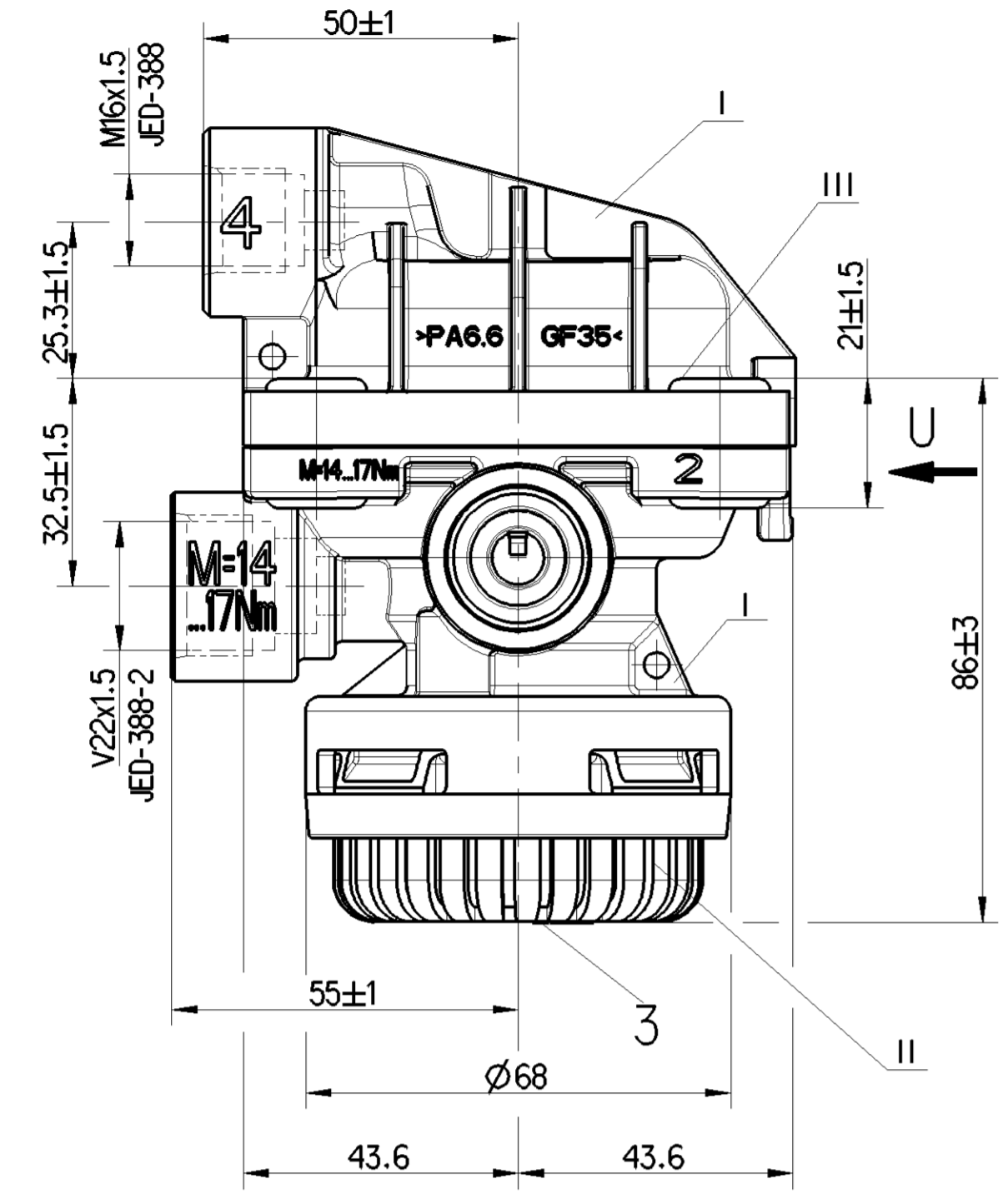
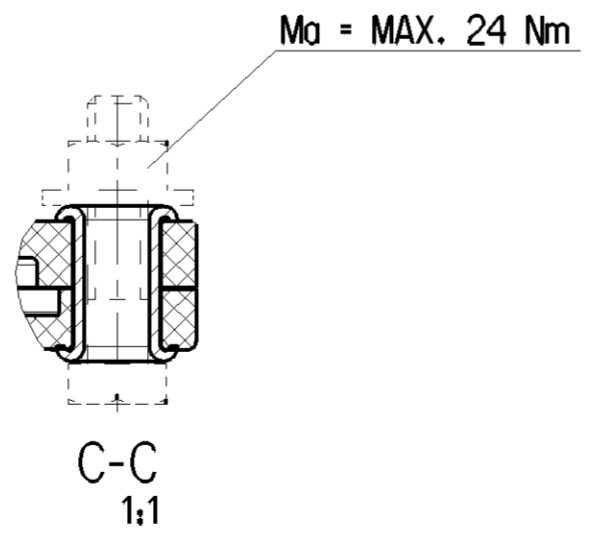


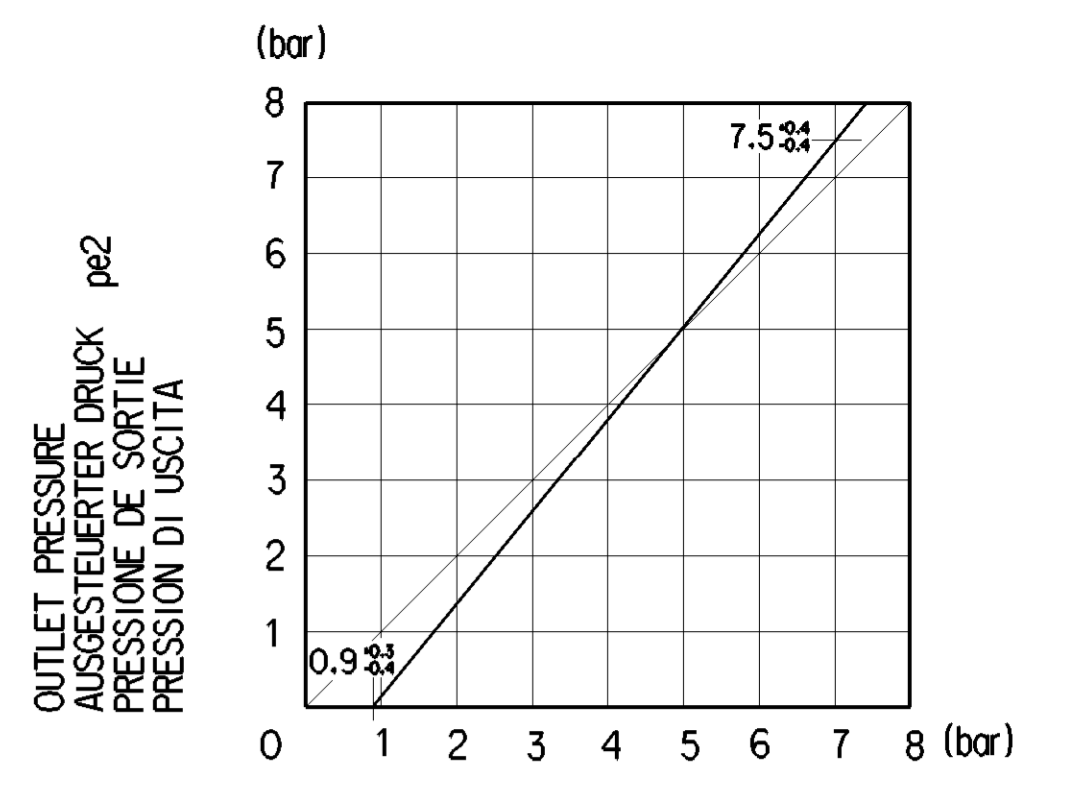
MATERIAL AND SURFACE PROTECTION	
I	JED-359-1/PA 6.6 GF 35%
II	JED-354-1/PA
III	JED-282-1/CuZn
IV	JED-035M/CuZn
V	JED-077-1/Al / JED-007-1



CONTOUR ON FASTENING  
KONTUR FUER BEFESTIGUNG  
PROFIL DE L' FIXATION  
CONTORNO RICALCATO SDI FISSAGGIO



- 1 SUPPLY VORRAT ALIMENTATION ALIMENTAZIONE
- 2 DELIVERY PRESSURE AUSGESTEUERTER DRUCK PRESSION DELIVREE PRESSIONE EROGATA
- 3 EXHAUST ENTLUEFTUNG ECHAPPEMENT SCARICO
- 4 CONTROL PRESSURE STEUERDRUCK PRESSION DE COMMANDE PRESSIONE DI COMANDO



MEDIUM :AIR  
MEDIUM :LUF  
FLUIDE :AIR  
FLUIDO :ARIA

NOMINAL DIAMETER :  
NENNWEITE : 78mm<sup>2</sup>-Ø10  
DIAMETRE NOMINAL :  
DIAMETRO NOMINALE :

THERMAL RANGE OF APPLICATION :  
THERMISCHER ANWENDUNGSBEREICH : -40°C...+80°C  
GAMME D'APPLICATION THERMIQUE :  
CAMPO TERMICO D'APPLICAZIONE :

MAX.PERMISSIBLE TORQUE :  
MAX.ZULAESSIGES ANZUGSMOMENT :  
MAXI.COUPLE DE SERRAGE ADMISSIBLE :  
MAX.COPPIA DI SERRAGGIO AMMISSIBILE :

PORT 1;2 : ANSCHLUSS 1;2 : 14...17 Nm  
ORIFICE 1;2 : ORIFIZIO 1;2 :

PORT 4 : ANSCHLUSS 4 : 14...17 Nm  
ORIFICE 4 : ORIFIZIO 4 :

INSTALLATION POSITION : EXHAUST SHOWN AT BASE (AXIS CENTRE OF THE DEVICE DEVIATES MAX.90° FROM VERTICAL)

EINBAULAGE : ENTLUEFTUNG NACH UNTEN (MITTELACHSE DES GERAETES MAX. 90° VON DER SENKRECHTEN ABWEICHEND)

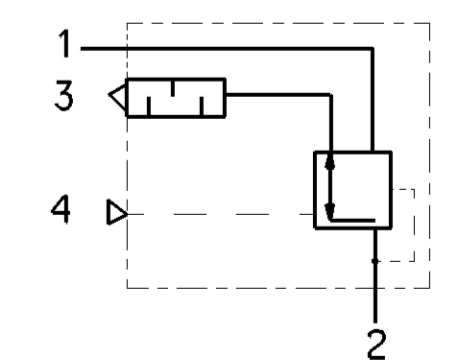
POSITION D'INSTALLATION : ECHAPPEMENT VERS LE BAS (ECART DE L'AXE MEDIAN DE L'APPAREIL PAR RAPPORT A LA VERTICALE; 90° MAX.)

POSIZIONE DI MONTAGGIO : SCARICO VERSO IL BASSO (DEVIAZIONE ASSE APPARECCHIO RISPETTO ALLA VERTICALE; MAX.90°)

WORKING PRESSURE :  
BETRIEBSDRUCK : pe = MAX.8.5 bar (TEMPORARILY KURZZEITIG pe = MAX.11 bar)  
PRESSION D'UTILISATION : (DE COURTE DUREE DE COURTE DUREE)  
PRESSIONE DI ESERCIZIO : (BREVE TEMPO SOLO BREVE TEMPO SOLO)

TENSION FREE MOUNTING OF THE LINES  
SPANNUNGSFREIE MONTAGE DER LEITUNGEN  
MONTAGE DES CONDUITES EXEMPT DE TENSION  
FISSAGGIO DEI CONDOTTI SENZA TENSIONE

- MANUFACTURING PLANT : PRODUKTIONSSTAETTE : JED-225
- LIEU DE FABRICATION : LUOGO DI FABBRICAZIONE :
- WEEK / YEAR OF MANUFACTURE FERTIGUNGSWOCHE / -JAHR SEMAINE / ANNEE DE FABRICATION SETTIMANA / ANNO DELLA FABBRICAZIONE
- PROVIA-DEVICE NUMBER PROVIA-GERAETE NUMBER PROVIA-NUMERO D'APPAREIL PROVIA-NUMERO CODICE DELL APPARECCHIO
- CUSTOMER NO. / ZGS KUNDEN-NR. KZ / ZGS NO CLIENT / ZGS NO CLIENTE / ZGS



General Specification: JED-354-1 - Size ISO 14405 LP	Copyright WABCO®	<b>ProVia</b>	
Further Technical Data: PRO 011 003 0	Date: 2018-09-20	RELAY VALVE	
Doc. Code: 035	Sheet: 1 To 5	RELAISVENTIL	
General Tolerances JED-261	Classified	VALVE RELAIS	
Range of Nominal Dimensions (± mm)	Expert	VALVOLA RELE	
Class 1) < 50 > 50 < 180 > 180 < 400 > 400	Material No.	PRO 011 003 0	
Fine 0.5 1.0 1.5 2.0	Scale	Date of first issue: 2016-03-16	
Medium X 1.0 2.0 3.0 4.0 ±3°	Mass	Doc.Code Language Sheet	
Coarse 2.0 3.5 5.0 6.5	1:1	005 ML 1/1	
Size CAD System	A 1 CREO	ECHO-No. Revision Techn. Resp.	
Tapped Holes acc.	177205 1 A 5220_AM	Replacement for	
1) Tolerance Class Applied Crossmarked	100mm		